

[54] ADJUSTABLE LIGHT

3,803,400 4/1974 Ozawa ..... 362/372

[75] Inventors: Herbert E. Seymour, Chatsworth; Philip Sacks, Van Nuys, both of Calif.

Primary Examiner—Susan J. Lucas  
Attorney, Agent, or Firm—Flam & Flam

[73] Assignee: Xantech Corporation, North Hollywood, Calif.

[57] CLAIM

The ornamental design for adjustable light, substantially as shown and described.

[\*\*] Term: 14 Years

DESCRIPTION

[21] Appl. No.: 404,576

FIG. 1 is a perspective view of a adjustable light incorporating our new design;

[22] Filed: Aug. 2, 1982

FIGS. 2, 3, 4 and 5 are, respectively, front, left side, right side and rear elevational views thereof on an enlarged scale;

[51] Int. Cl. .... D26—05

[52] U.S. Cl. .... D26/74; D26/63

[58] Field of Search ..... D26/28, 29, 63, 74; 362/74, 250, 269, 285, 364, 371, 372

FIGS. 6 and 7 are, respectively, top and bottom plan views thereof on an enlarged scale;

FIG. 8 is a side elevational view thereof on a greatly enlarged scale, taken partly in section along planes corresponding to line 8—8 of FIG. 7;

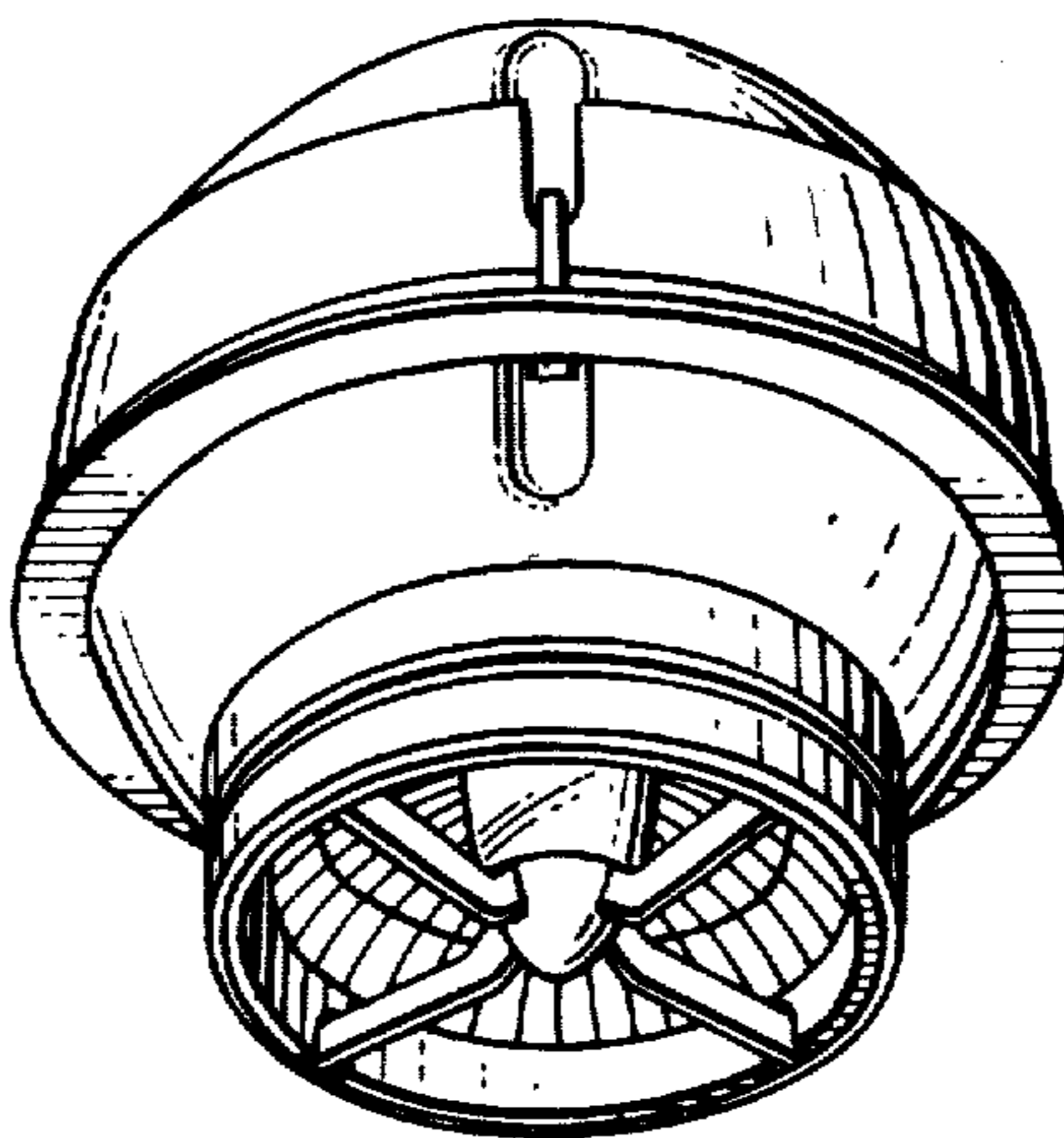
[56] References Cited

U.S. PATENT DOCUMENTS

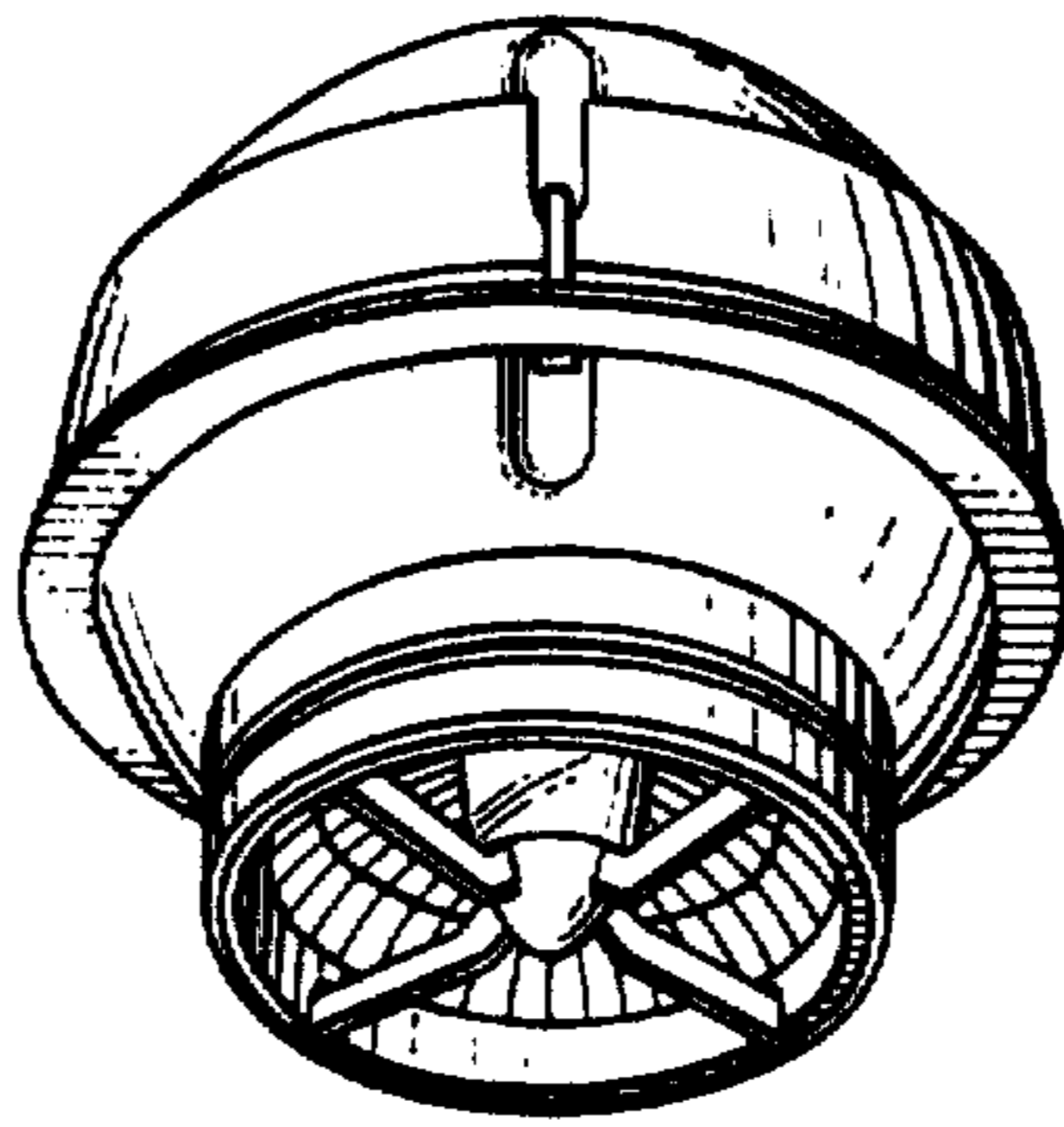
D. 160,640	10/1950	Mageoch	.....	D26/74
2,499,250	2/1950	Kasher	.....	362/269
2,554,258	5/1951	Lundquist	.....	362/364
2,654,830	10/1953	Runge et al.	.....	362/269
2,782,295	2/1957	Schwenkler	.....	362/372 X

FIG. 9 is a perspective view thereof on a reduced scale, the mounting panel being shown in broken lines for illustrative purposes only.

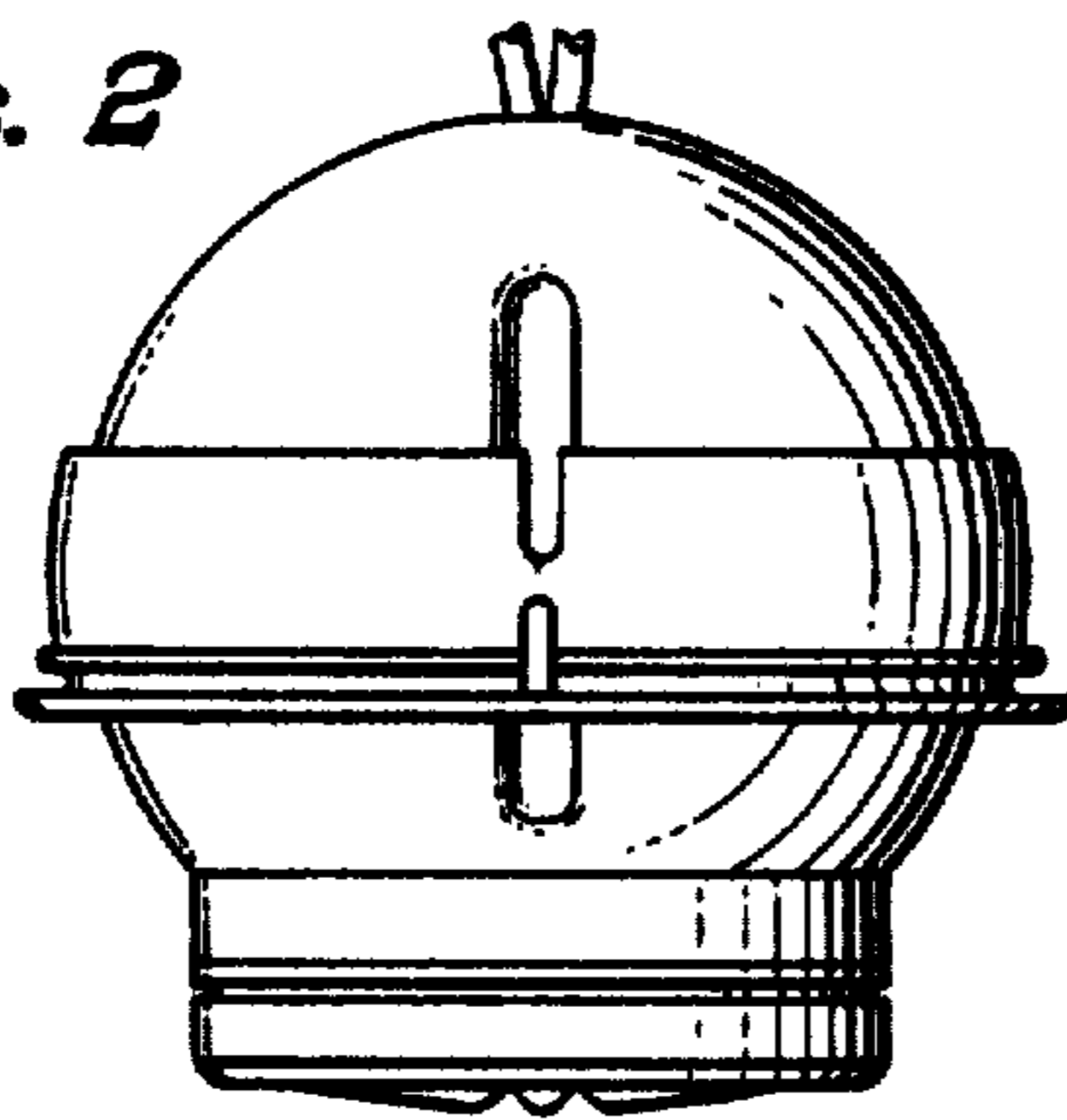
The characteristic features of our design comprise those elements which are exposed to view when in use, such as illustrated in FIG. 9.



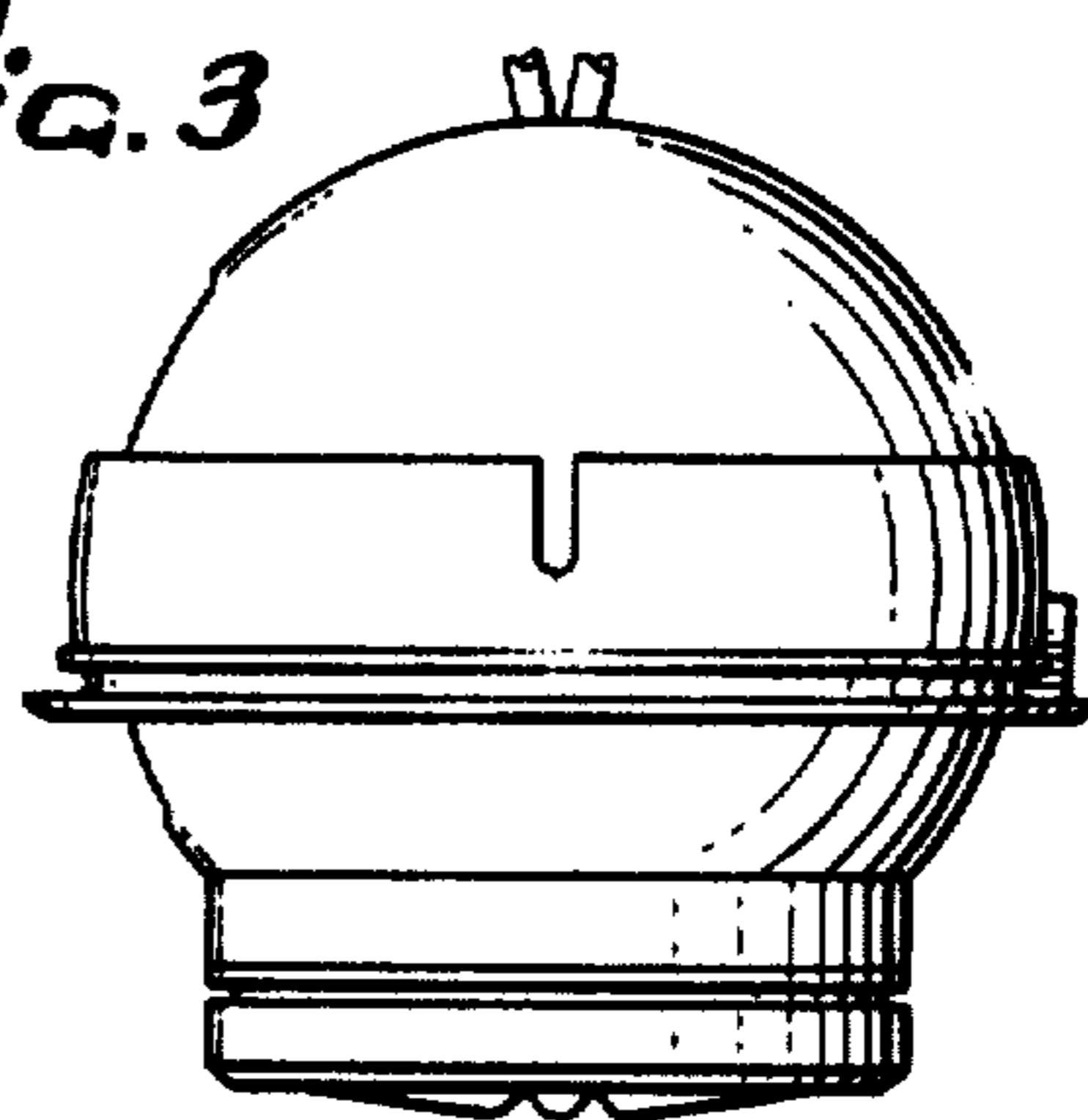
*Fig. 1*



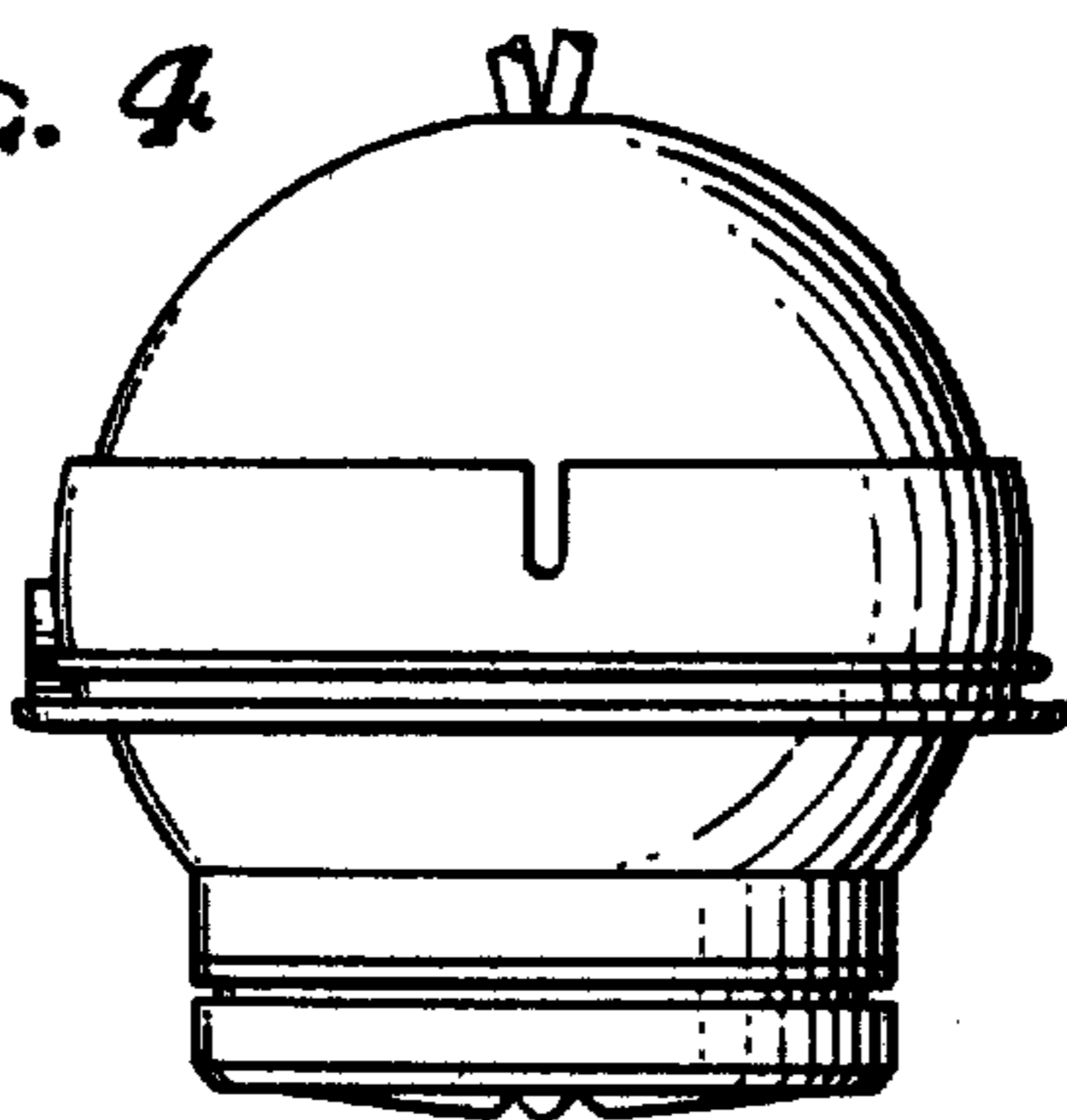
*Fig. 2*



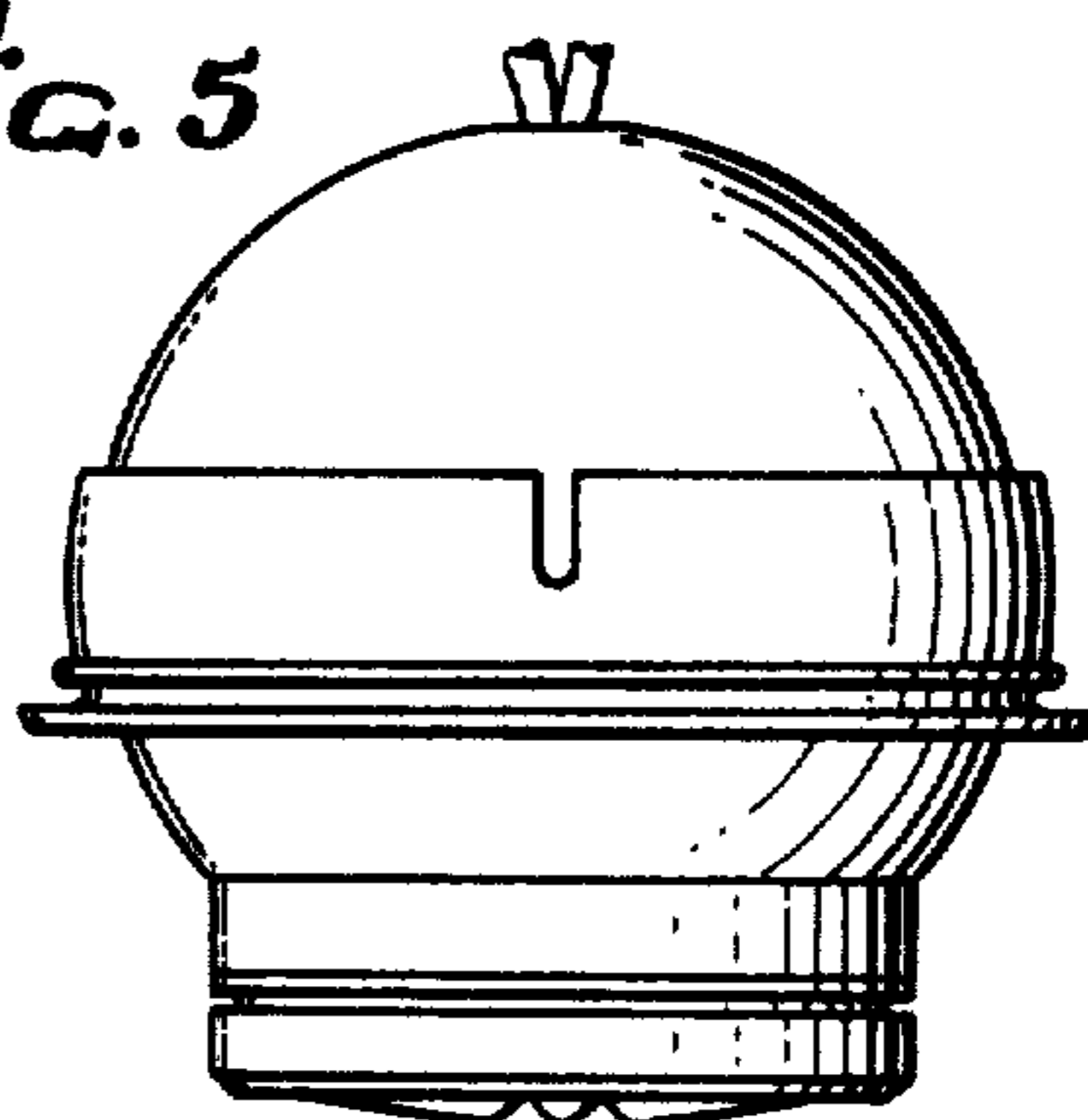
*Fig. 3*



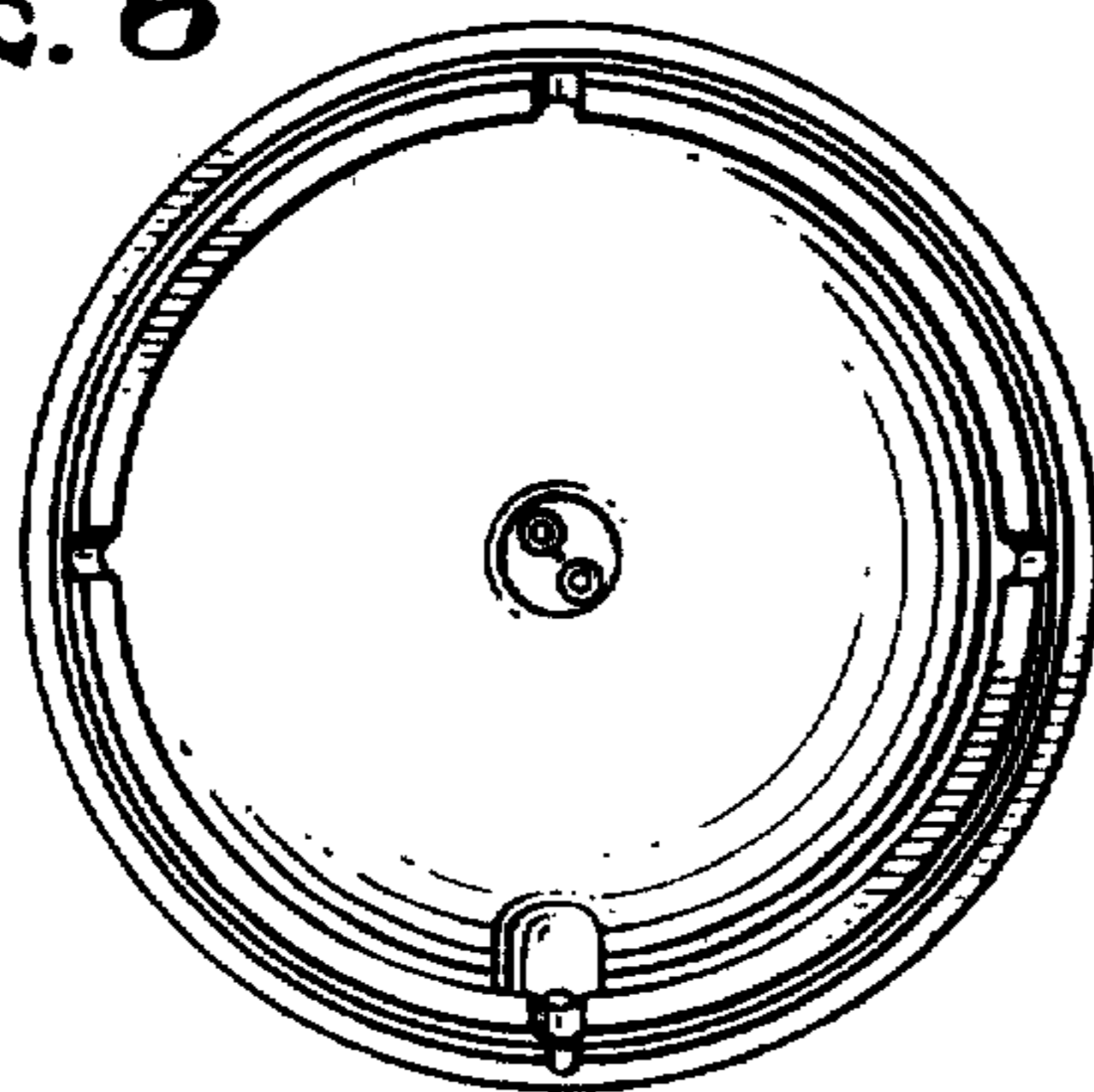
*Fig. 4*



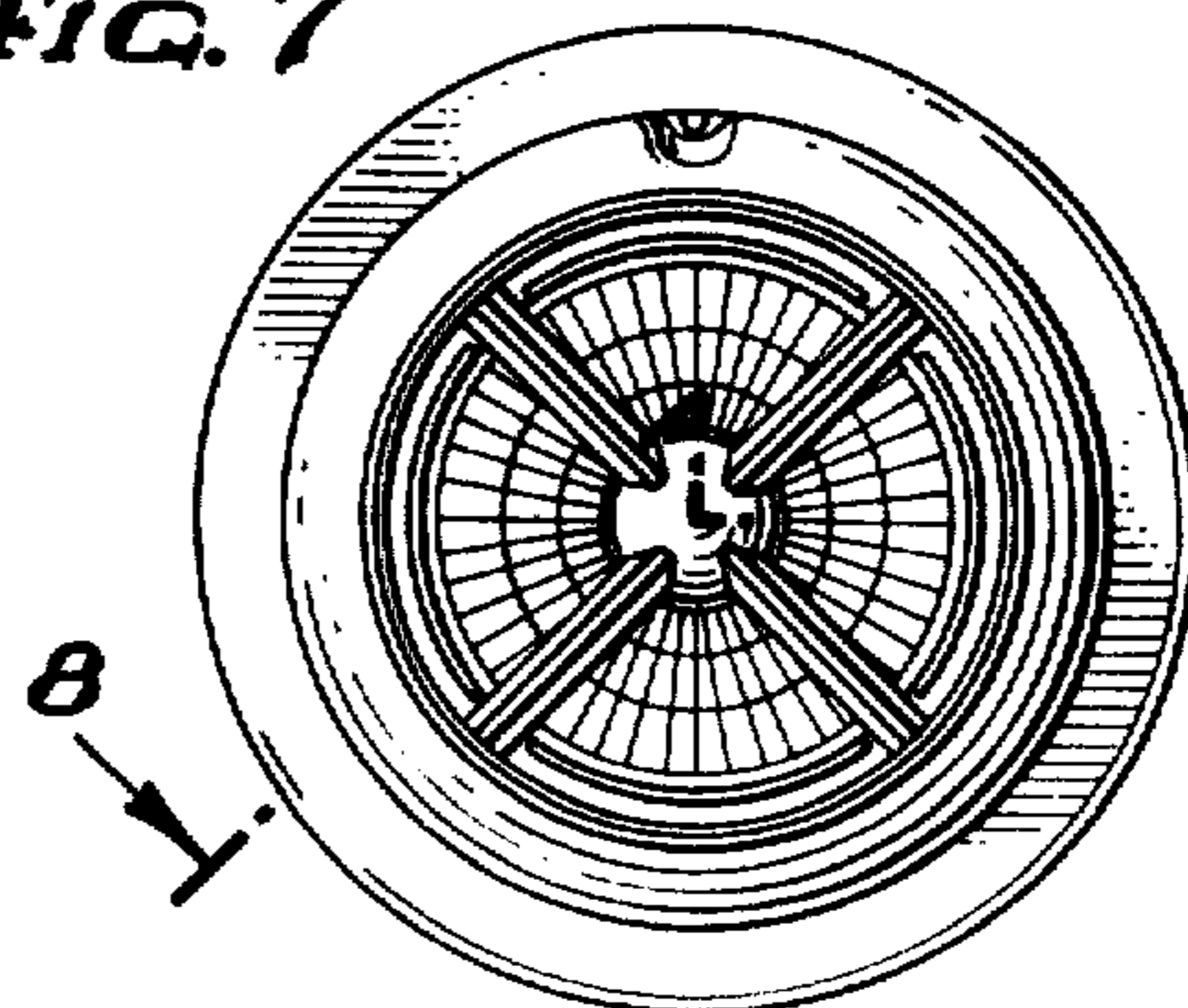
*Fig. 5*



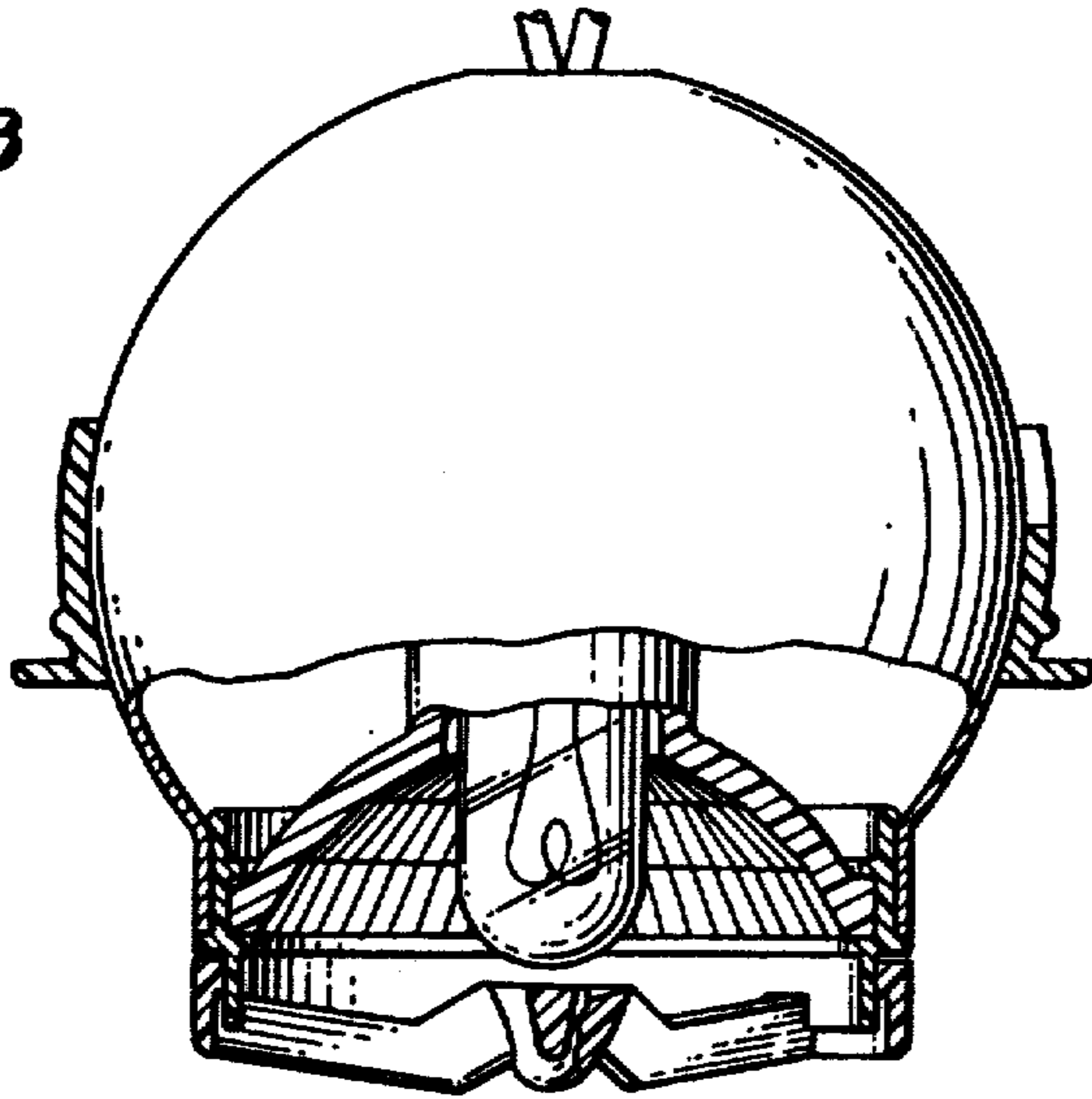
*Fig. 6*



*Fig. 7*



*Fig. 8*



*Fig. 9*

