

[54] LUMINAIRE

[75] Inventor: Hendrik A. J. deVos, Swansea, Mass.

[73] Assignee: GTE Products Corporation, Stamford, Conn.

[\*\*] Term: 14 Years

[21] Appl. No.: 240,448

[22] Filed: Mar. 4, 1981

[51] Int. Cl. .... D26-03

[52] U.S. Cl. .... D26/24

[58] Field of Search ..... 362/227, 235, 240, 277, 362/296, 297, 300, 311, 362, 431; D26/24, 67, 68, 69, 70, 71

[56] References Cited PUBLICATIONS

General Electric Decashield® Luminaire Ad. GEA-10312, 1976, Exterior Luminaire. Lighting Design and Application, Jan. 1980, p. 54, Outdoor Luminaire, lower center of page.

Primary Examiner—Susan J. Lucas Attorney, Agent, or Firm—Lawrence R. Fraley

[57] CLAIM

The ornamental design for a luminaire, as shown and described.

DESCRIPTION

FIG. 1 is a perspective view of a luminaire, showing my new design;

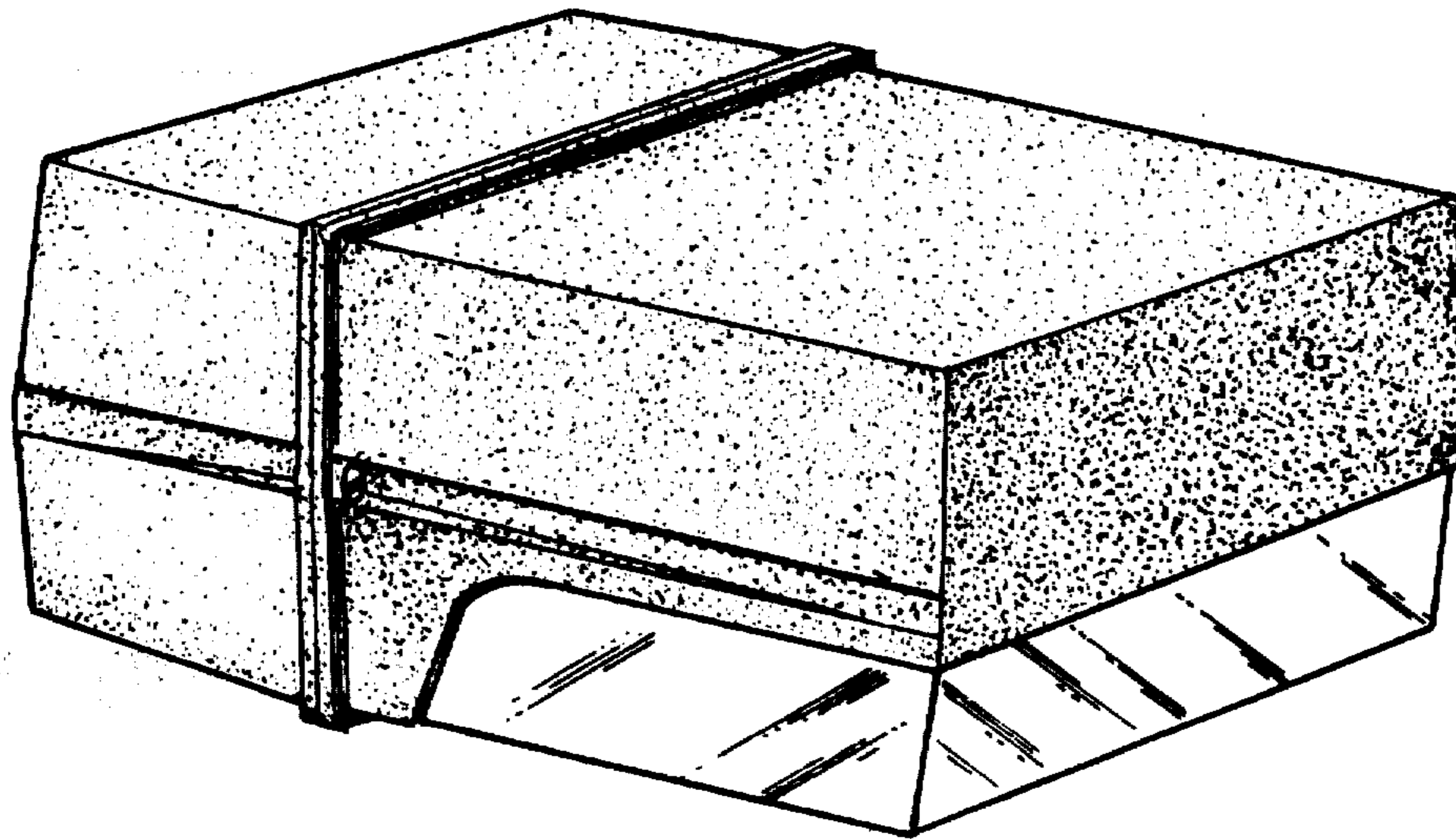
FIG. 2 is a front elevational view thereof;

FIG. 3 is a rear elevational view thereof;

FIG. 4 is a side elevational view thereof;

FIG. 5 is a top plan view thereof; and

FIG. 6 is a bottom plan view thereof.



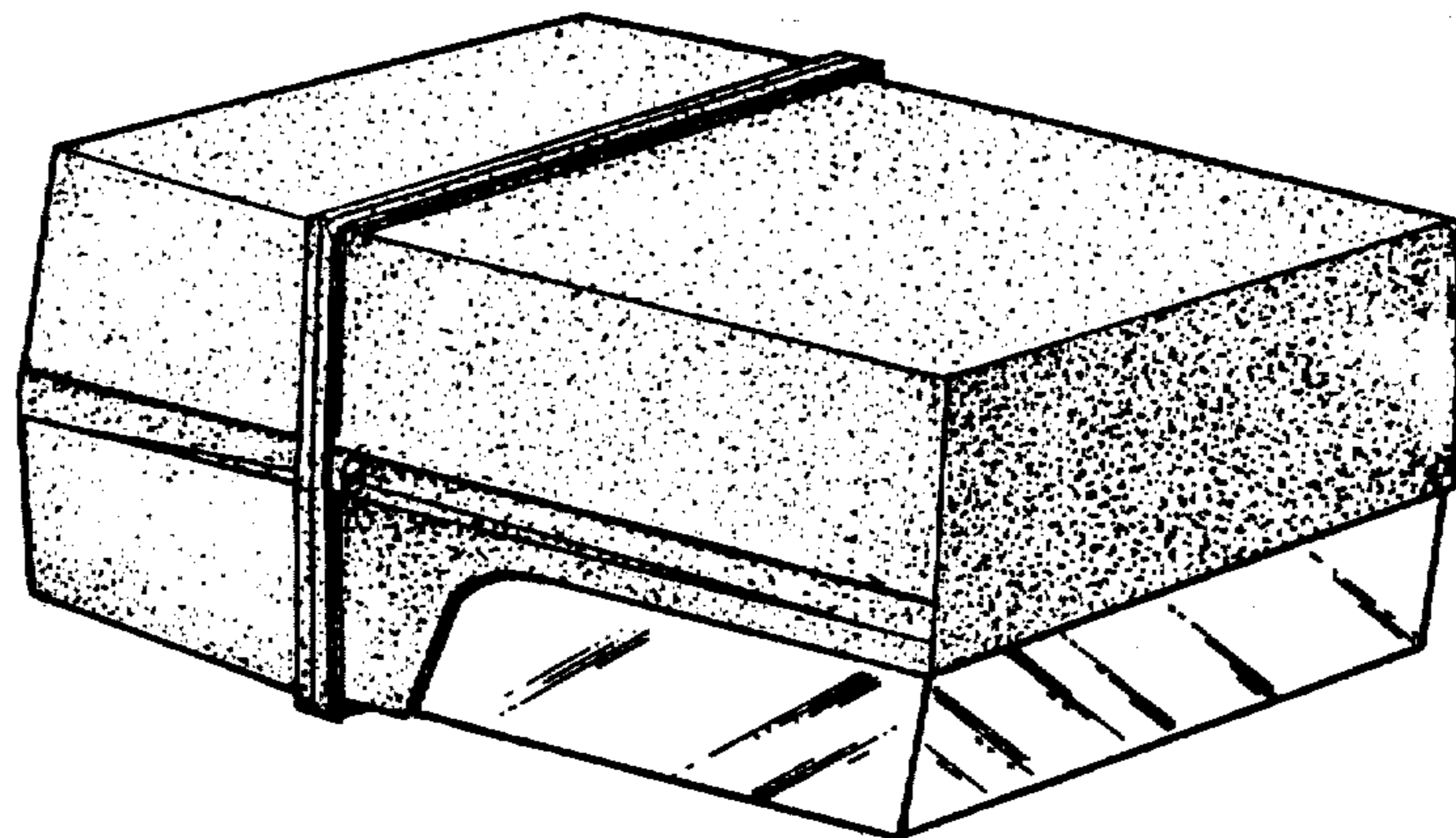


FIG. 1

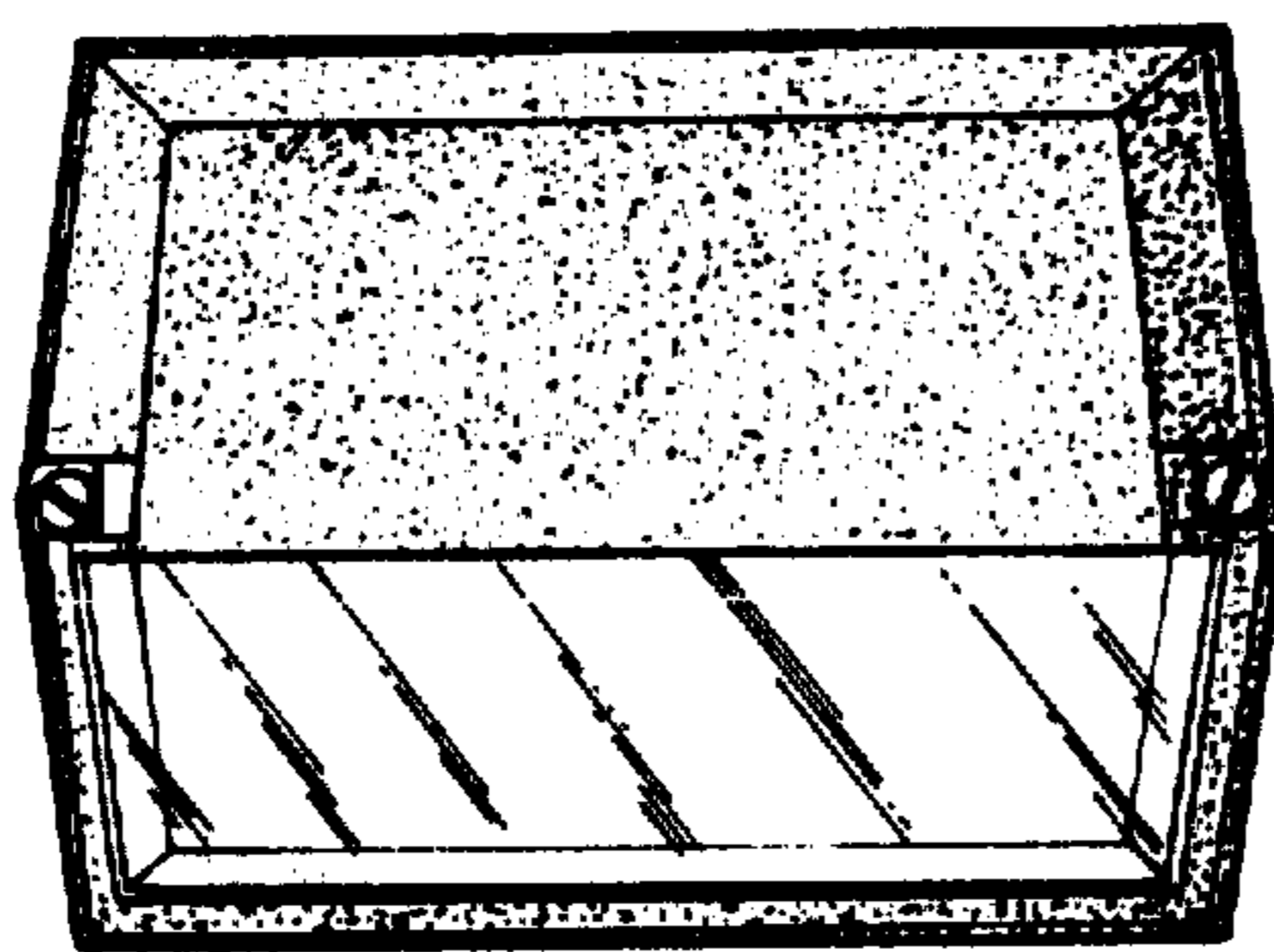


FIG. 2

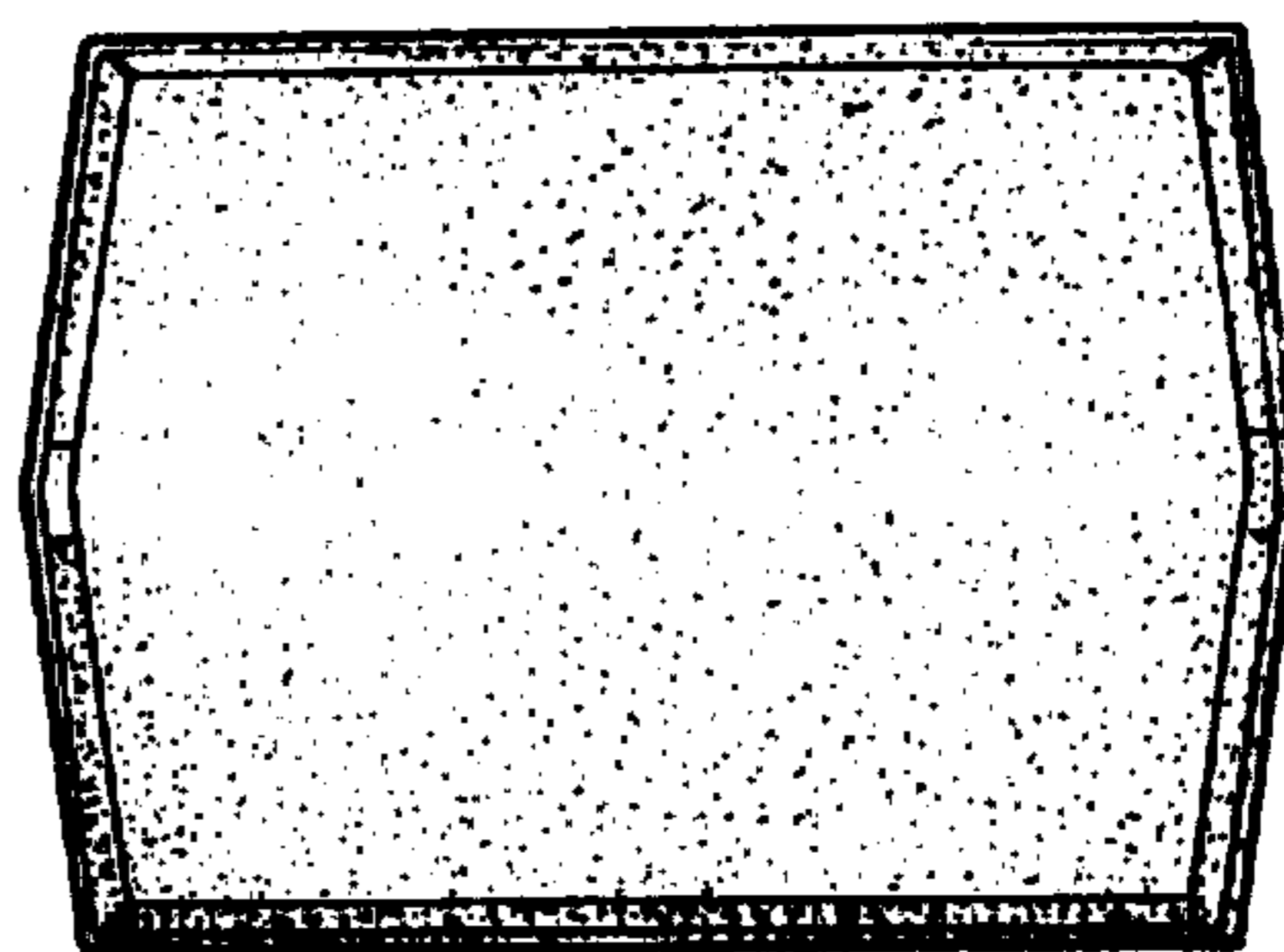


FIG. 3

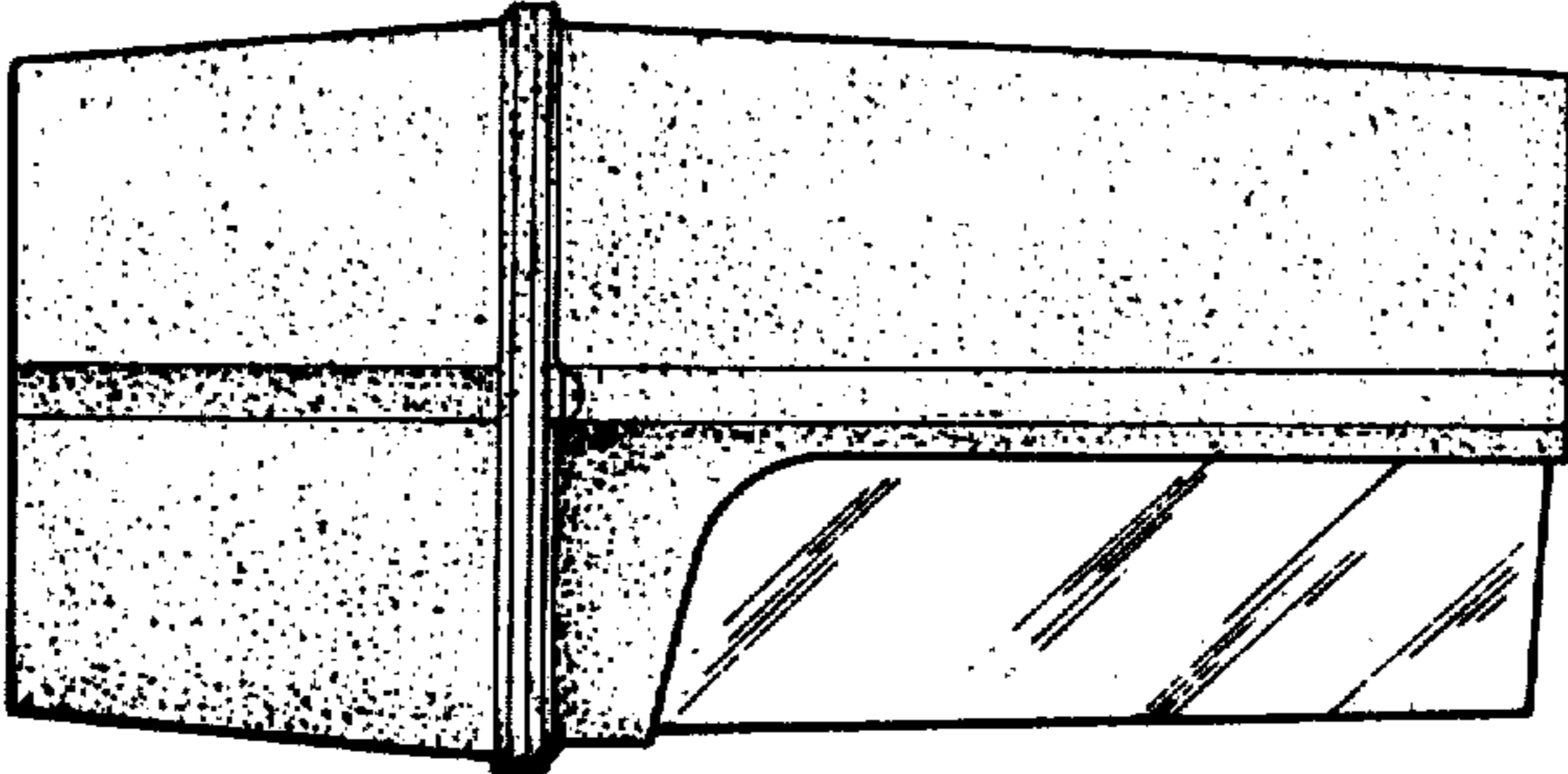


FIG. 4

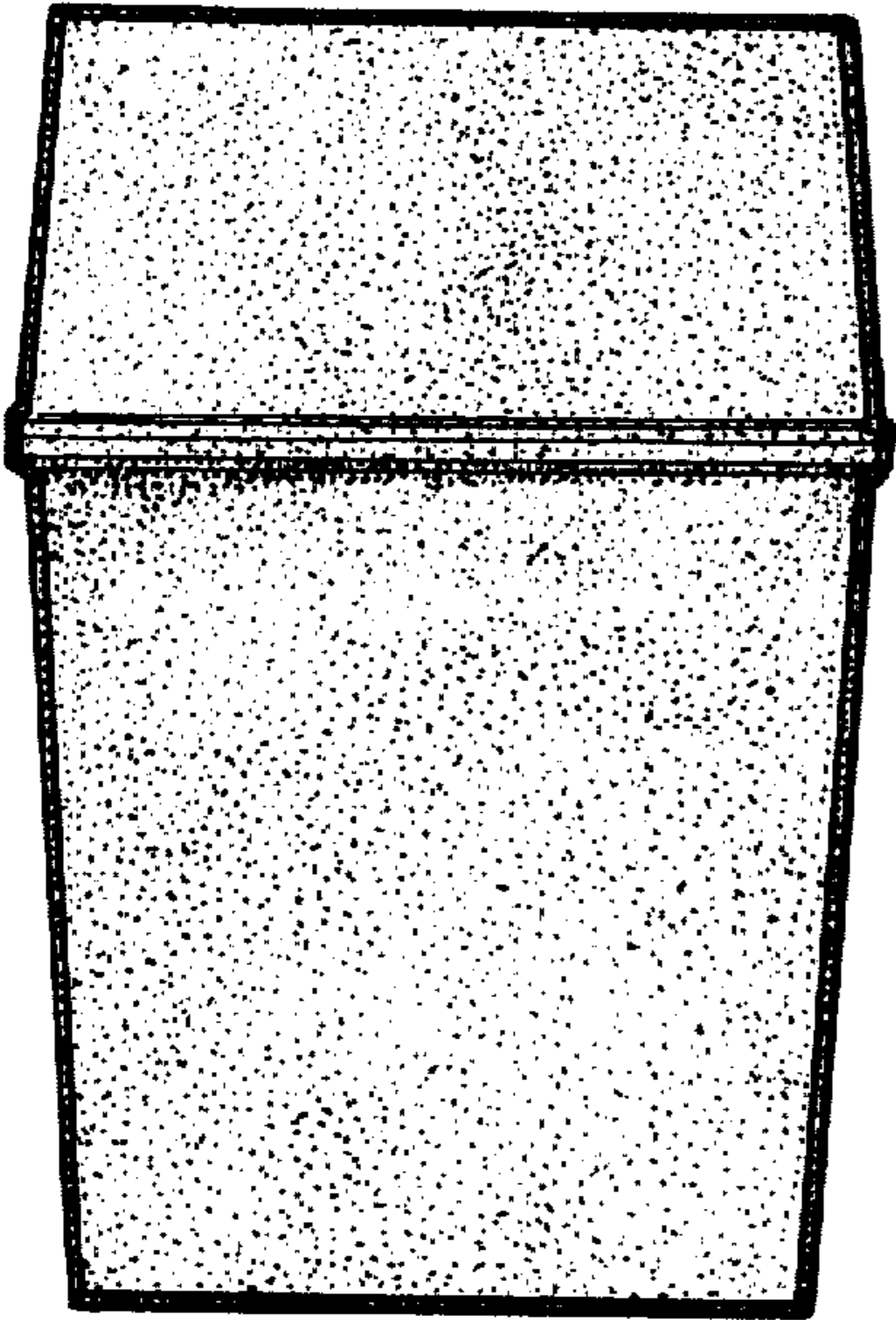


FIG. 5

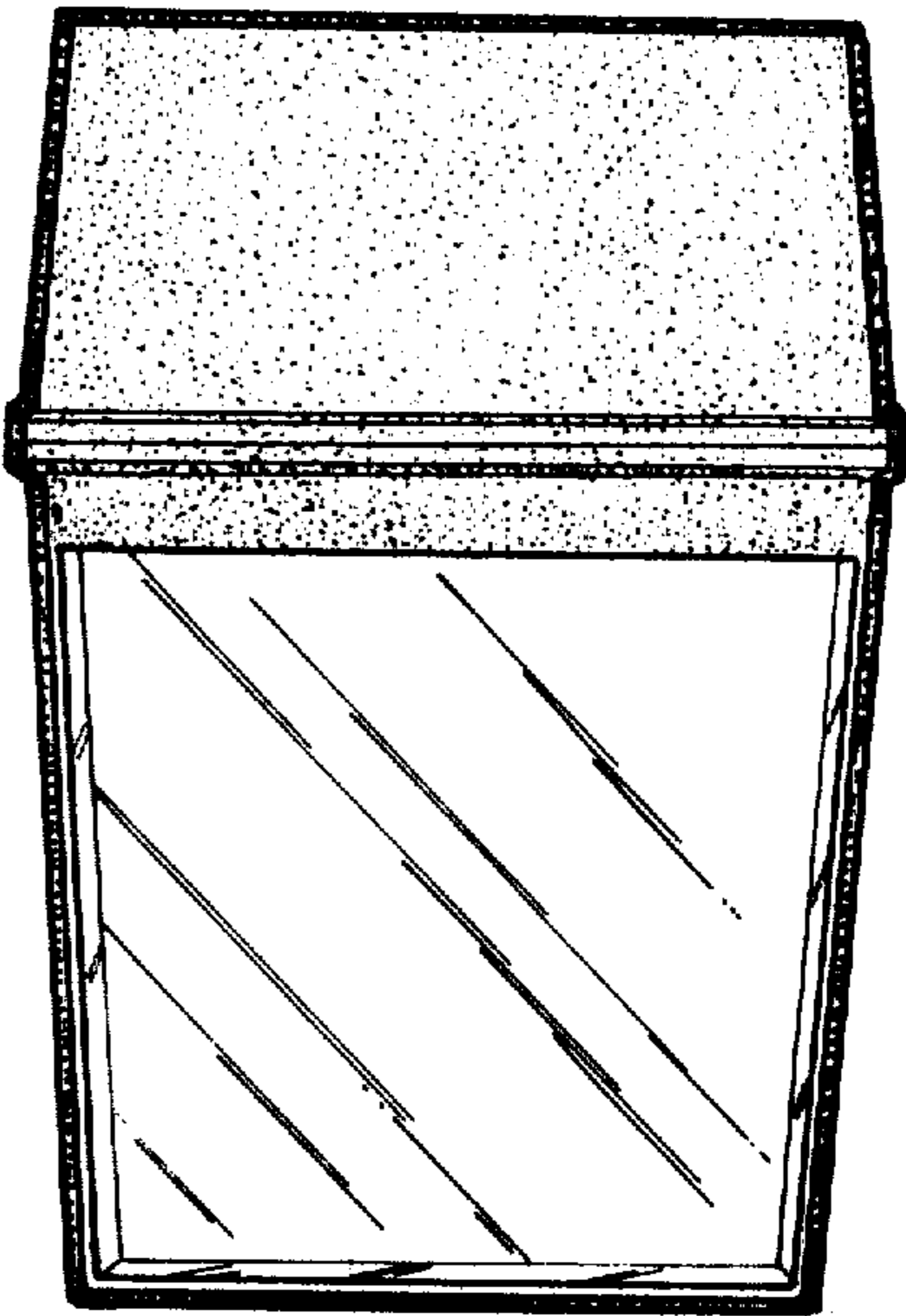


FIG. 6