

[54] PORTABLE RADIANT ELECTRIC HEATER

[75] Inventors: Melvin H. Boldt, Glenview; Thurber H. Morrison, Evanston; Robert W. Becker, Naperville; Robert S. Huff, Oak Park, all of Ill.

[73] Assignee: National Presto Industries, Inc., Eau Claire, Wis.

[**] Term: 14 Years

[21] Appl. No.: 252,190

[22] Filed: Apr. 8, 1981

[51] Int. Cl. D23-03

[52] U.S. Cl. D23/123

[58] Field of Search D23/72, 92, 109-111, D23/112, 117, 118, 122, 123, 124, 93; 219/342, 343, 347, 354

[56] References Cited

U.S. PATENT DOCUMENTS

- D. 189,410 12/1960 Relation .
- D. 225,851 1/1973 Cowan .
- D. 259,892 7/1981 Boekamp D23/122
- D. 267,424 12/1982 Boldt et al. D23/122

OTHER PUBLICATIONS

Boekamp Advertisement, "Energy Conscious America Needs Efficient Heating".

Ultra-Quartz Corp. Instruction Sheet (Two Pages).

Boekamp Inc. Form No. 77920R.

Ultra-Quartz "People Heater" Literature Sheet.

Welco Quartz Heater (Retailing Home Furnishings, Jun. 30, 1980).

Thermo-Tech Corporation Quartz Heater (Retail Home Furnishings, Jun. 30, 1980).

Betco Quartz Heater Literature Sheet.

Mr. Heater Literature Sheet (Two Pages).

Hamilton Beach Quartz Heater Literature Sheet.

Primary Examiner—Catherine E. Kemper

Attorney, Agent, or Firm—Merchant, Gould, Smith,

Edell, Welter & Schmidt

[57] CLAIM

The ornamental design for a portable radiant electric heater, substantially as shown and described.

DESCRIPTION

FIG. 1 is a perspective view of a portable radiant electric heater showing our new design;

FIG. 2 is a front elevational view of the portable radiant electric heater on an enlarged scale;

FIG. 3 is a side elevational view of the portable radiant electric heater, the opposite side not shown being a mirror image thereof;

FIG. 4 is a rear elevational view thereof;

FIG. 5 is a top plan view thereof; and

FIG. 6 is a bottom plan view thereof.

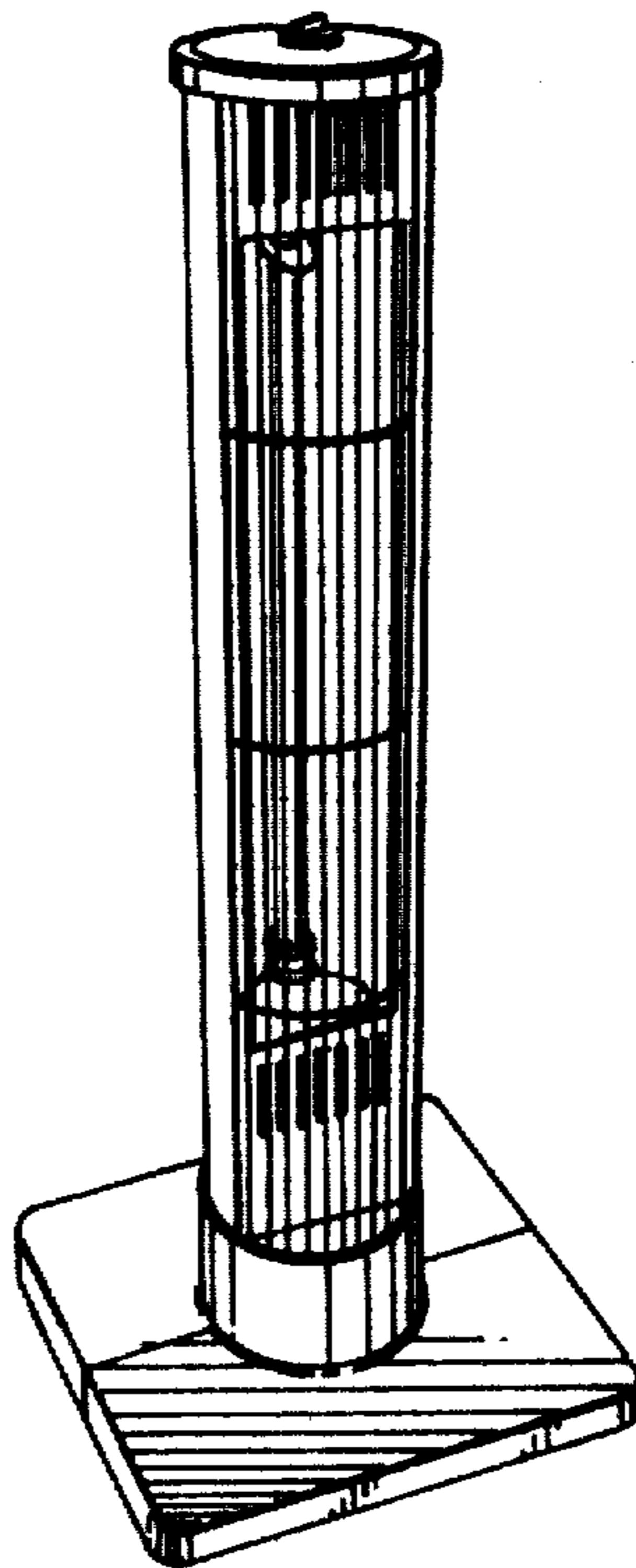


FIG. 1

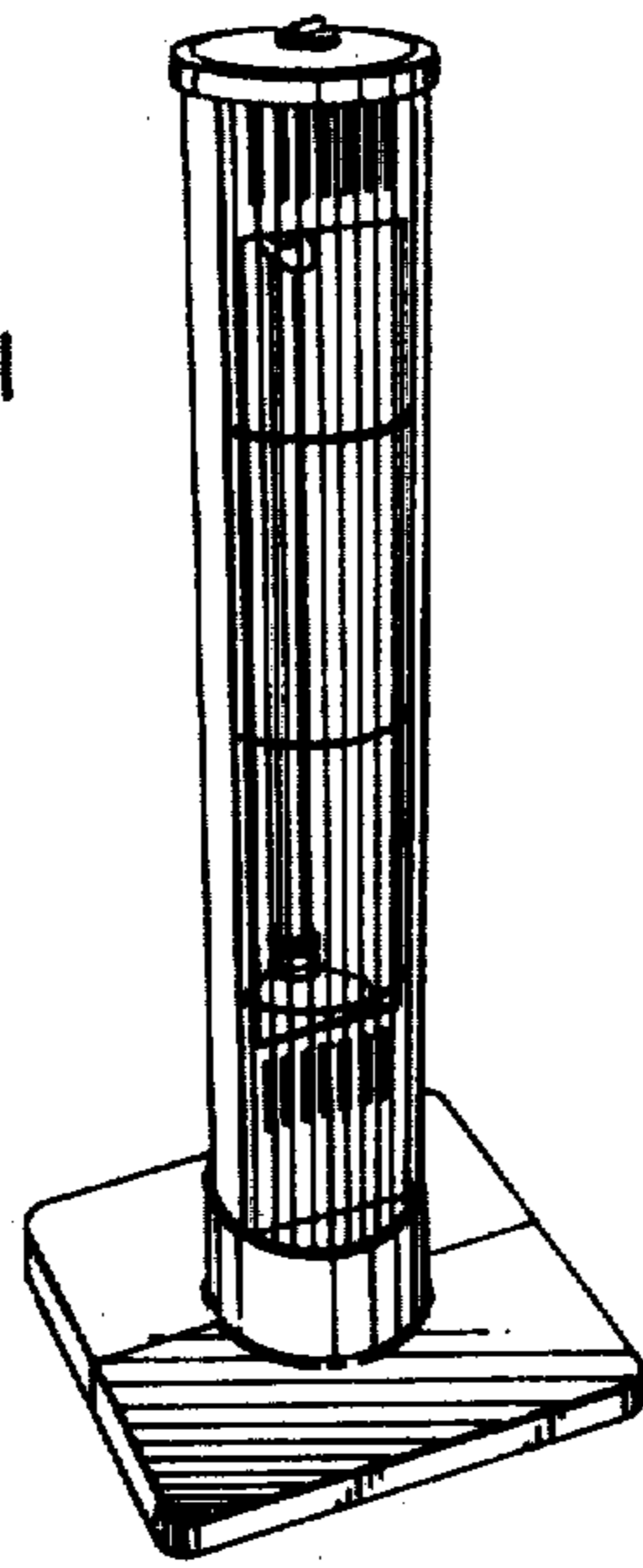


FIG. 2

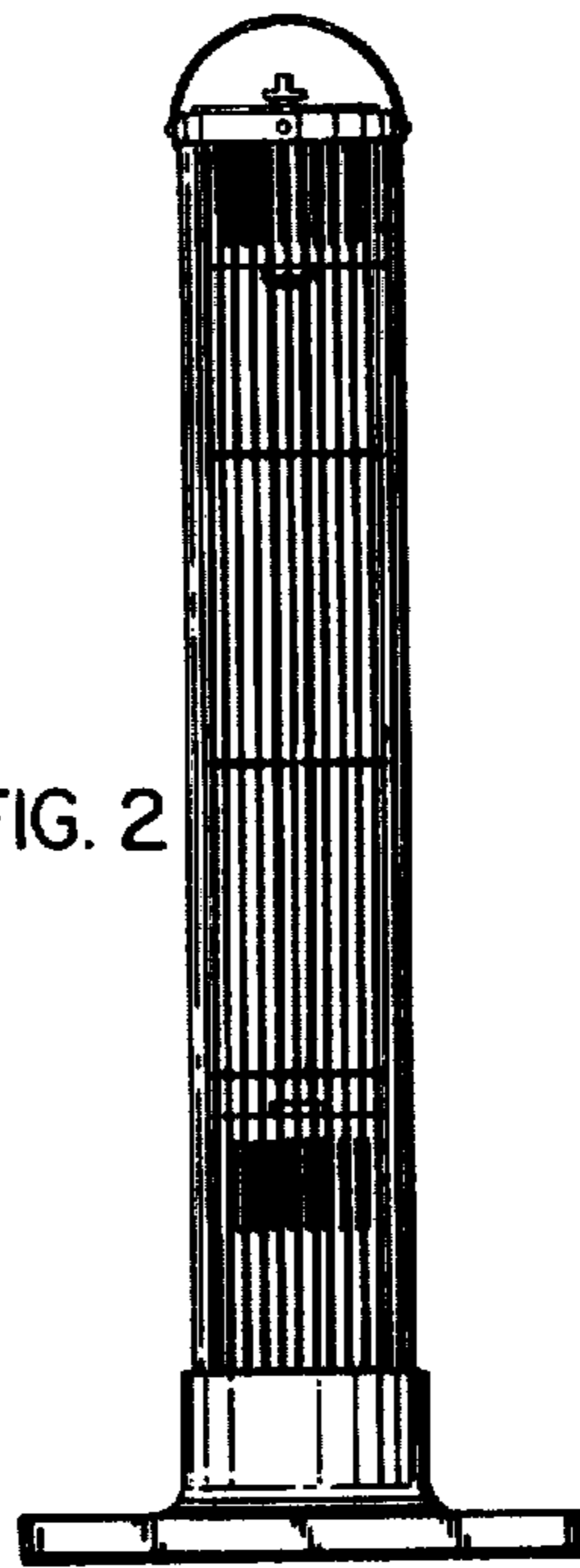


FIG. 3

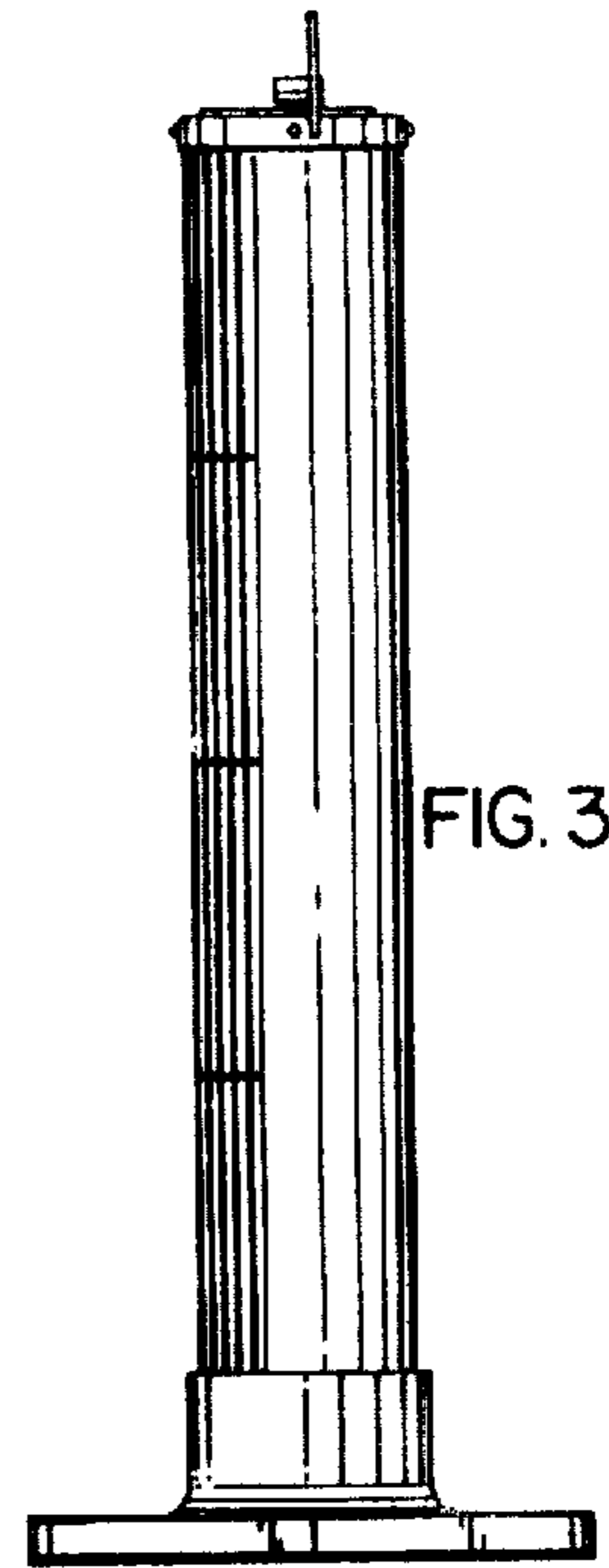


FIG. 5

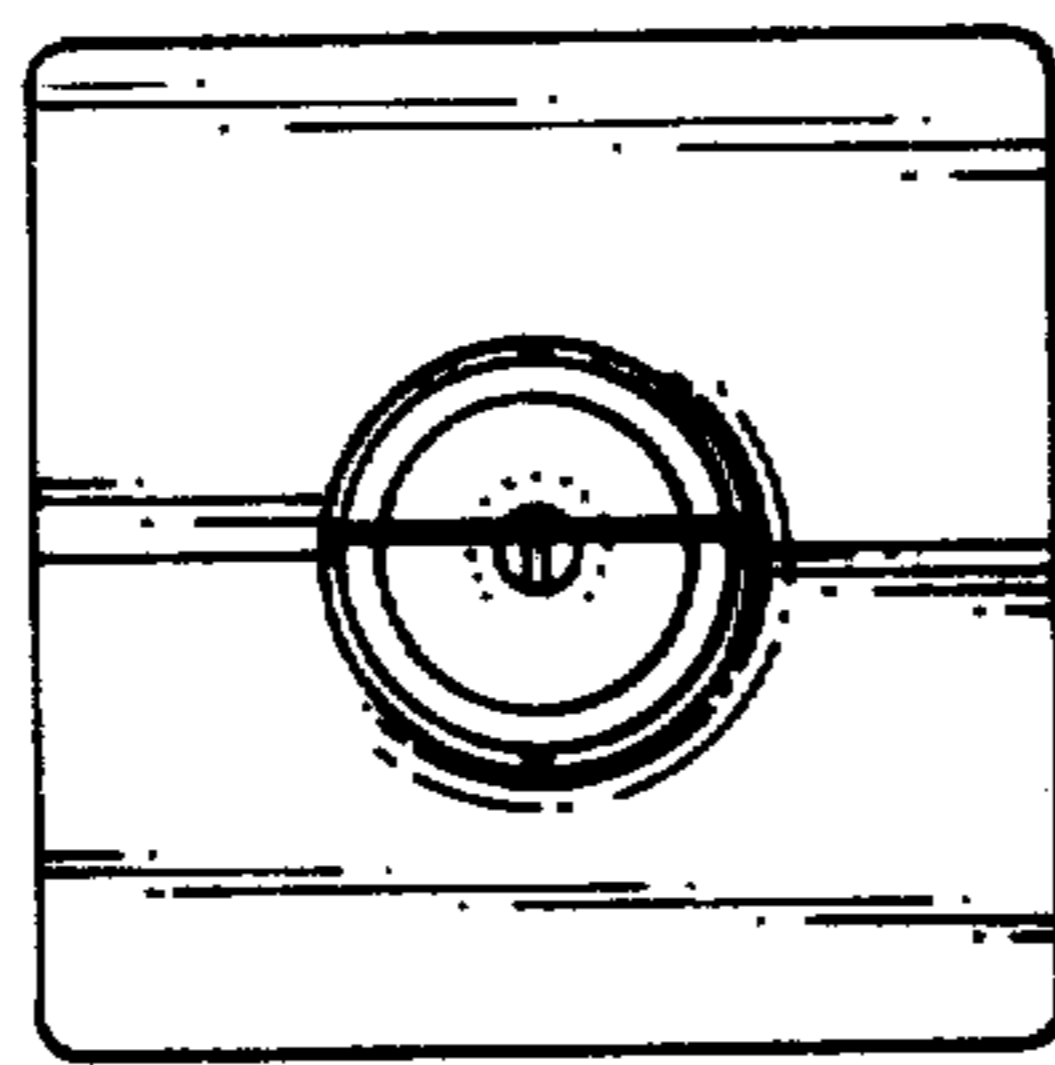


FIG. 4

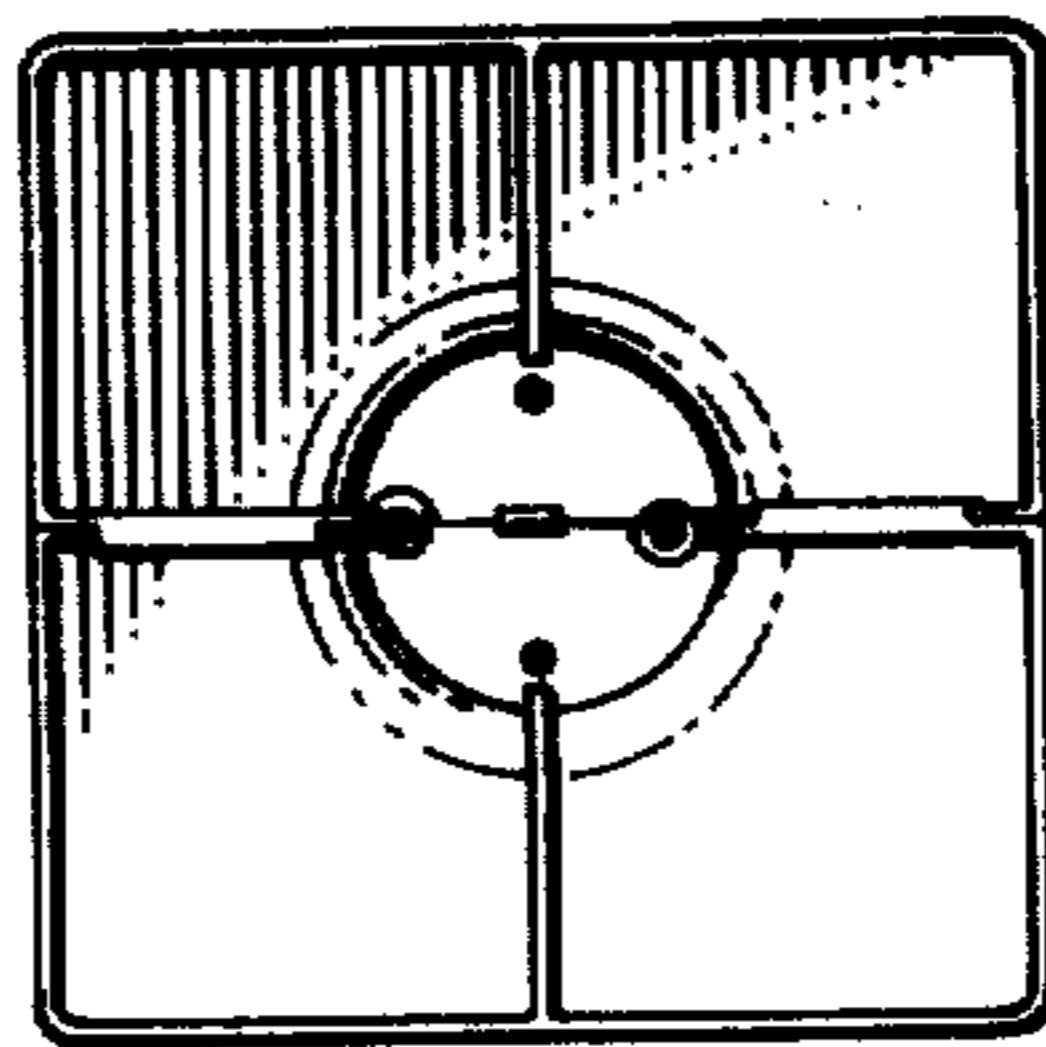
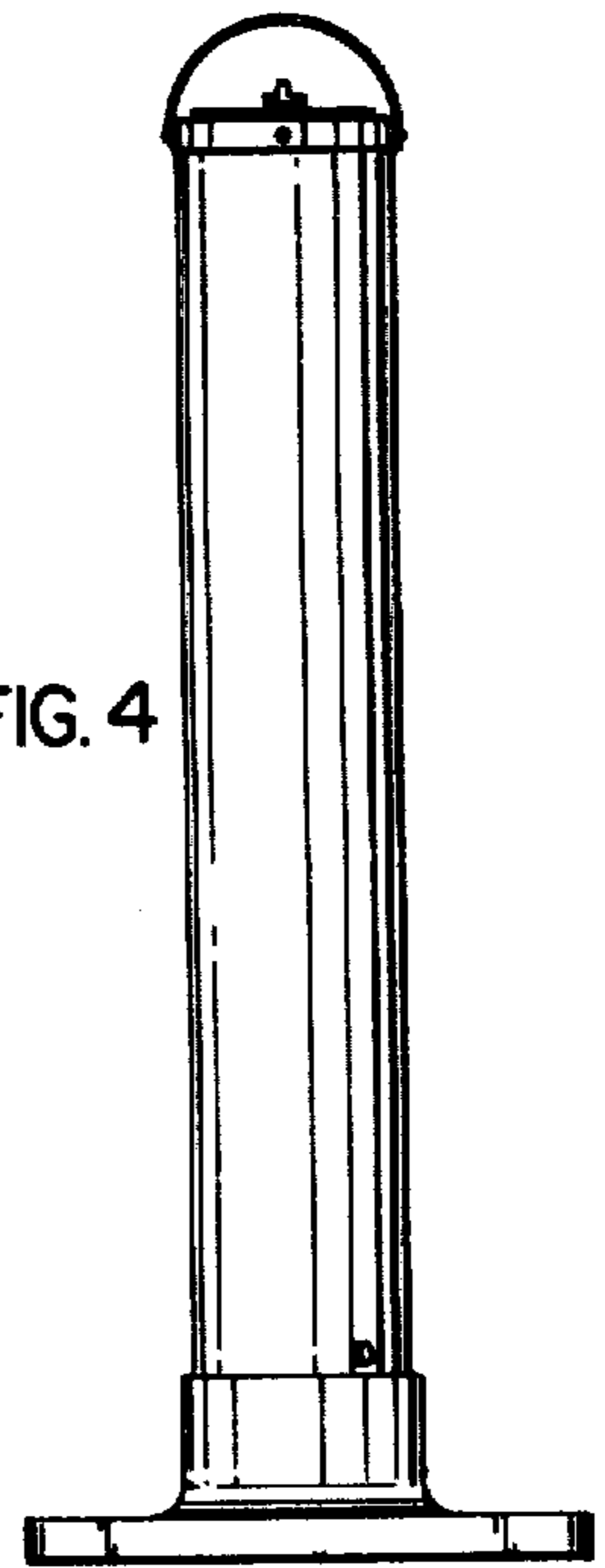


FIG. 6