

[54] PROTECTIVE CAP FOR GUN BARREL
 [76] Inventor: Ron K. Doak, 15021 Kimberley La., Houston, Tex. 77079
 [**] Term: 14 Years
 [21] Appl. No.: 320,942
 [22] Filed: Nov. 13, 1981
 [51] Int. Cl. D22-05
 [52] U.S. Cl. D22/7
 [58] Field of Search D22/7; D9/443, 445; 42/1 N, 76 R; 150/52 R, 52 H; D8/397, 400; 215/315, 321; 220/306, DIG. 19

3,250,423 5/1966 Curran D9/443 X
 3,455,047 7/1969 Hoag 42/1 N
 4,245,685 1/1981 Nemitz et al. 215/12 R X

FOREIGN PATENT DOCUMENTS

144034 2/1931 Switzerland 42/1 N

Primary Examiner—A. Hugo Word
 Attorney, Agent, or Firm—Michael P. Breston

[57] CLAIM

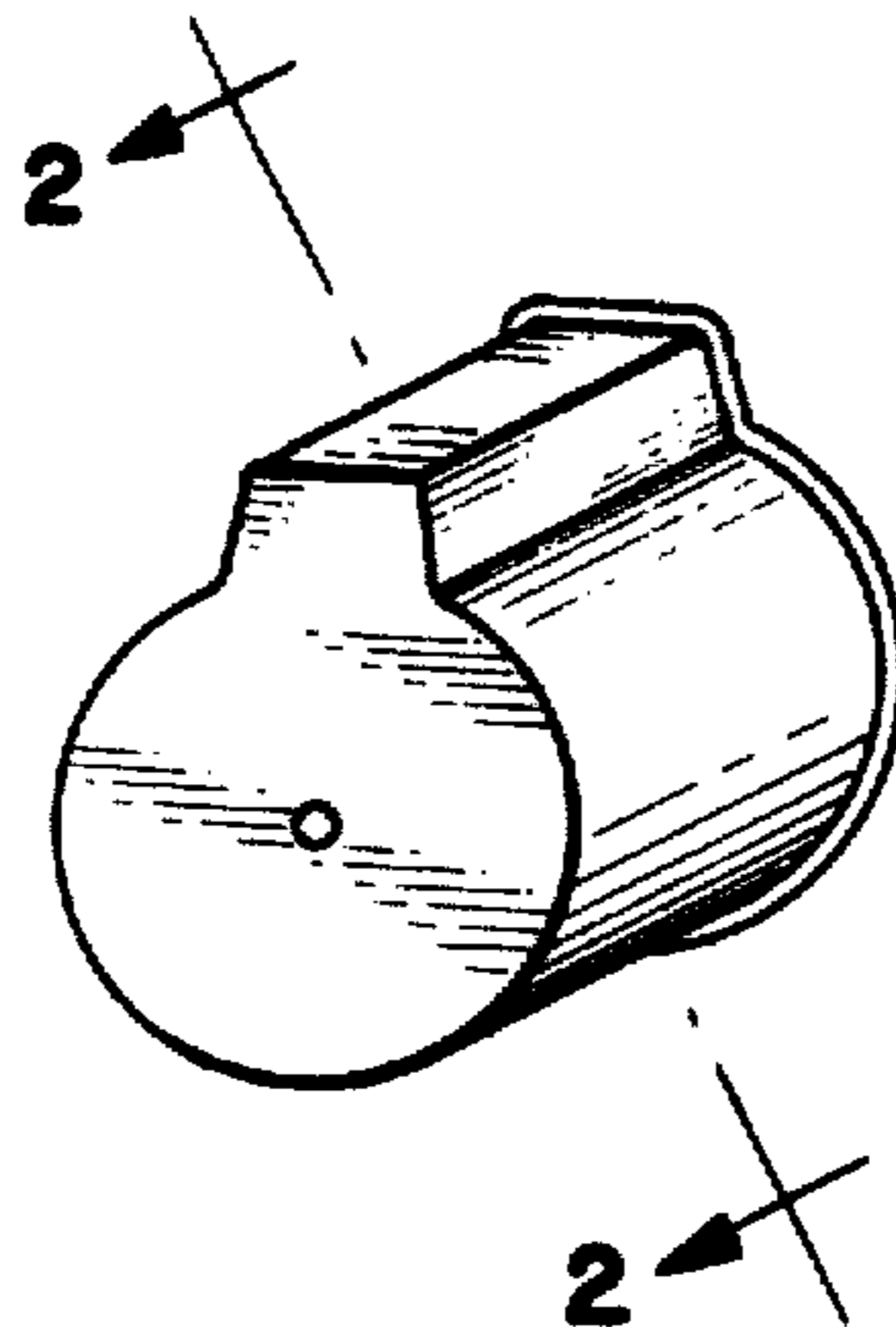
The ornamental design for a protective cap for gun barrel, substantially as shown and described.

DESCRIPTION

FIG. 1 is a perspective view of the cap, showing my new design;
 FIG. 2 is a sectional view on line 2—2 of FIG. 1;
 FIG. 3 is a sectional view on line 3—3 of FIG. 2;
 FIG. 4 is a bottom view of the cap; and
 FIG. 5 is a top view of the cap.

[56] References Cited
 U.S. PATENT DOCUMENTS

D. 207,033 2/1967 Bowker D9/443
 906,876 12/1908 Hann 42/1 N
 2,385,051 9/1945 Berlin et al. 42/1 N



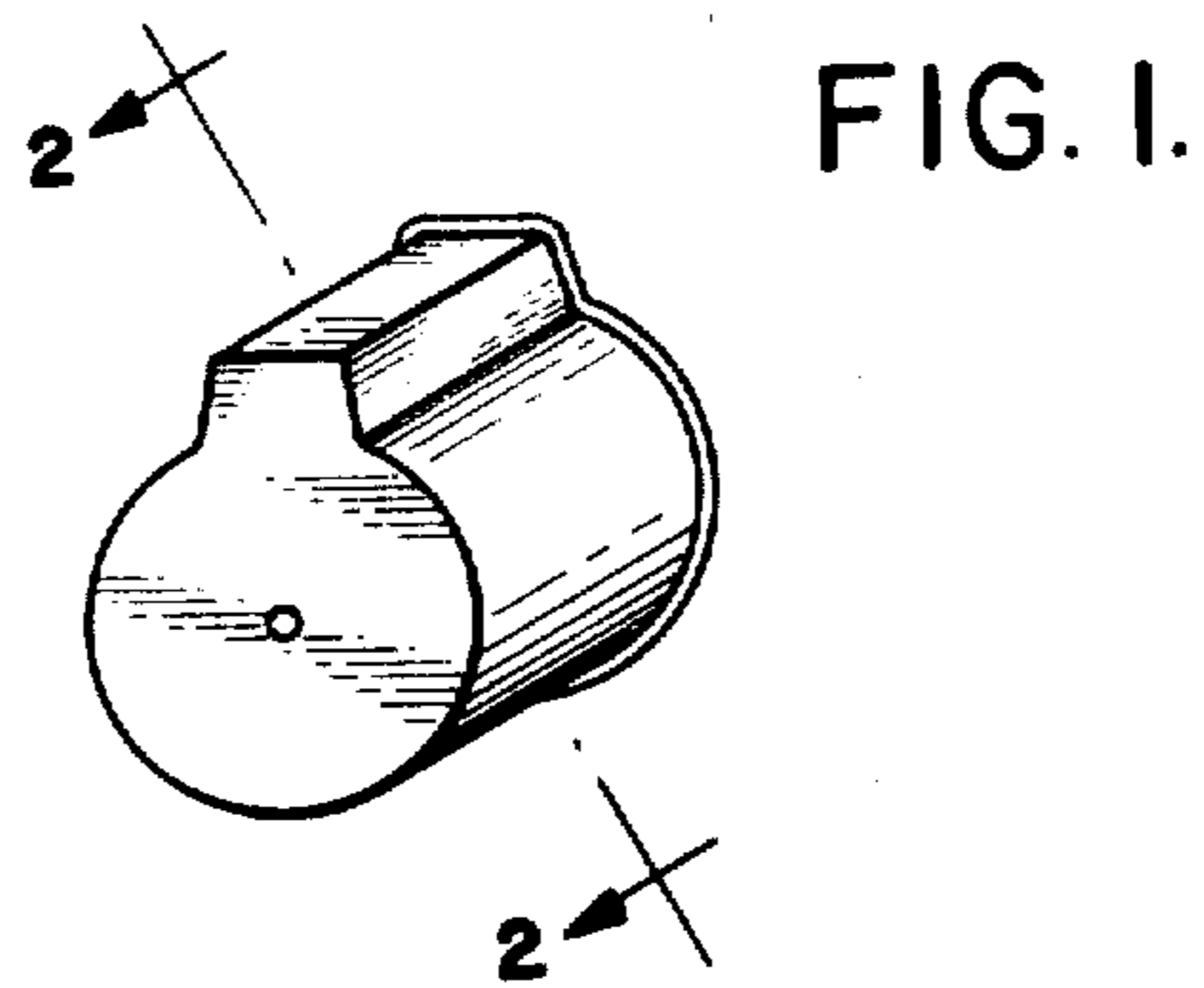


FIG. 2.

