

[54] **KNIFE**

[75] Inventor: **Robert Ferraro**, Springfield, Mass.

[73] Assignee: **Bangor Punta Corporation**,
Greenwich, Conn.

[**] Term: **14 Years**

[21] Appl. No.: **303,973**

[22] Filed: **Sep. 21, 1981**

[51] Int. Cl. **D22-02**

[52] U.S. Cl. **D22/1**

[58] Field of Search 30/165, 286, 340, 344;
D22/1

[56] **References Cited**

U.S. PATENT DOCUMENTS

- D. 210,440 3/1968 Latham D22/1
- D. 220,930 6/1971 Arlett D22/1

OTHER PUBLICATIONS

Eddie Bauer Catalog, Christmas 1974, p. 43, Puma knives at top right.

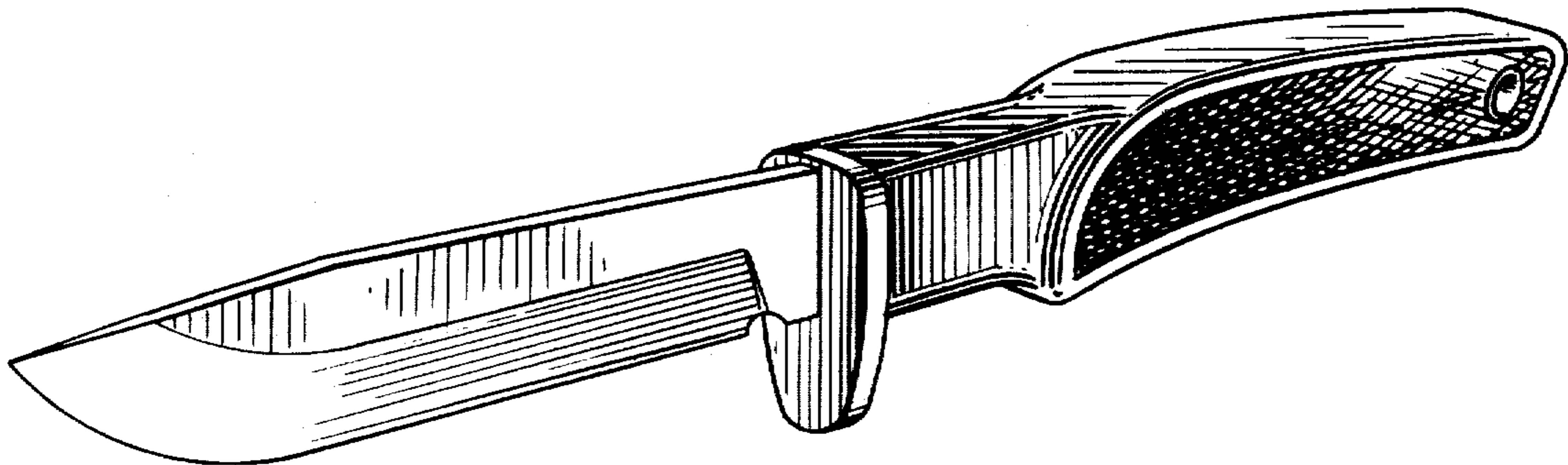
Primary Examiner—A. Hugo Word
Attorney, Agent, or Firm—Patrick J. Walsh

[57] **CLAIM**

The ornamental design for the knife, as shown and described.

DESCRIPTION

FIG. 1 is a perspective view of the knife;
 FIG. 2 is a front elevational view of the knife;
 FIG. 3 is a bottom plan view of the knife;
 FIG. 4 is a top plan view of the knife;
 FIG. 5 is a front edge view of the knife;
 FIG. 6 is a rear edge view of the knife;
 FIG. 7 is an enlarged view of the surface ornamentation of the handle of the knife; and
 FIG. 8 is a section view taken along line 8—8 of FIG. 7.



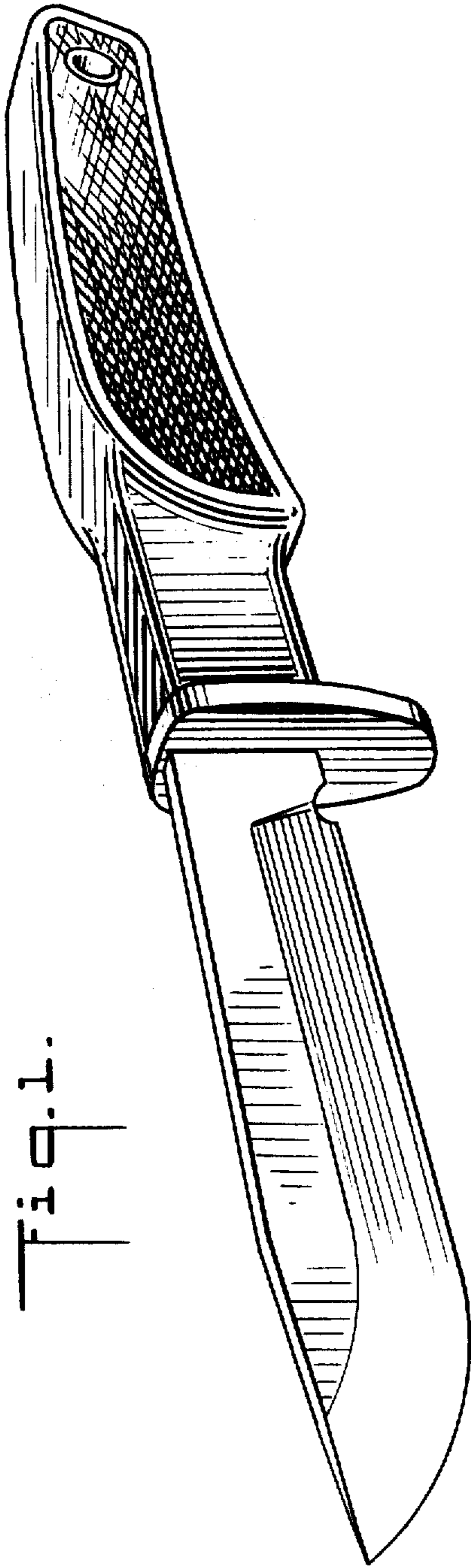


Fig. 1.

Fig. 2.

