

[54] TOY TRACKWAY

[75] Inventors: Hajime Matsumoto, Chiba; Toshihisa Suga, Saitama, both of Japan

[73] Assignee: Toybox Corporation, Tokyo, Japan

[\*\*] Term: 14 Years

[21] Appl. No.: 295,625

[22] Filed: Aug. 24, 1981

[51] Int. Cl. .... D21-01

[52] U.S. Cl. .... D21/143; D21/12

[58] Field of Search .... D21/12, 143; 46/43, 46/216

[56]

References Cited

U.S. PATENT DOCUMENTS

D. 260,412	8/1981	Hirano .....	D21/143
D. 265,751	8/1982	Udagawa .....	D21/143
2,992,598	7/1961	Einfalt .....	46/43

Primary Examiner—Melvin B. Feifer  
Attorney, Agent, or Firm—James D. Halsey, Jr.

[57]

CLAIM

The ornamental design for a toy trackway, as shown.

DESCRIPTION

FIG. 1 is a front elevational view of the toy trackway, embodying our new design;

FIG. 2 is a rear elevational view thereof;

FIG. 3 is a right-side elevational view thereof;

FIG. 4 is a left-side elevational view thereof;

FIG. 5 is a top plan view thereof;

FIG. 6 is a bottom plan view thereof.

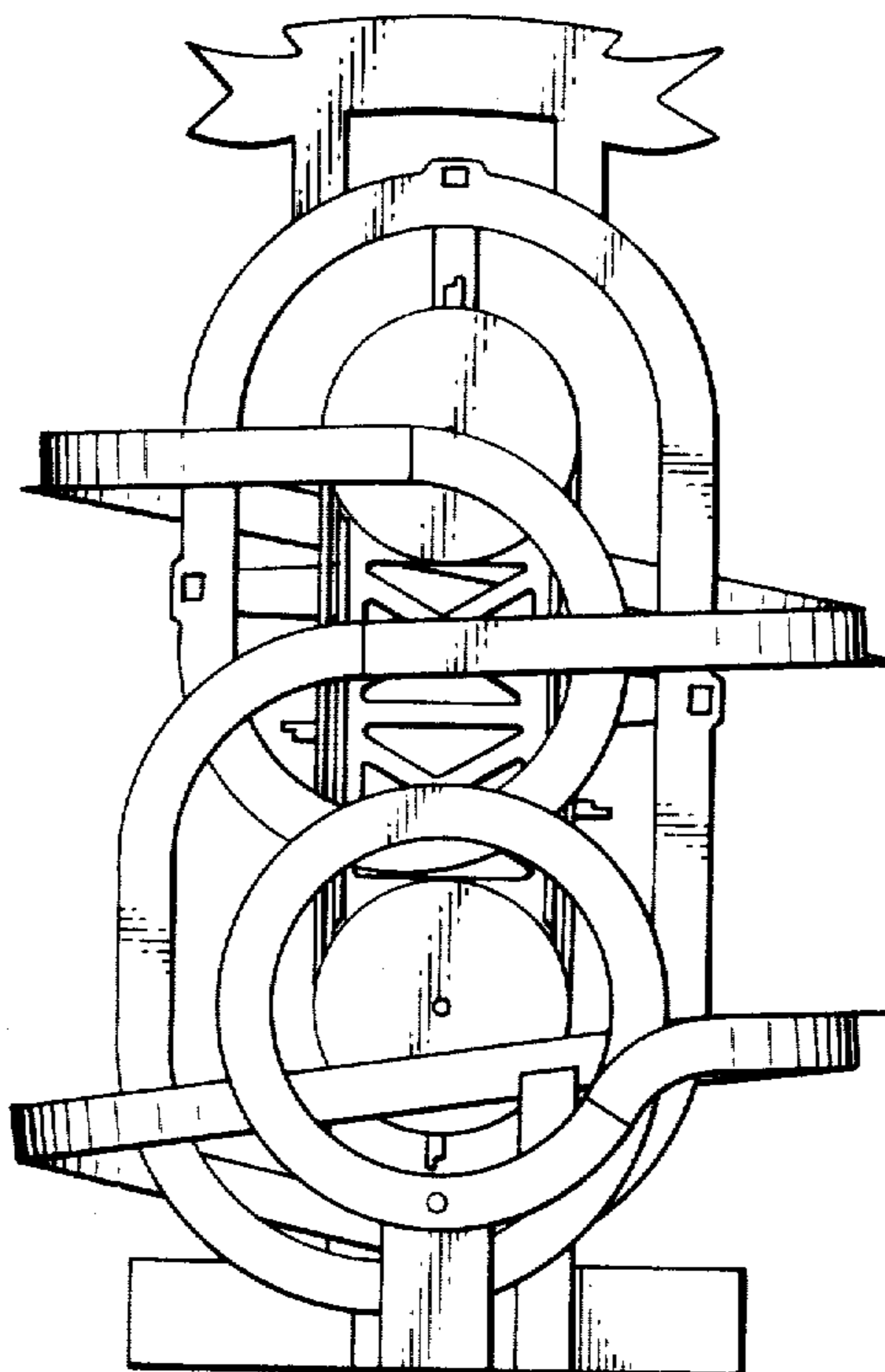


FIG. 1.

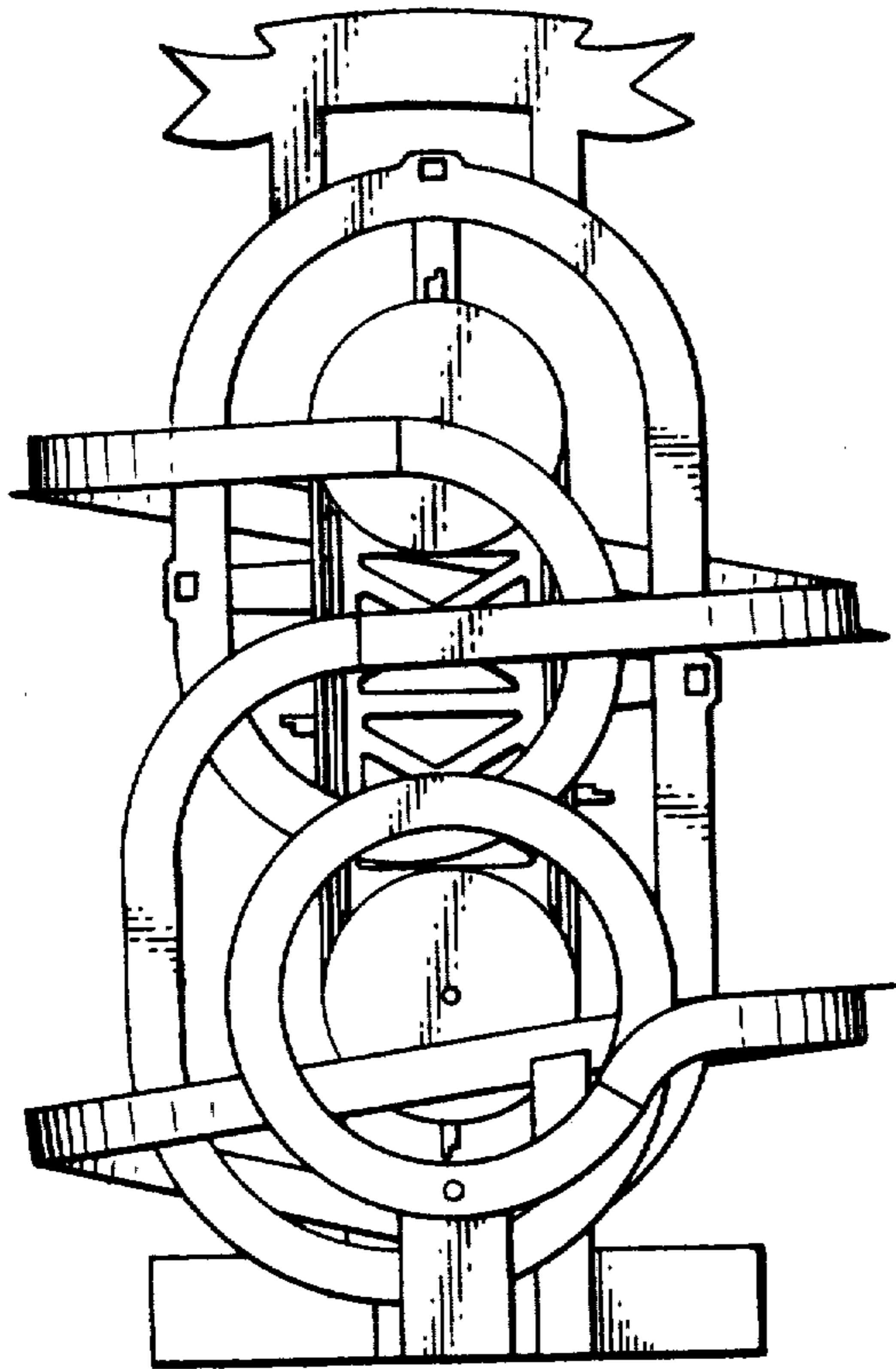


FIG. 2.

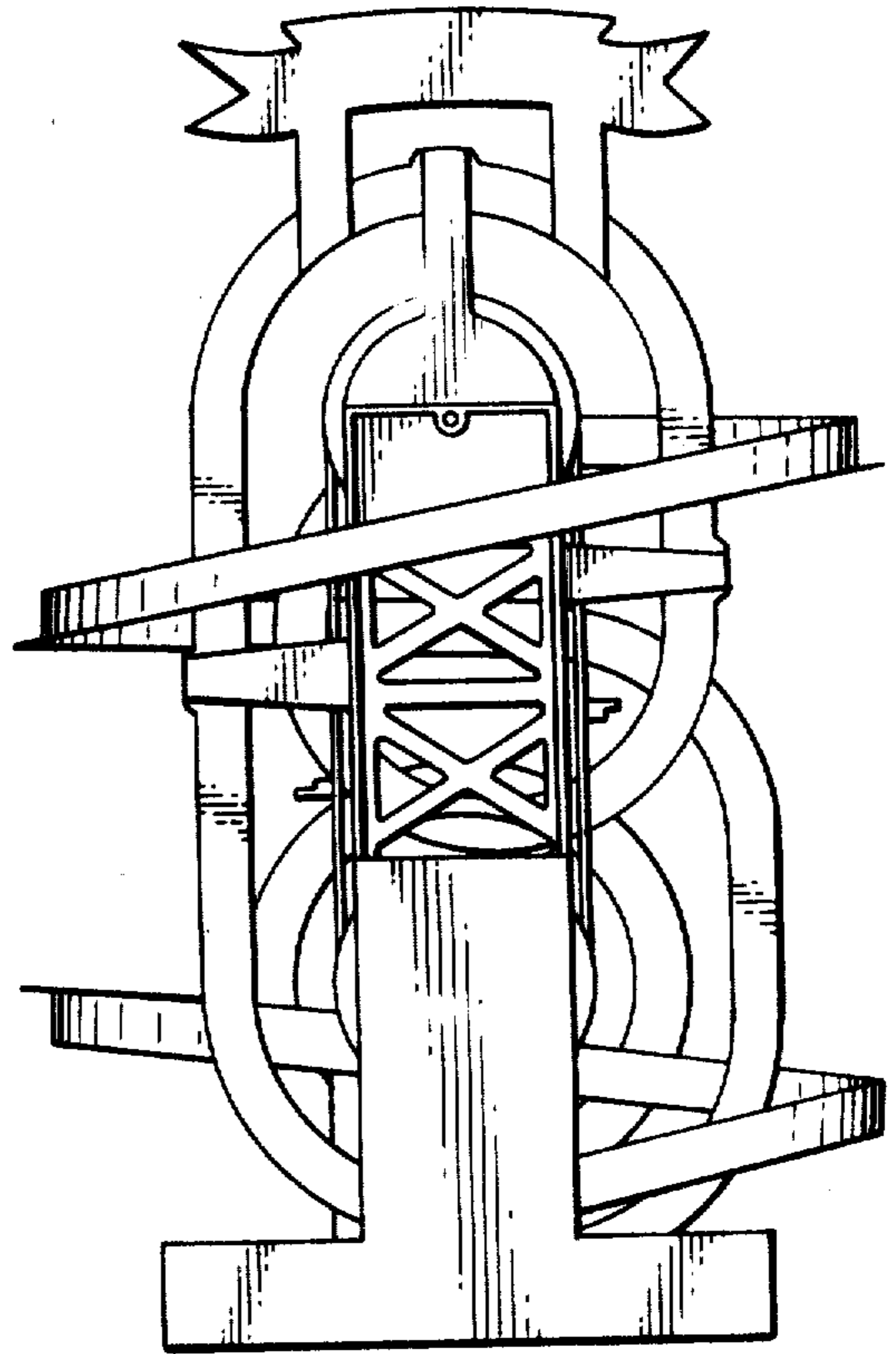


FIG. 3.

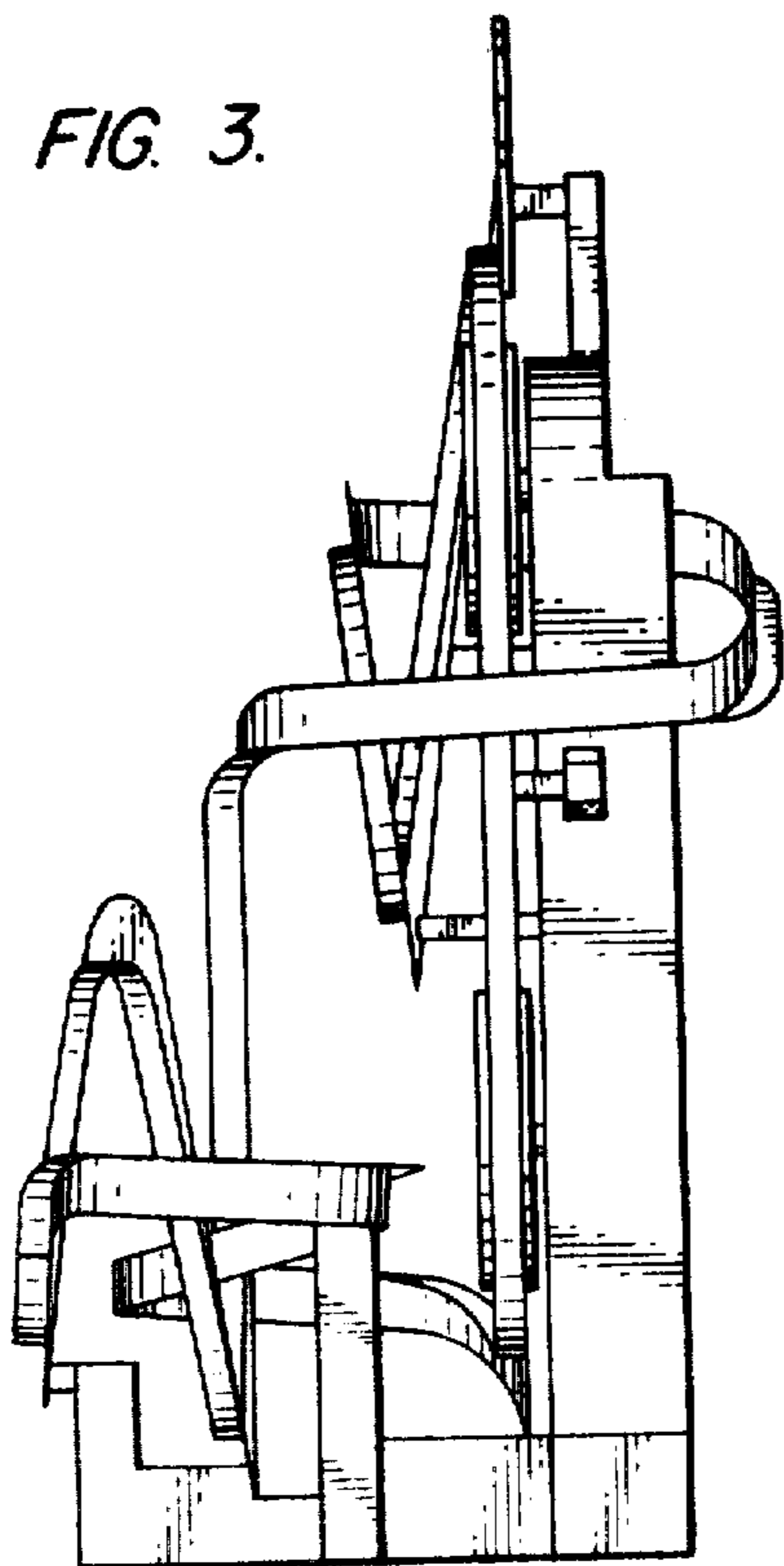


FIG. 4.

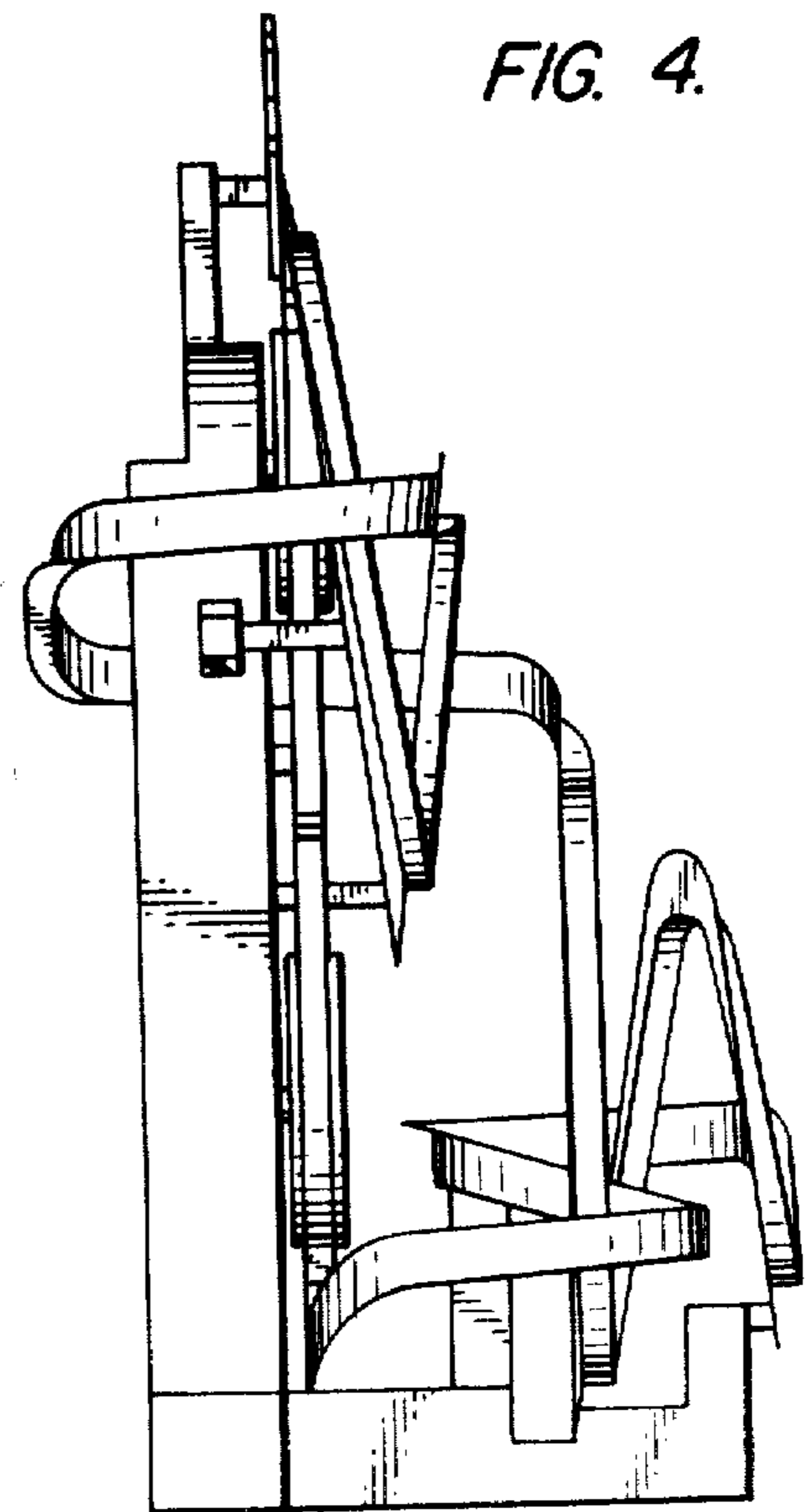


FIG. 5.

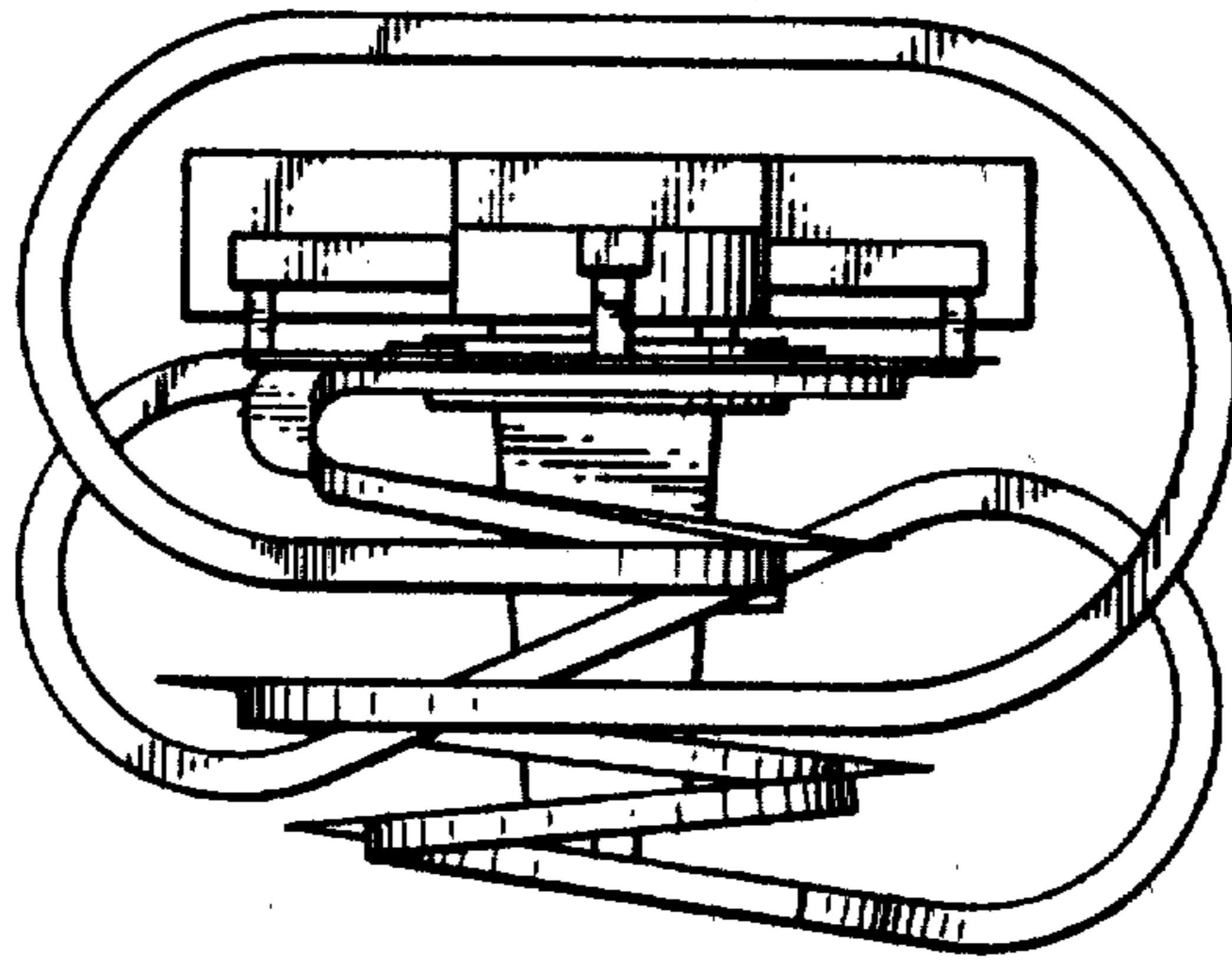


FIG. 6.

