

[54] CHUCK BODY

[75] Inventors: James G. Wiatt; James W. Calvert; Samuel L. Belcher, all of Cincinnati; Roger D. Smith, Bethel, all of Ohio

[73] Assignee: Cincinnati Milacron Industries, Inc., Cincinnati, Ohio

[**] Term: 14 Years

[21] Appl. No.: 282,917

[22] Filed: Jul. 13, 1981

[51] Int. Cl. D15-09

[52] U.S. Cl. D15/140

[58] Field of Search 279/18, 46; 425/542, 425/526, 534; D5/138, 140; D8/70, 71

[56] References Cited

U.S. PATENT DOCUMENTS

4,233,010 11/1980 Suzuki 425/526

Primary Examiner—Wallace R. Burke
Assistant Examiner—Suzanne N. Gitlin
Attorney, Agent, or Firm—John W. Gregg

[57] CLAIM

The ornamental design for the chuck body, as shown and described.

DESCRIPTION

FIG. 1 is a isometric view of the chuck body looking down towards the top end showing my new design.

FIG. 2 is a side view revealing the surface relief of approximately one-half the chuck body.

FIG. 3 is a side view revealing the surface relief of approximately one-half the chuck body as would appear by rotation of the body through about 90 degrees about its longitudinal centerline from the position of FIG. 2.

FIG. 4 is a top view of the chuck body.

FIG. 5 is a bottom view of the chuck body showing the interior of the cup portion.

FIG. 6 is a sectional view revealing the interior surface relief taken along the lines 6-6 of FIG. 5.

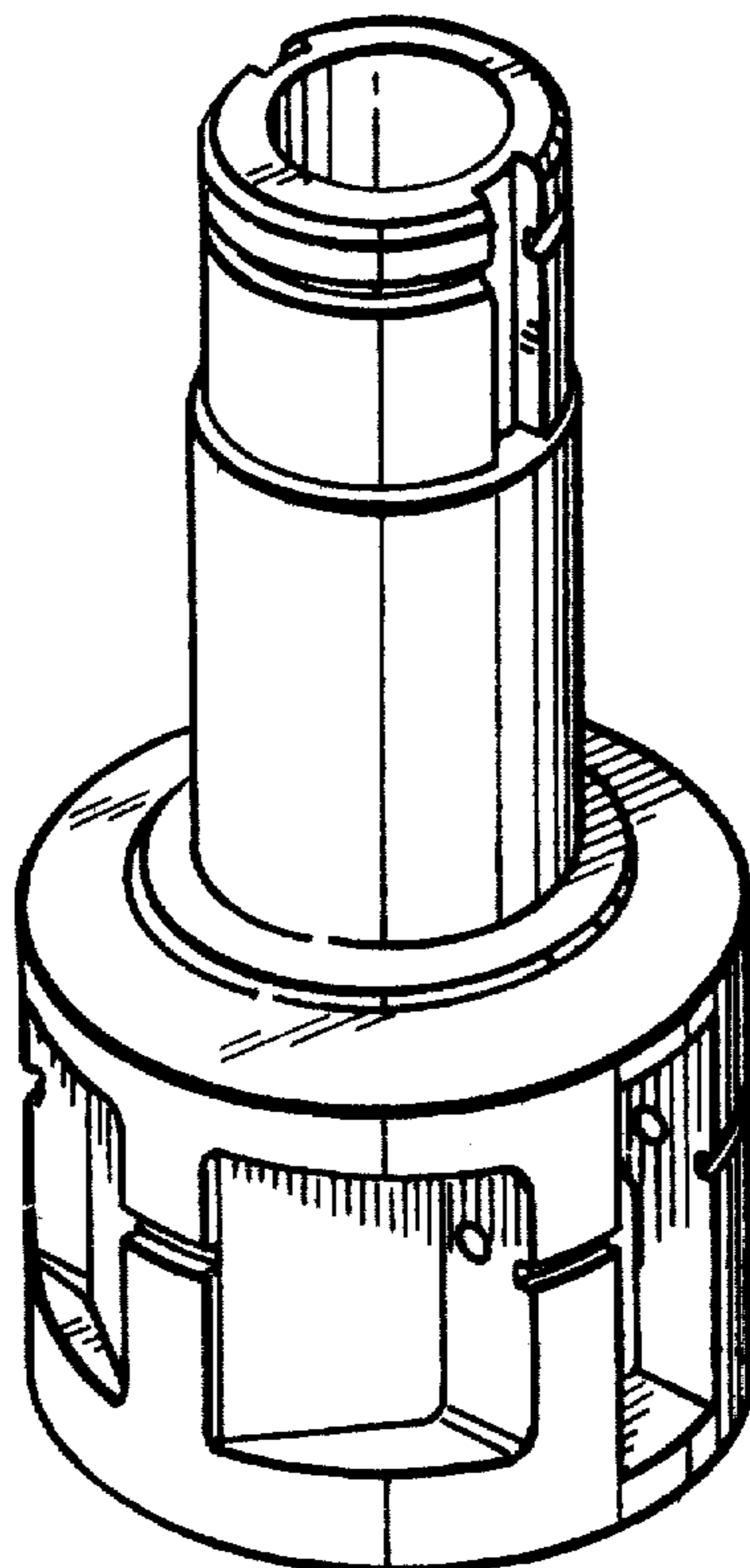


FIG-1

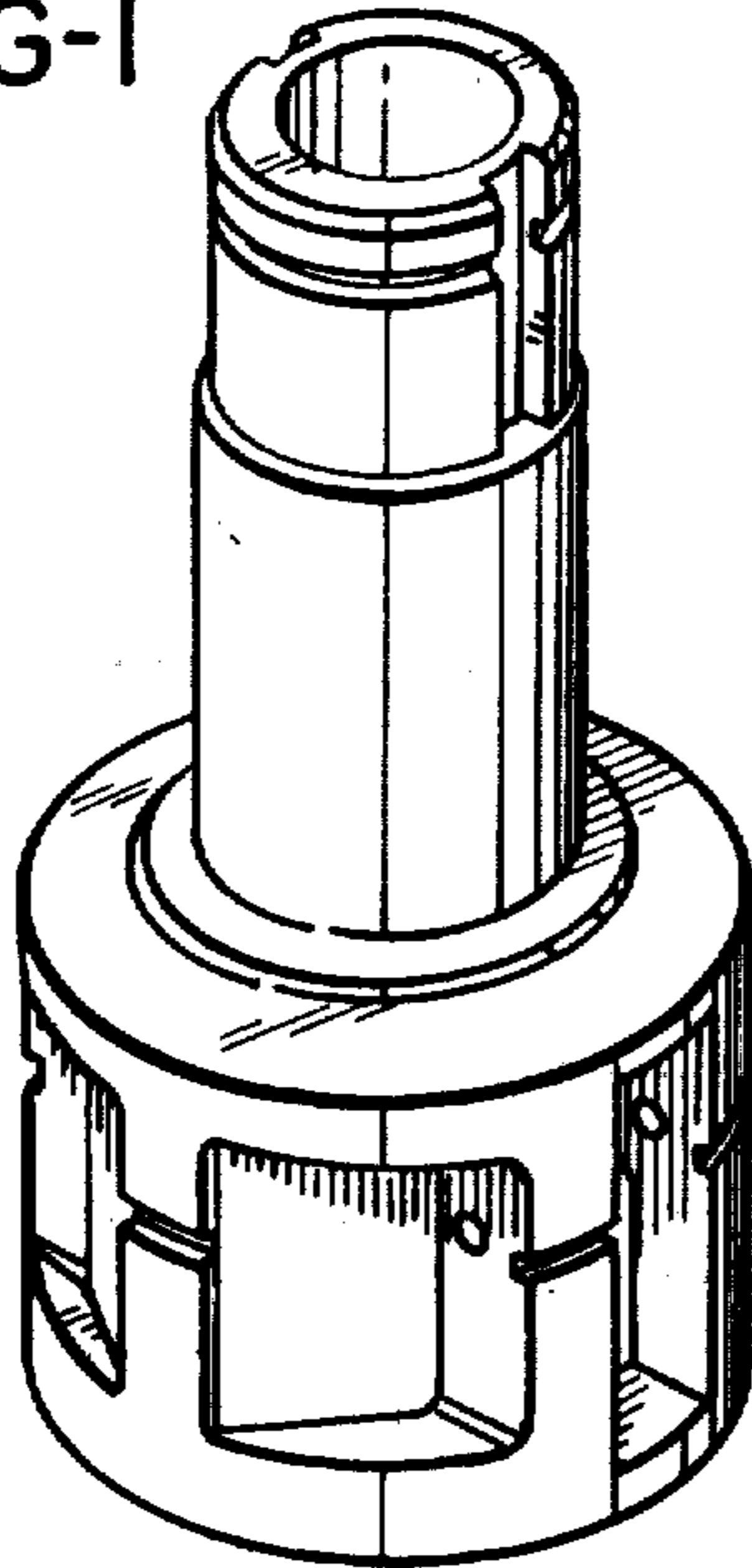


FIG-2

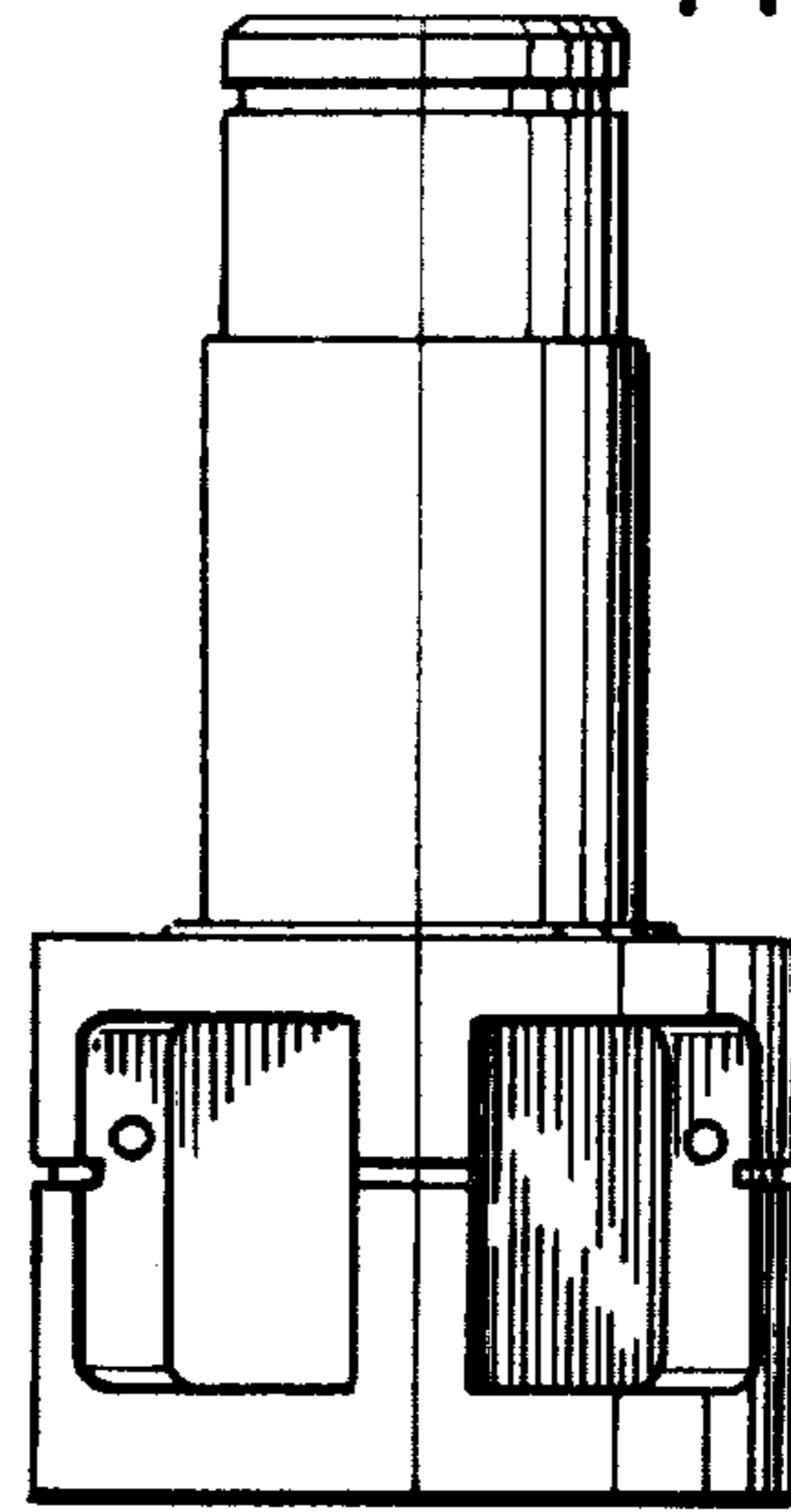


FIG-3

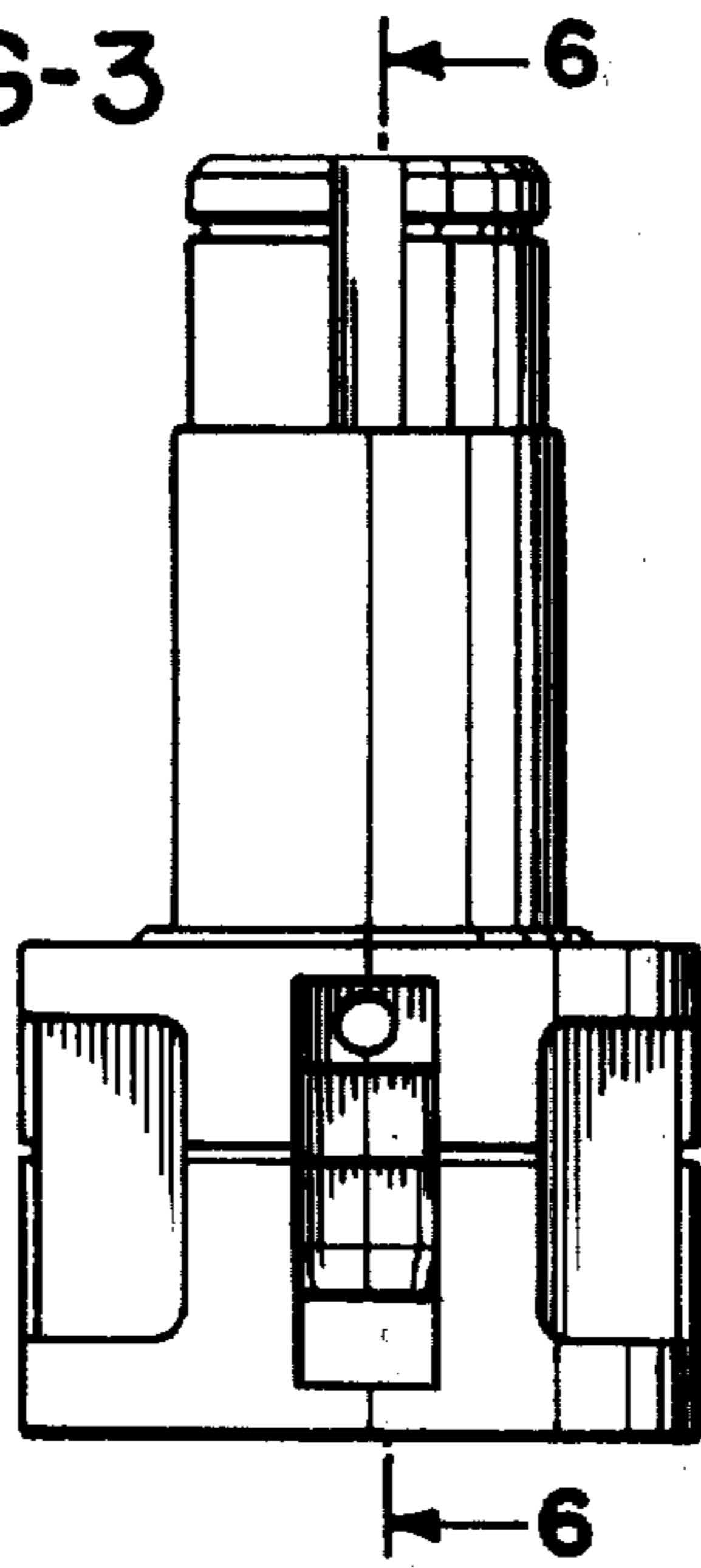


FIG-4

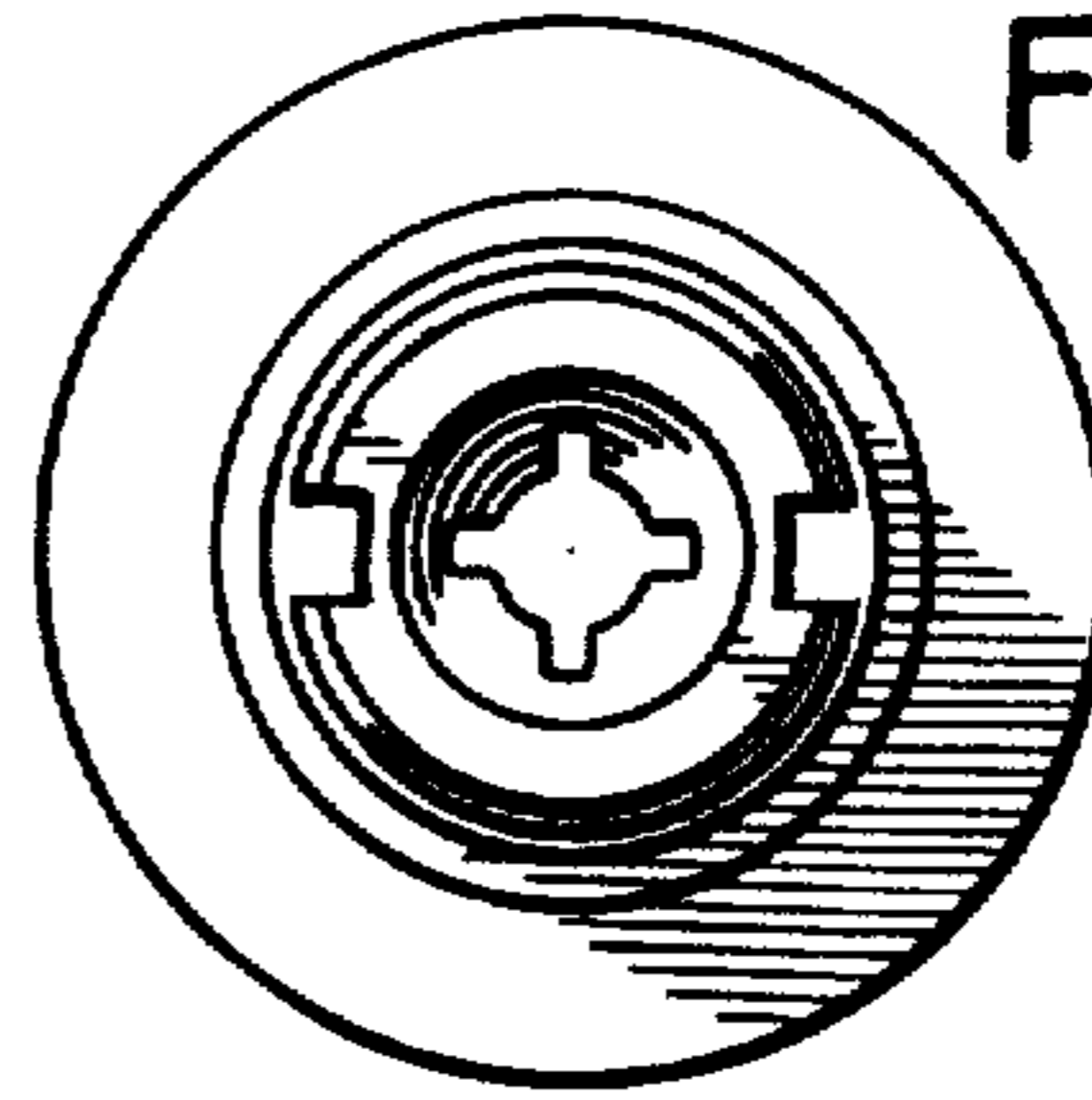


FIG-5

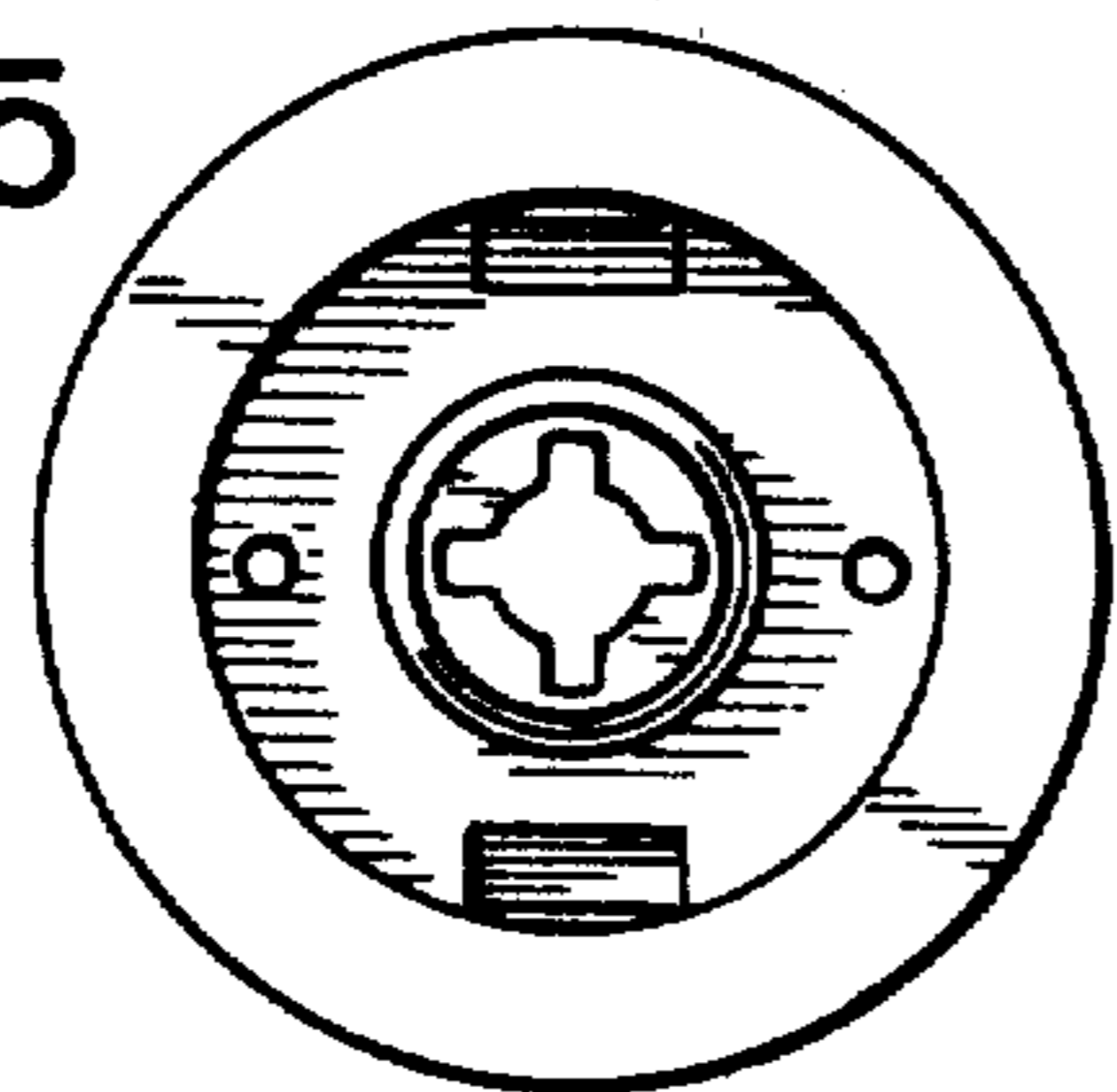


FIG-6

