

[54] ABRASIVE BLASTING WHEEL LINER

[76] Inventor: W. David Watts, P. O. Box 48,166, Atlanta, Ga. 30362

[\*\*] Term: 14 Years

[21] Appl. No.: 256,494

[22] Filed: Apr. 22, 1981

[51] Int. Cl. .... D15-09

[52] U.S. Cl. .... D15/126

[58] Field of Search .... D15/124-126, D15/138; 51/410, 421, 422, 426, 431-435

[56] References Cited

U.S. PATENT DOCUMENTS

D. 266,092 9/1982 Tutton ..... D15/126

3,660,943 5/1972 Barnthouse ..... 51/434  
3,733,752 5/1973 Johnson ..... 51/426  
4,291,509 9/1981 Schulte et al. .... 51/431

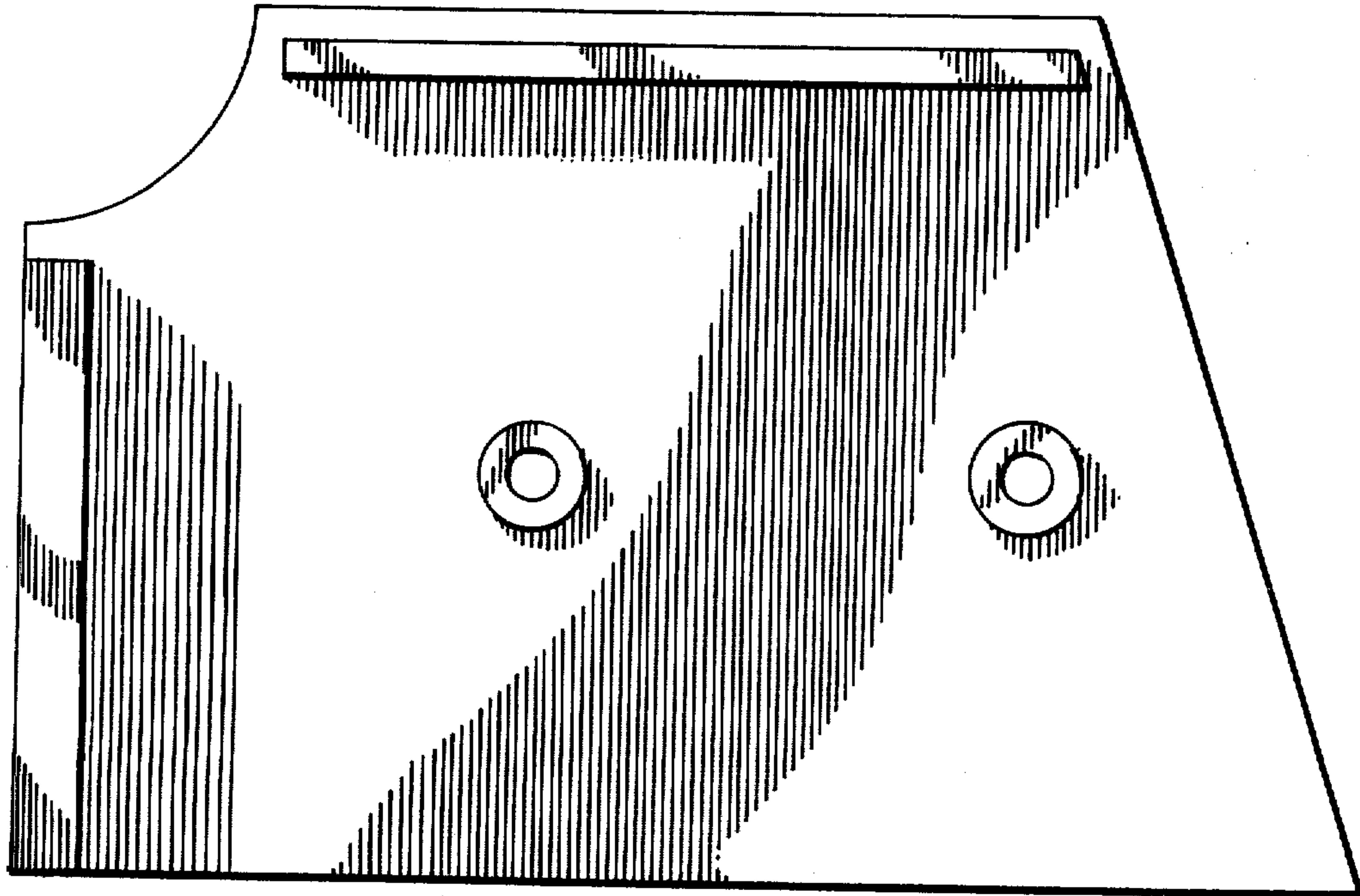
Primary Examiner—B. J. Bullock  
Attorney, Agent, or Firm—William Nitkin

[57] CLAIM

The ornamental design for an abrasive blasting wheel liner, as shown and described.

DESCRIPTION

FIG. 1 is a front view of an abrasive blasting wheel liner showing my new design;  
FIG. 2 is a rear view thereof;  
FIG. 3 is a side view taken from the left of FIG. 1;  
FIG. 4 is a side view taken from the right of FIG. 1;  
FIG. 5 is a top view thereof; and  
FIG. 6 is a bottom view thereof.



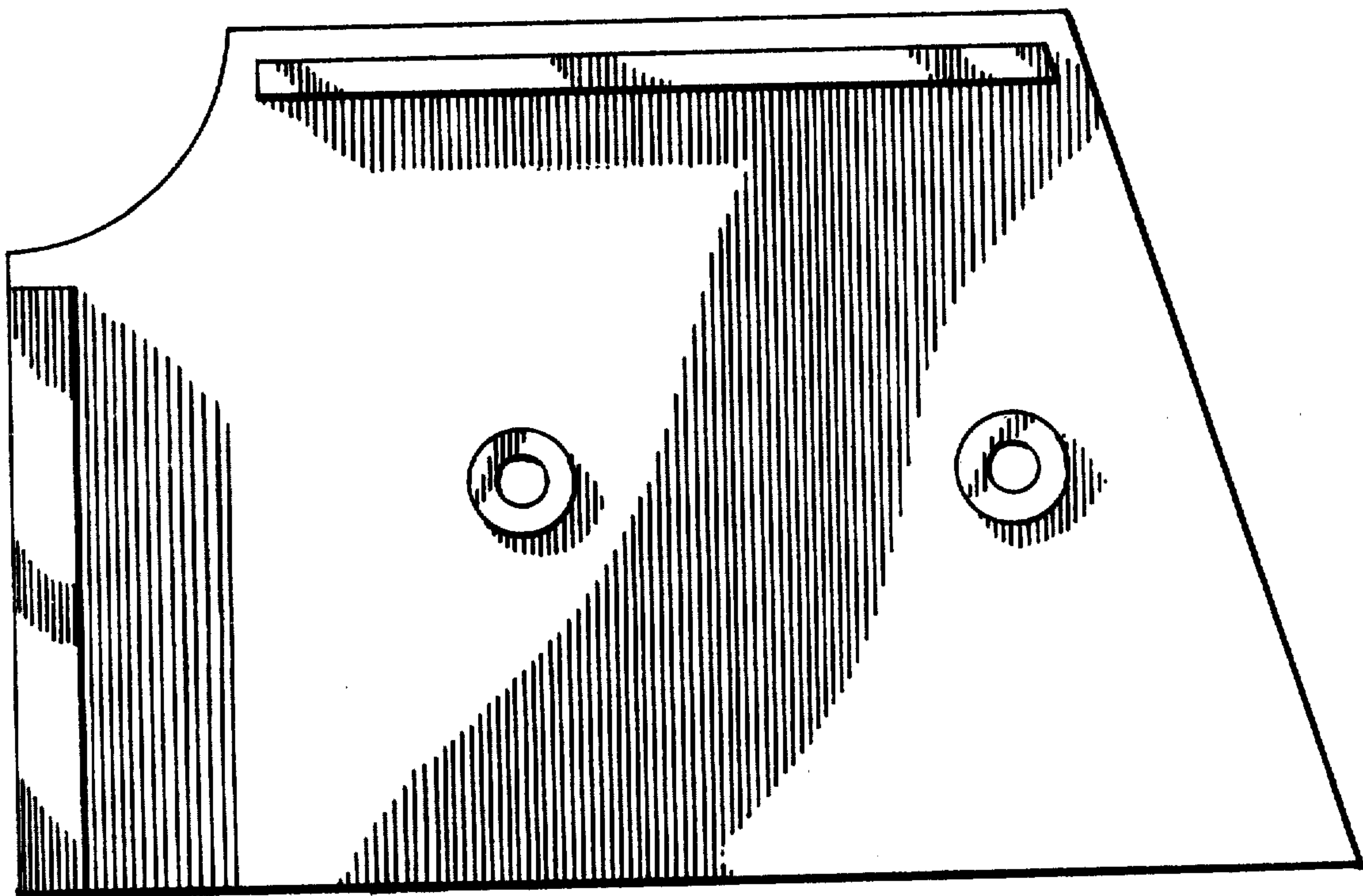


FIG. 1

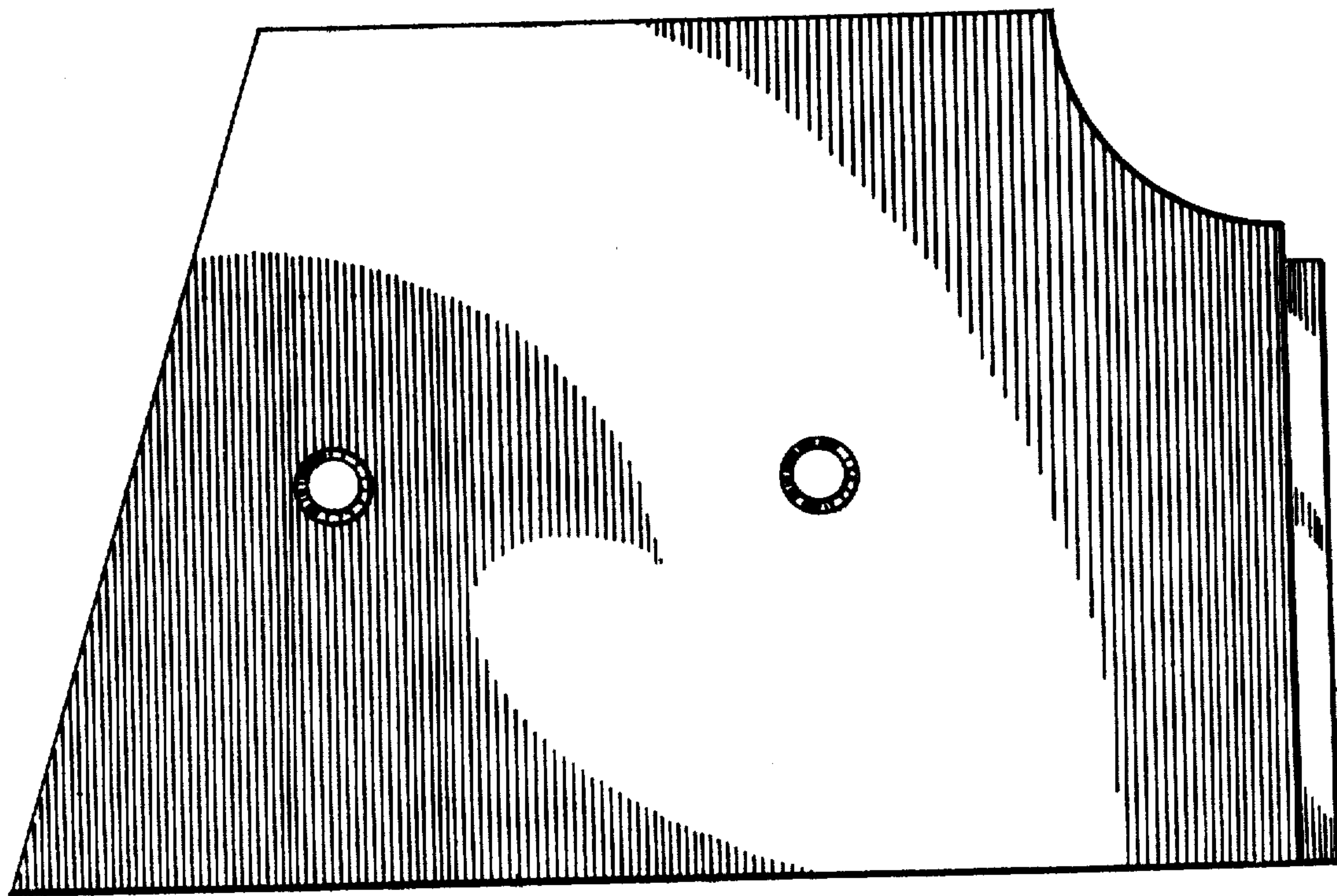


FIG. 2



FIG. 3



FIG. 4

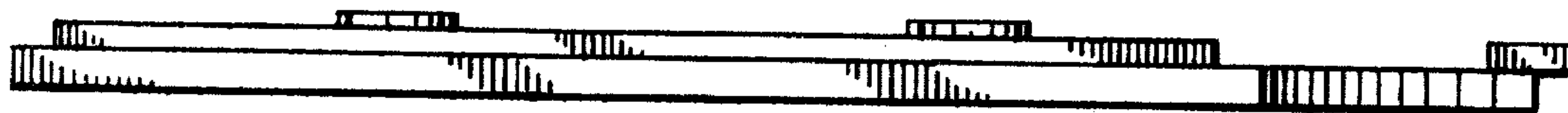


FIG. 5

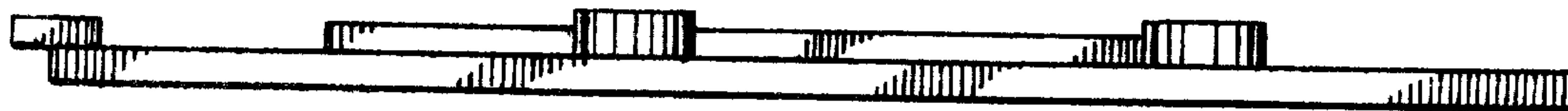


FIG. 6