

[54] SEWING MACHINE CONTROLLER

[75] Inventor: Susumu Hanyu, Hachioji, Japan

[73] Assignee: Janome Sewing Machine Co. Ltd., Tokyo, Japan

[\*\*] Term: 14 Years

[21] Appl. No.: 246,252

[22] Filed: Mar. 23, 1981

[30] Foreign Application Priority Data

Sep. 22, 1980 [JP] Japan ..... 55-38832

[51] Int. Cl. .... D15-99

[52] U.S. Cl. .... D15/72; D17/20

[58] Field of Search ..... D15/66, 72, 78, 67; D13/36; D17/20; D24/4, 5; 74/512, 560, 561; 112/217.4, 270, 277, 275; 84/426, 229, 1.17, DIG. 7, DIG. 25; 338/953

[56] References Cited

U.S. PATENT DOCUMENTS

D. 127,927 6/1941 Simonds ..... D13/36

D. 141,413 5/1945 Simonds ..... D13/36  
D. 246,649 12/1977 Braaten ..... D13/36  
3,380,413 4/1968 Kuramochi ..... 112/277 X  
4,299,182 11/1981 Tanaka ..... 112/277

FOREIGN PATENT DOCUMENTS

14-231433 4/1939 Japan ..... D13/36 X

Primary Examiner—Joel Stearman  
Assistant Examiner—Carmen H. Vales  
Attorney, Agent, or Firm—Michael J. Striker

[57] CLAIM

The ornamental design for a sewing machine controller, substantially as shown and described.

DESCRIPTION

FIG. 1 is a right perspective view of a sewing machine controller embodying my new design; FIG. 2 is a front elevational view thereof; FIG. 3 is a rear elevational view thereof; FIG. 4 is a right side elevational view thereof; FIG. 5 is a left side elevational view thereof; FIG. 6 is a top plan view thereof; and FIG. 7 is a bottom plan view thereof.

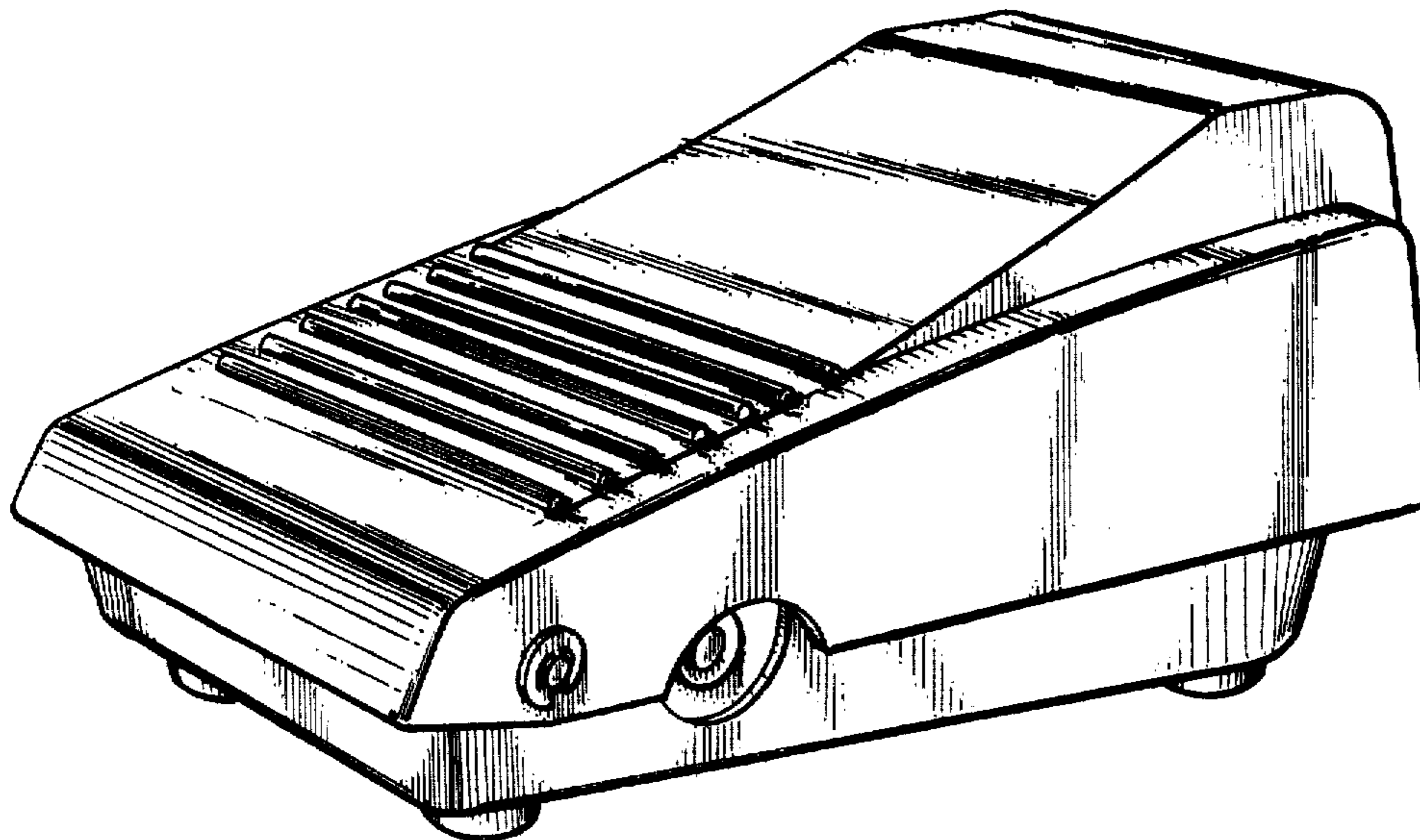


FIG. 4

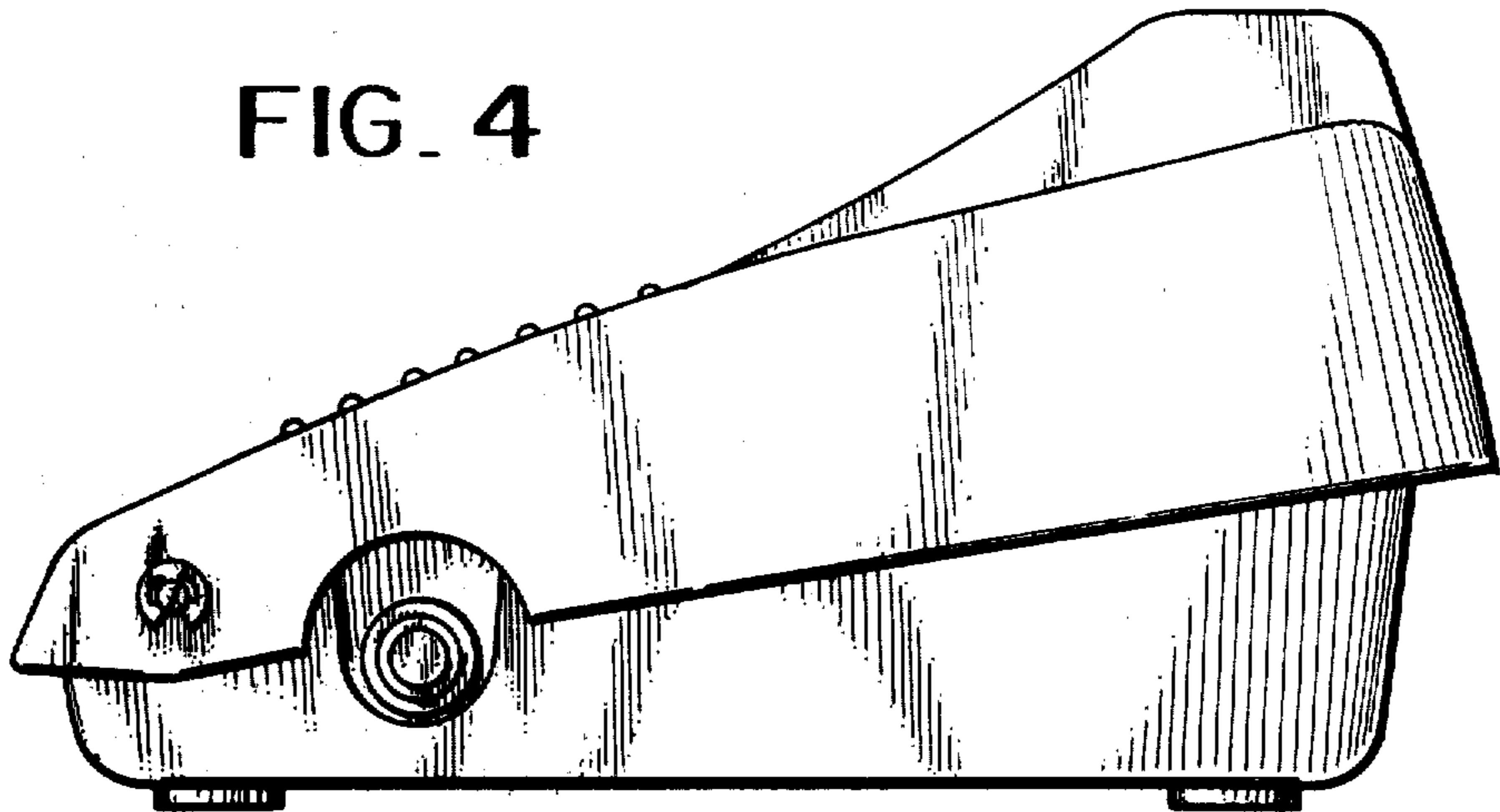


FIG. 5

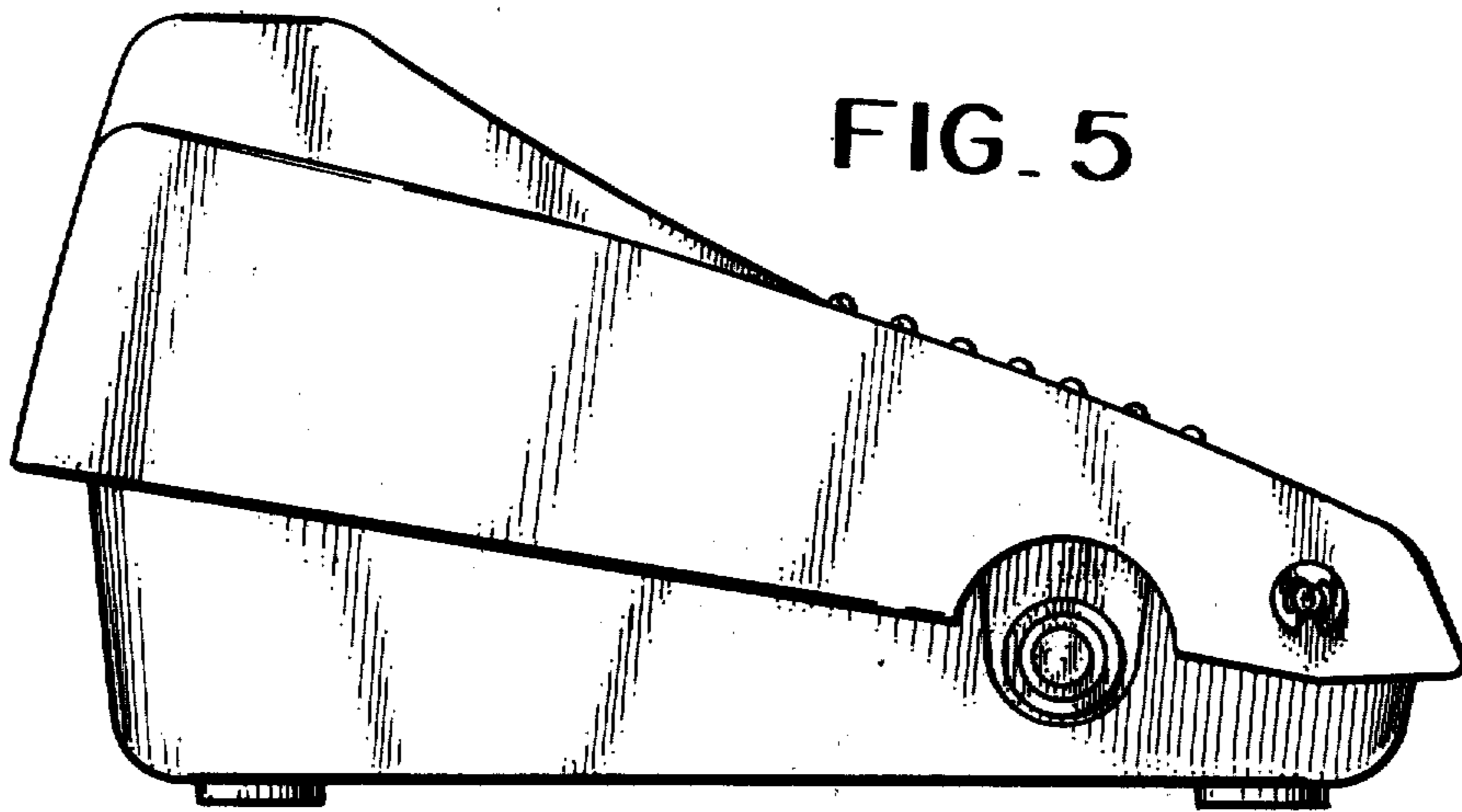


FIG. 1

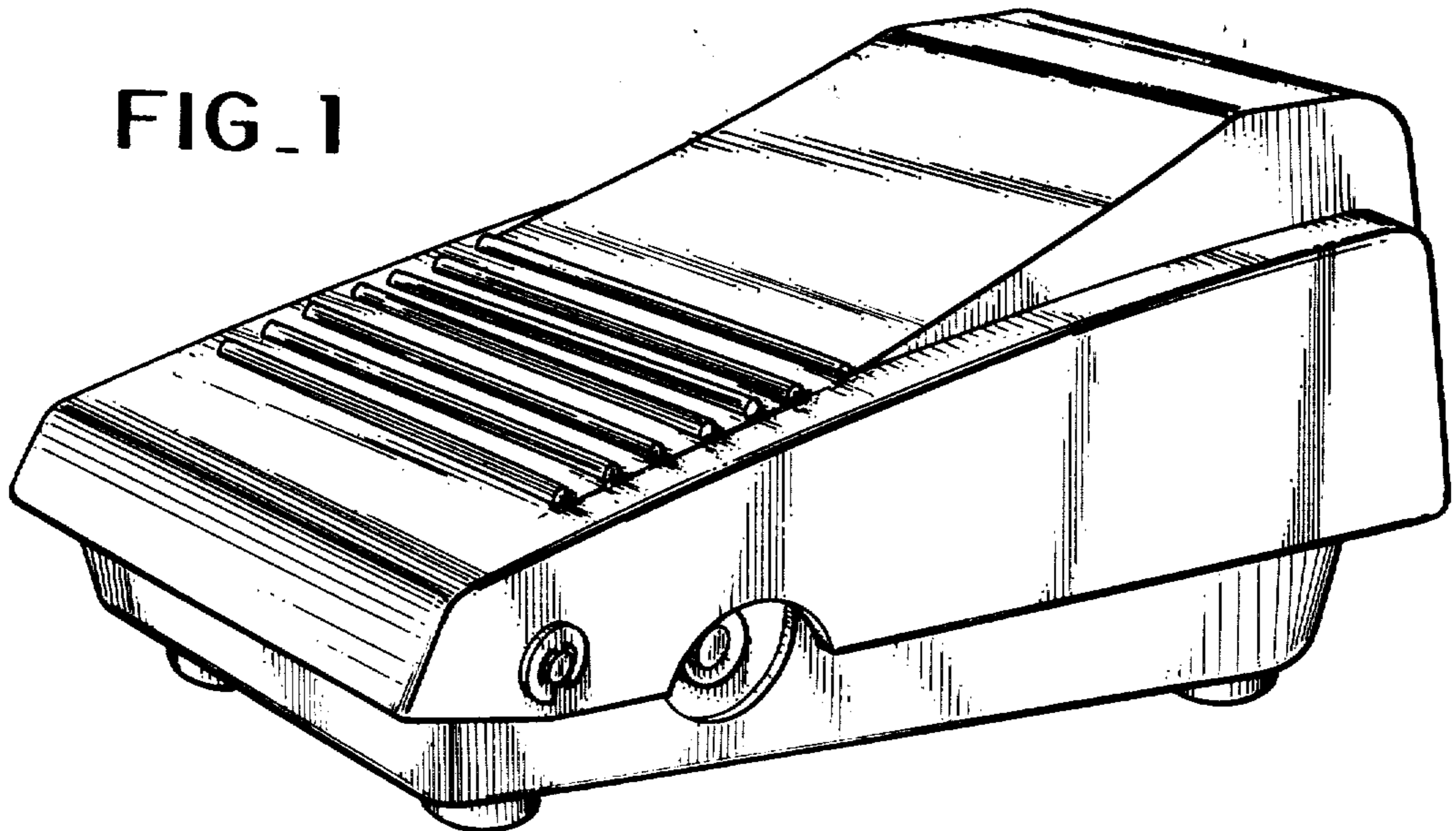


FIG. 2

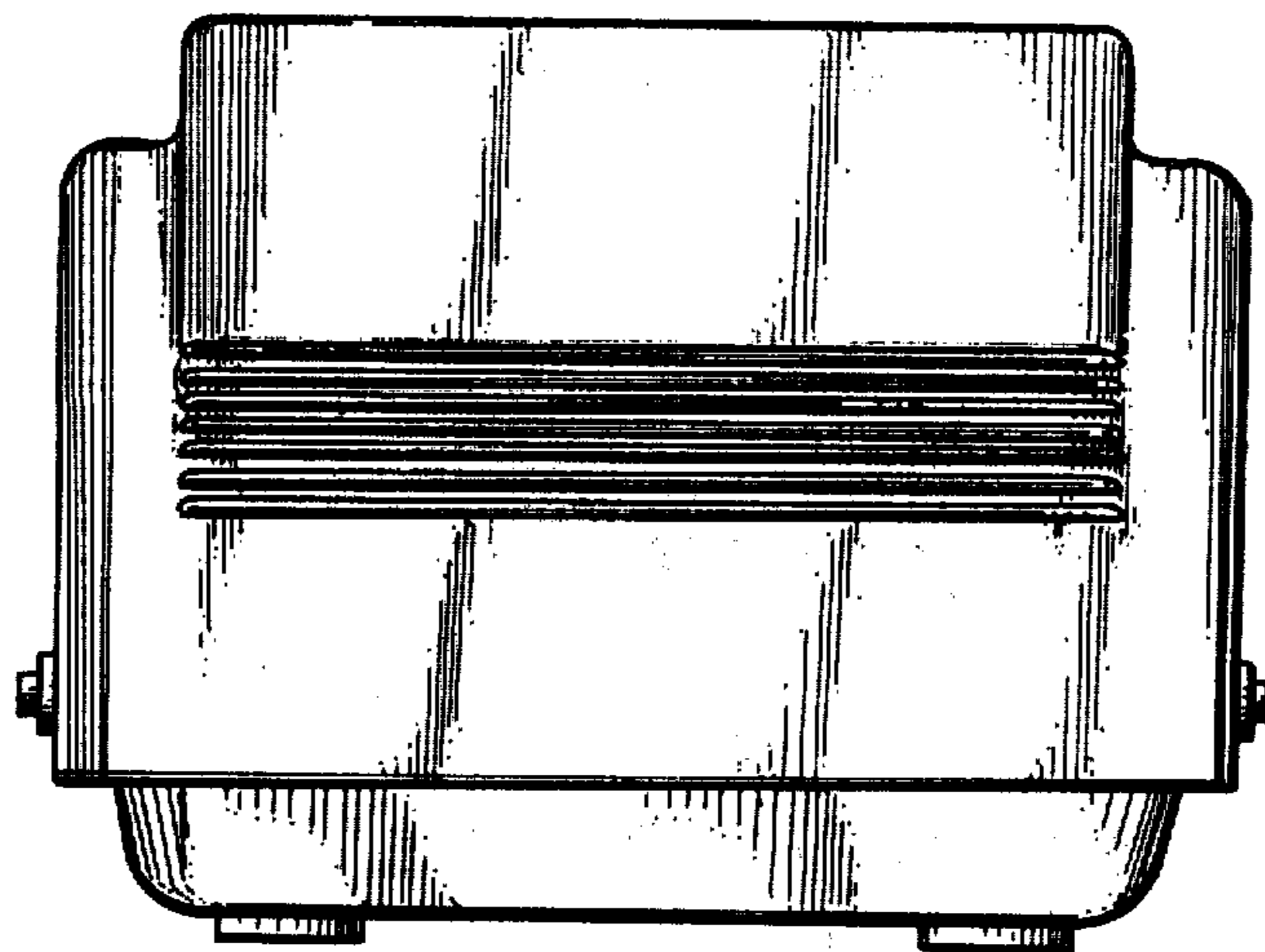


FIG. 6

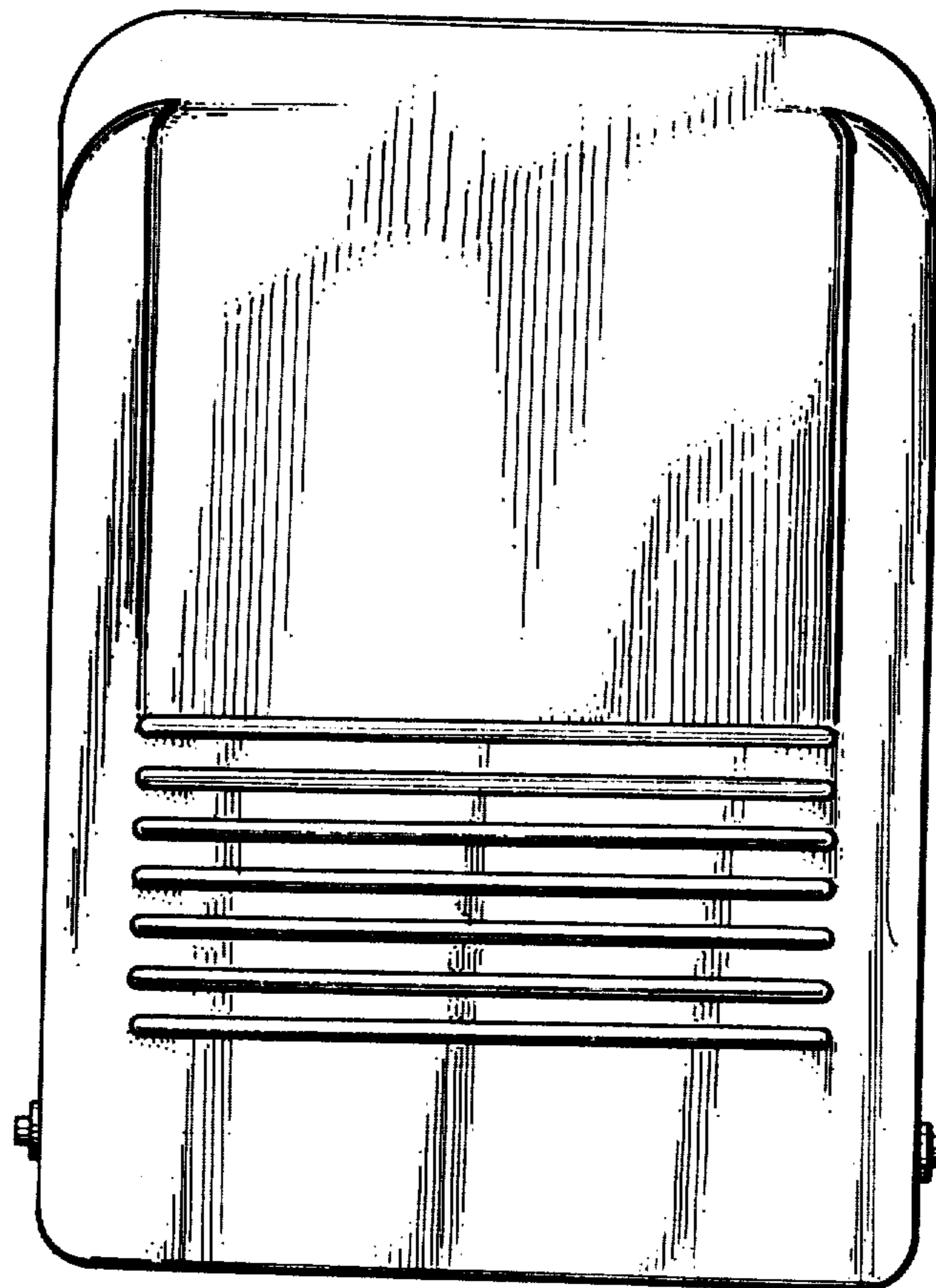


FIG. 2

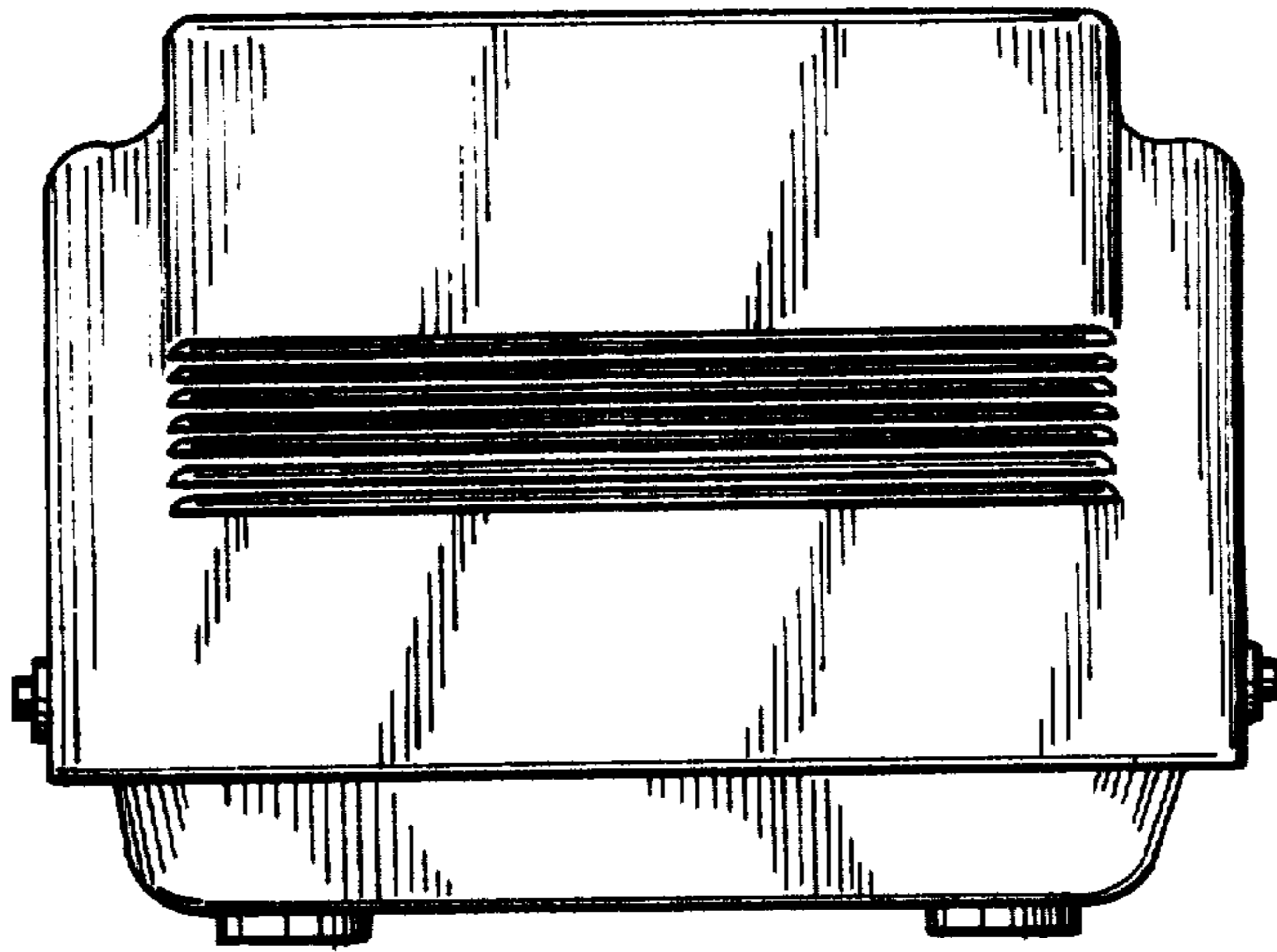


FIG. 6

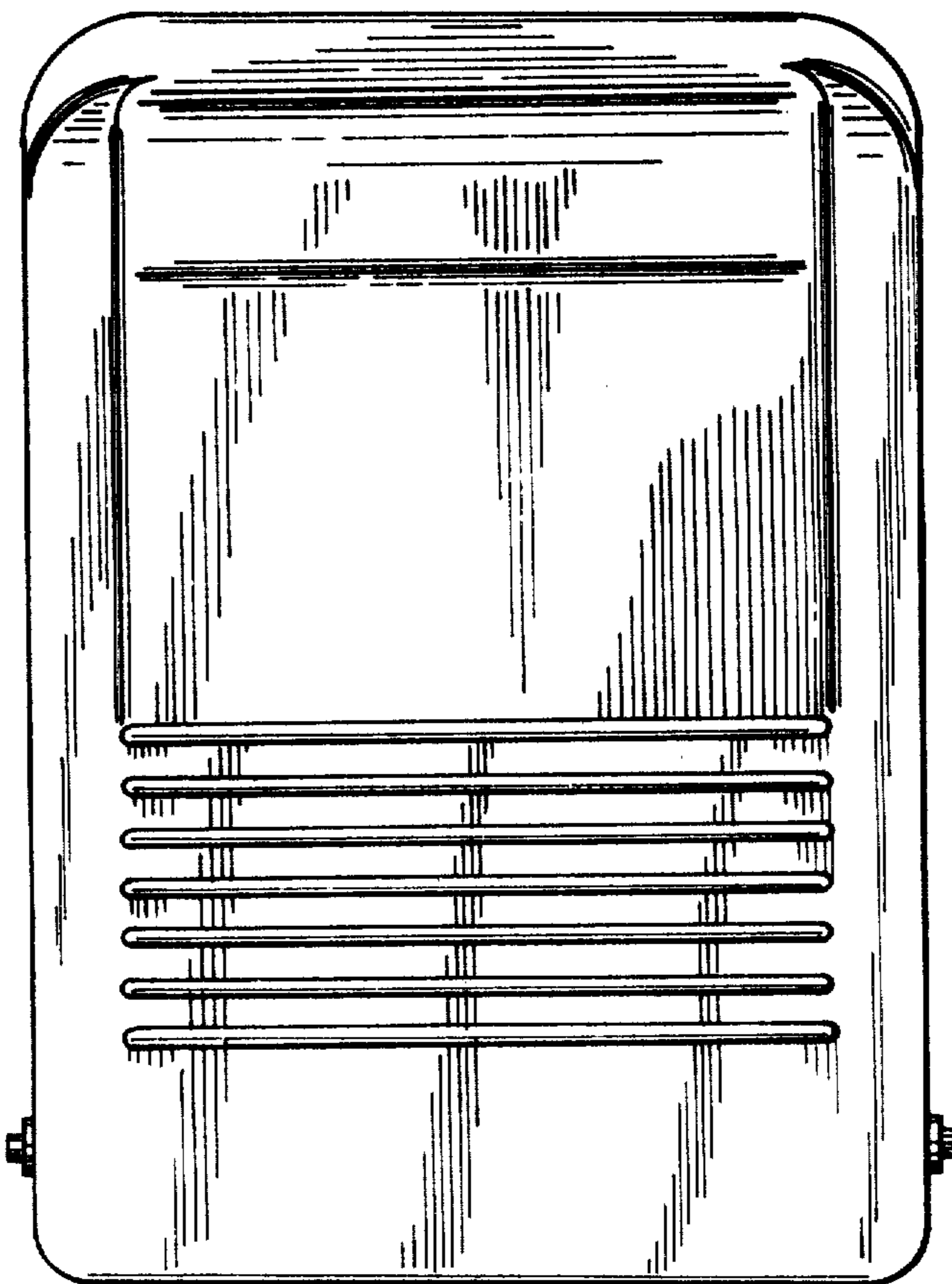


FIG. 3

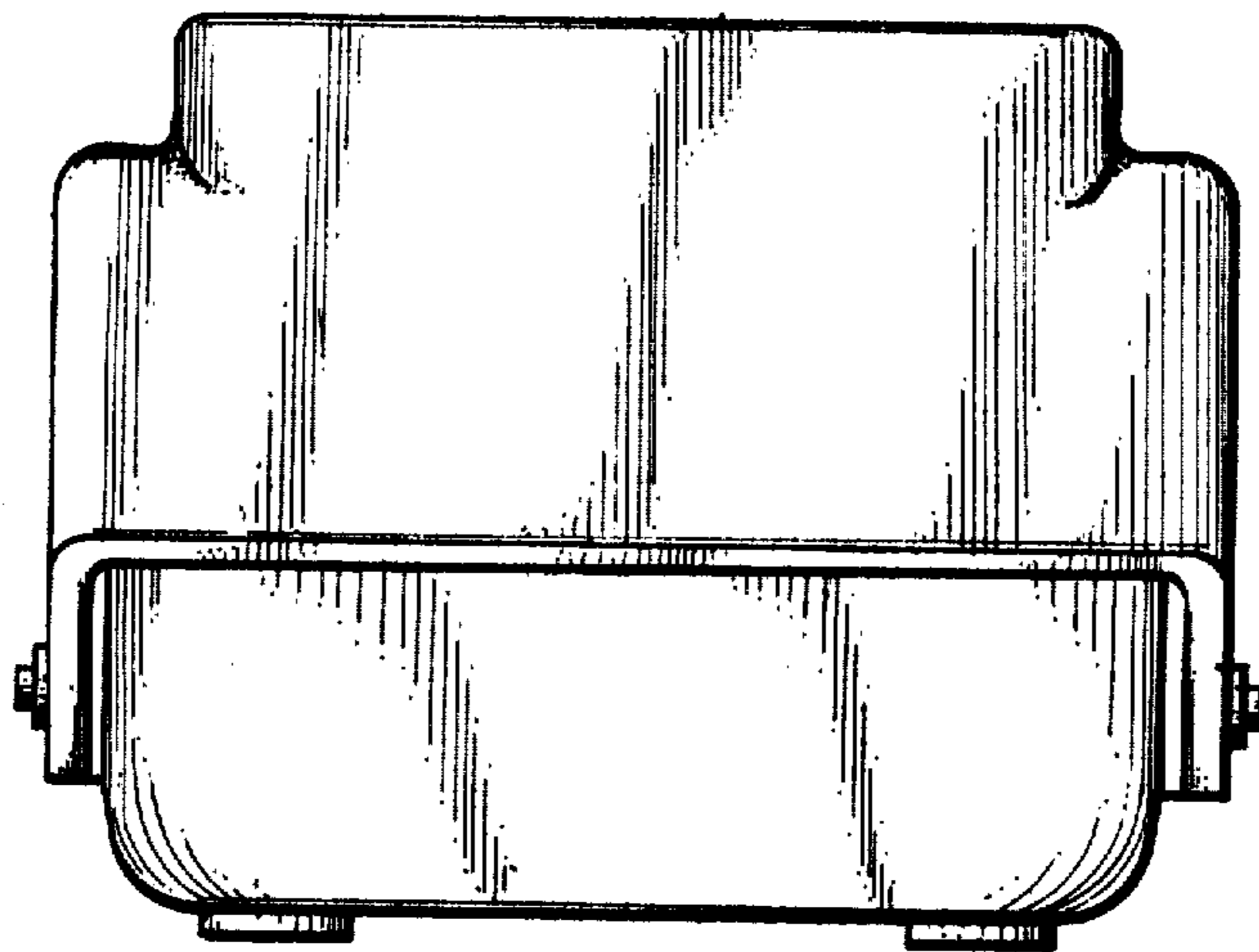


FIG. 7

