

[54] BULK MATERIAL HANDLING APPARATUS

3,790,986 2/1974 Burger 241/101.7
3,885,376 5/1975 Johnson 141/101.7

[75] Inventors: Roy O. Christianson; Ted T. Christianson, both of Blomkest, Minn.

FOREIGN PATENT DOCUMENTS

7552 of 1910 United Kingdom .

[73] Assignee: Christianson Systems, Inc., Blomkest, Minn.

Primary Examiner—Wallace R. Burke
Assistant Examiner—Suzanne N. Gitlin
Attorney, Agent, or Firm—Merchant, Gould, Smith, Edell, Welter & Schmidt

[**] Term: 14 Years

[21] Appl. No.: 285,475

[22] Filed: Jul. 21, 1981

[57] CLAIM

The ornamental design for a bulk material handling apparatus, substantially as shown.

[51] Int. Cl. D15-03

[52] U.S. Cl. D15/10

[58] Field of Search D15/10; 55/426, 38, 55/47, 57, 59; 210/512, 56

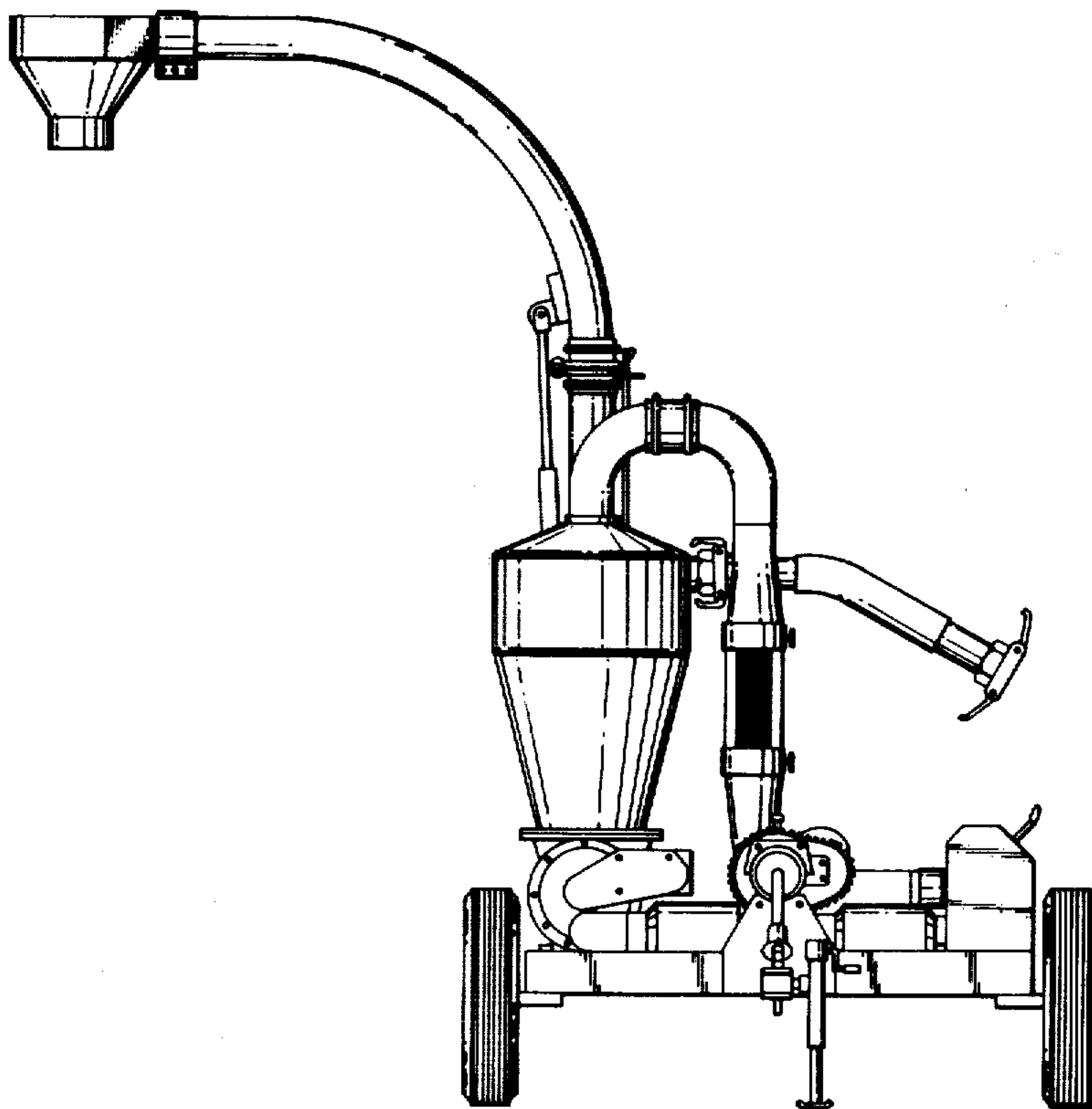
DESCRIPTION

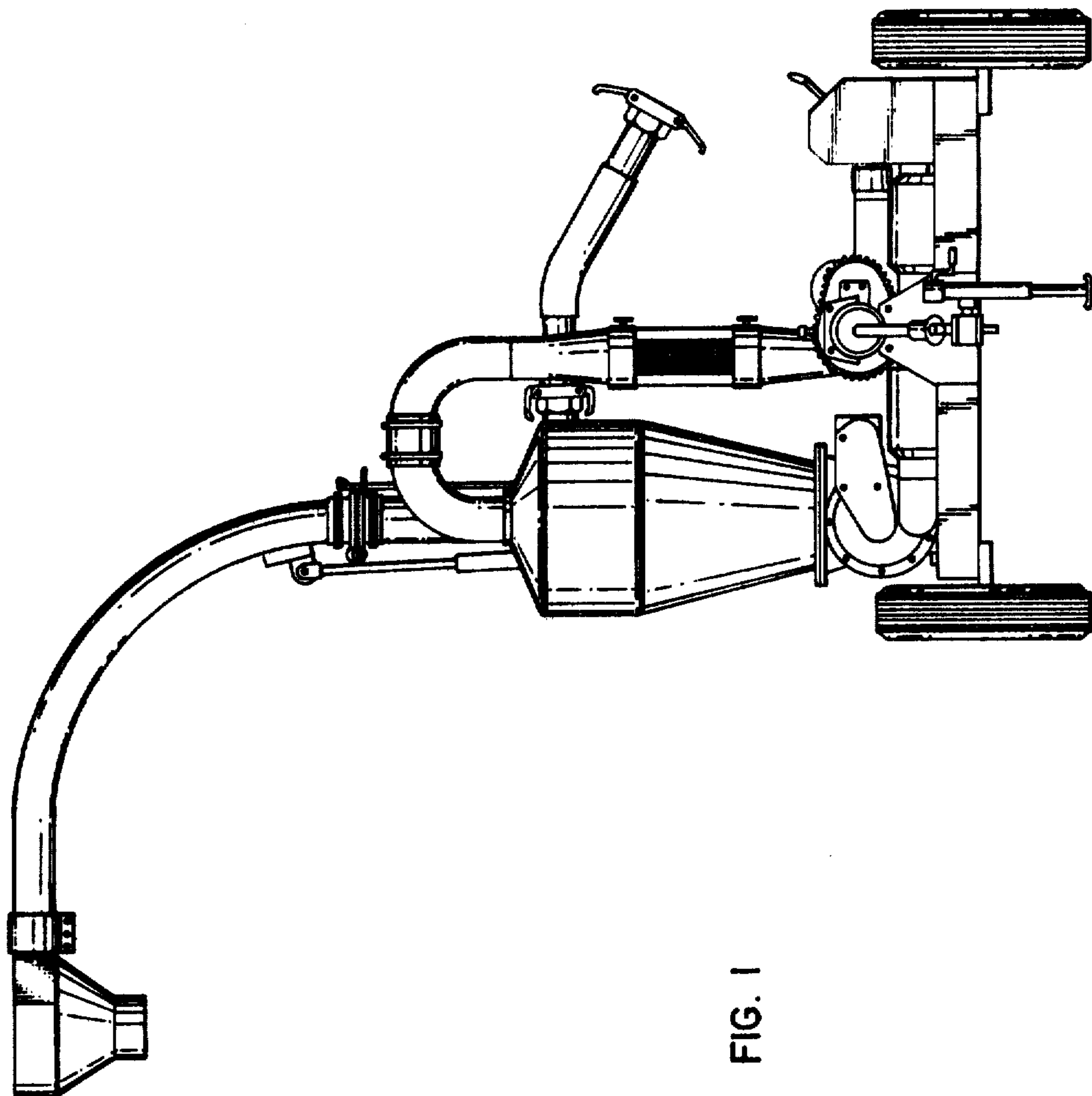
FIG. 1 is a front elevational view of a bulk material handling apparatus showing our new design; FIG. 2 is a view in side elevation thereof; FIG. 3 is a view in side elevation thereof showing the side opposite that seen in FIG. 2; FIG. 4 is a view in rear elevation thereof; and FIG. 5 is a view in top plan thereof. The bottom view, being substantially devoid of ornamentation, is not shown.

[56] References Cited

U.S. PATENT DOCUMENTS

- 2,230,425 2/1941 Finnegan .
- 2,557,344 6/1951 Erickson 241/101.7
- 2,946,626 7/1960 Atkinson .
- 3,583,910 6/1971 Stoddard .
- 3,697,005 10/1972 Lundin et al. 241/101.7





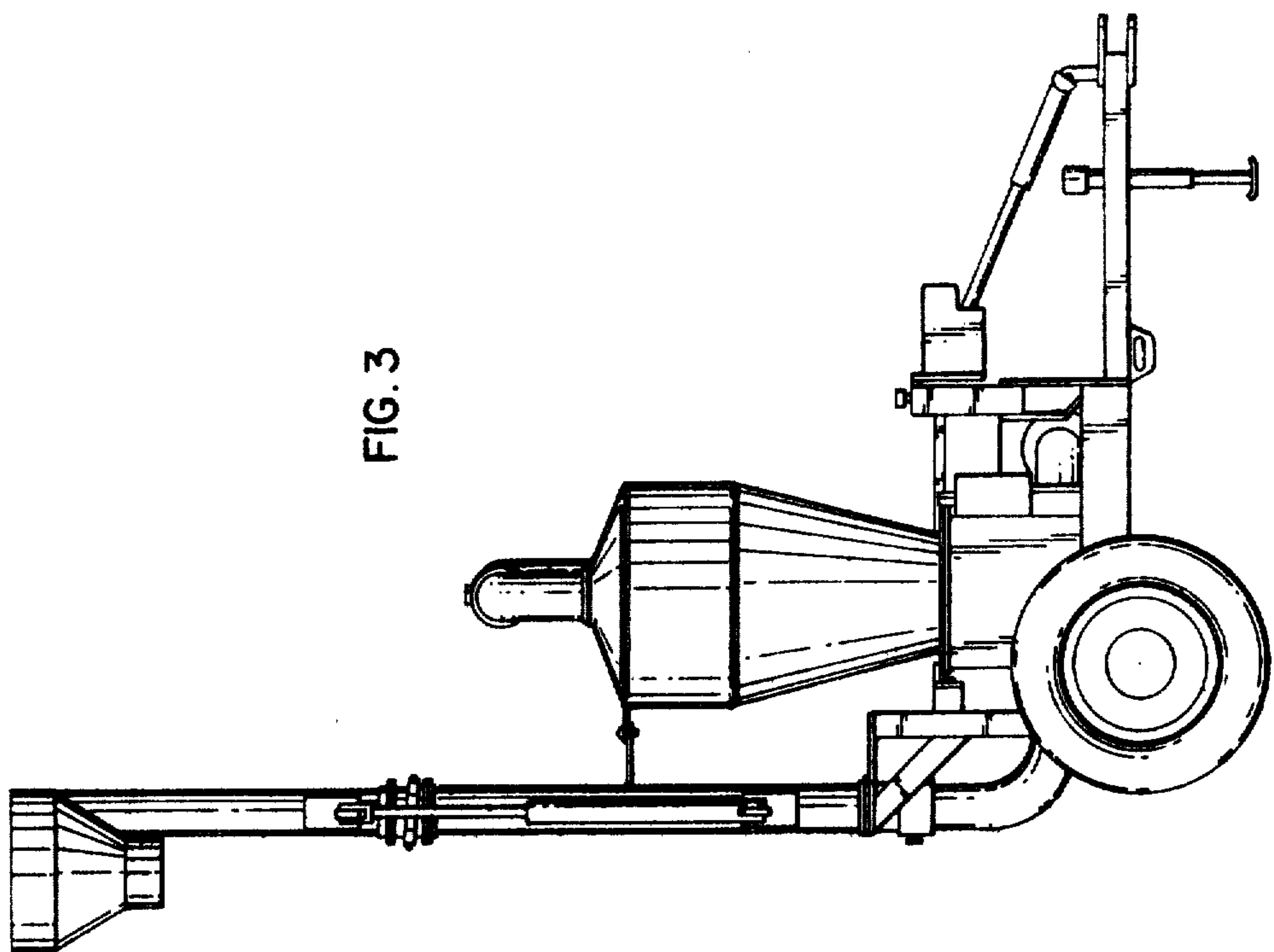


FIG. 3

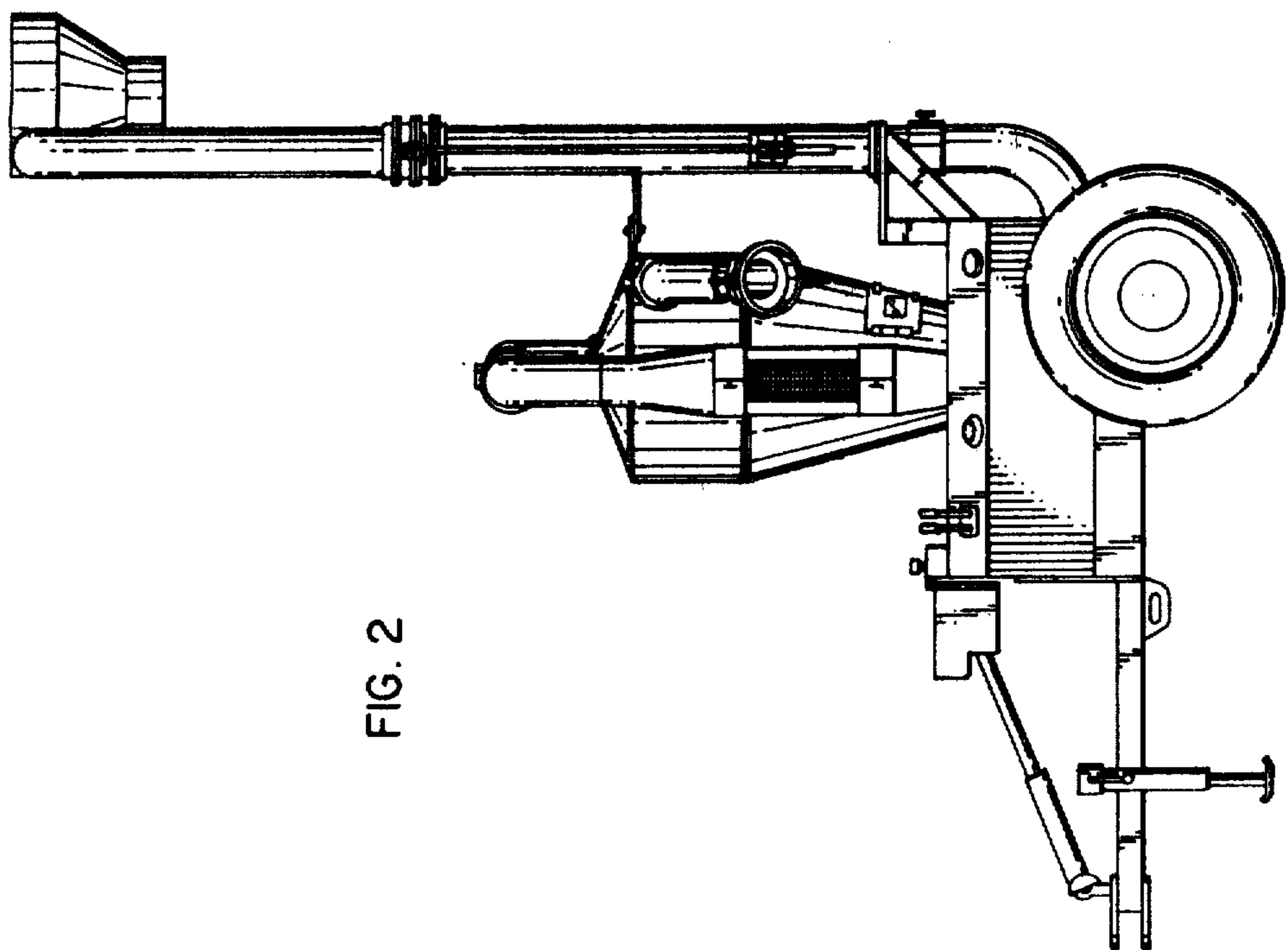


FIG. 2

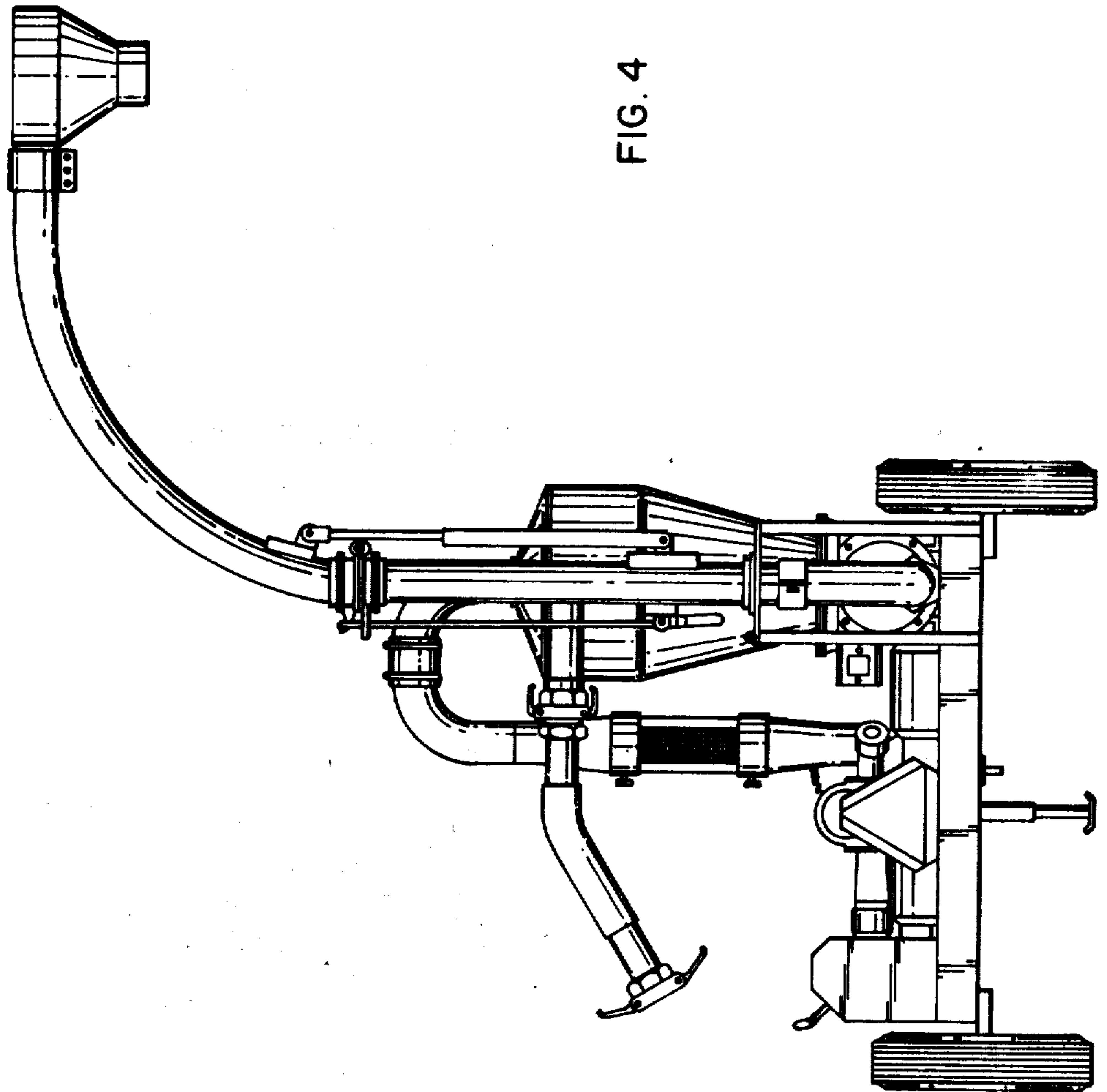


FIG. 4

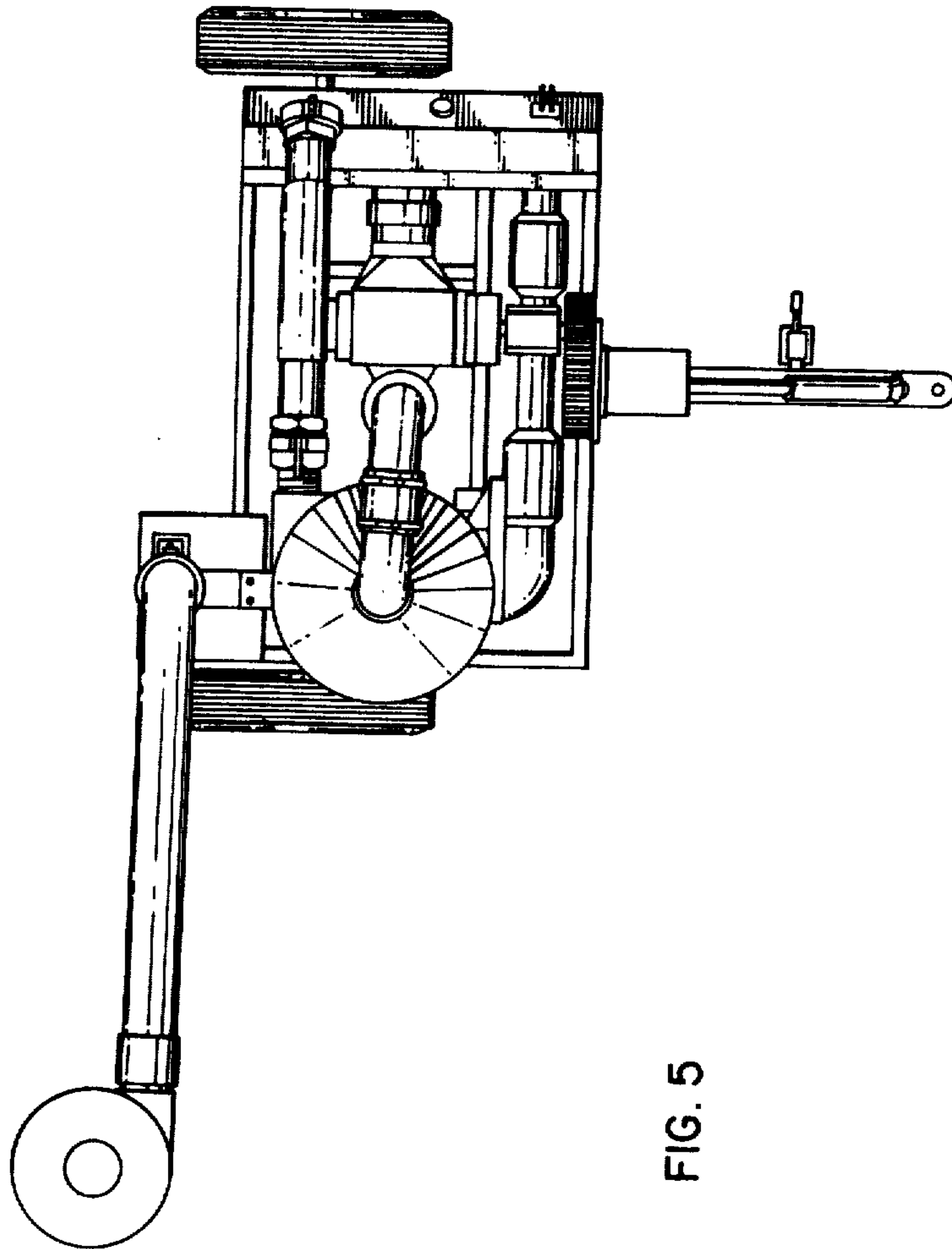


FIG. 5