

[54] FUEL PUMP HOUSING

[76] Inventor: Bolling H. Sasnett, Jr., 80 Forest Lake Dr. N. W., Atlanta, Ga. 30327

[**] Term: 14 Years

[21] Appl. No.: 284,462

[22] Filed: Jul. 17, 1981

[51] Int. Cl. D15-02

[52] U.S. Cl. D15/9.2; D15/9.1

[58] Field of Search D15/9.1, 9.2, 9.3; 137/234.6; 194/3, 5, 13; 222/14-16, 23-29, 32-37, 52, 63, 74-76, 173-175, 183-184, 523, 527-530, 538-539

[56] References Cited

U.S. PATENT DOCUMENTS

D. 232,969	9/1974	Breger	D15/9.1
D. 258,437	3/1981	Gray	D15/9.1
D. 258,439	3/1981	Gray	D15/9.2
D. 258,441	3/1981	Gray	D15/9.2

Primary Examiner—Nelson C. Holtje

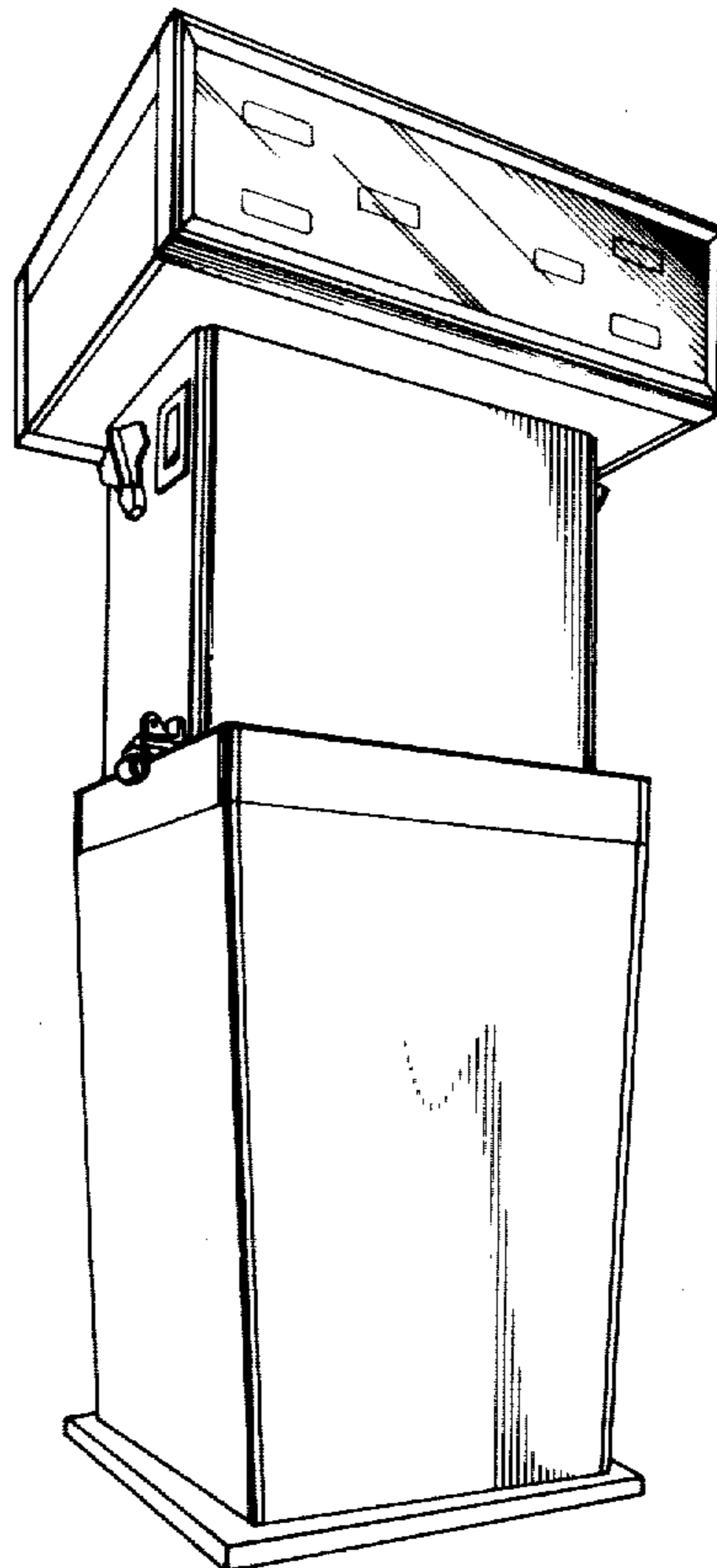
Attorney, Agent, or Firm—Newton, Hopkins & Ormsby

[57] CLAIM

The ornamental design for fuel pump housing, as shown and described.

DESCRIPTION

FIG. 1 is a left front perspective view of a fuel pump housing showing my new design;
 FIG. 2 is a top plan view thereof;
 FIG. 3 is a front elevational view thereof;
 FIG. 4 is a left side elevational view thereof;
 FIG. 5 is a rear elevational view thereof;
 FIG. 6 is a right side elevational view thereof;
 FIG. 7 is a left front perspective view of another embodiment of my new design of FIGS. 1-6; the top and right side views being identical to FIGS. 2 and 4 respectively;
 FIG. 8 is a front elevational view thereof, the rear view being substantially a mirror image thereto;
 FIG. 9 is a left front perspective view of yet another embodiment of my new design of FIGS. 1-6;
 FIG. 10 is a top plan view thereof with the side hose fittings omitted for ease of illustration;
 FIG. 11 is a rear elevational view thereof;
 FIG. 12 is a right side elevational view thereof.



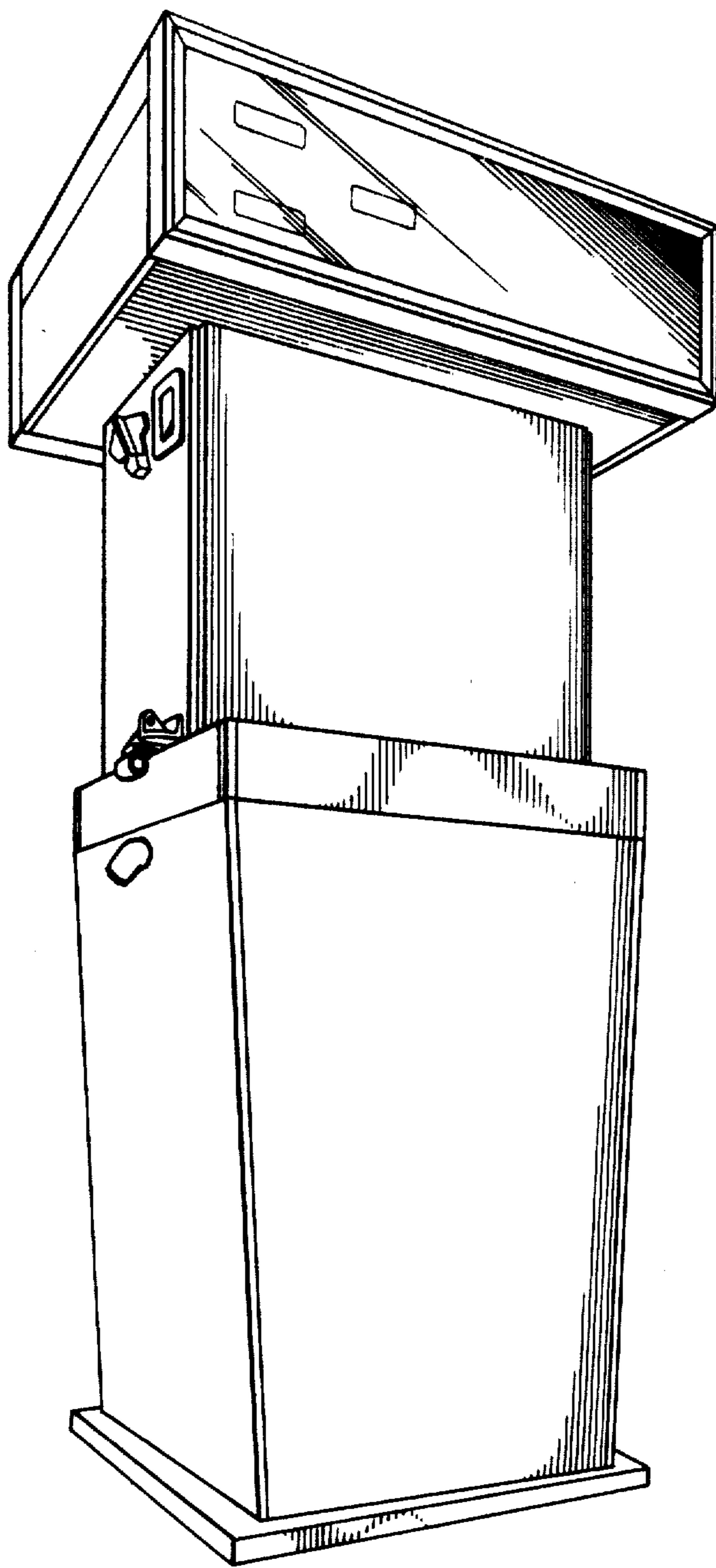


FIG 1

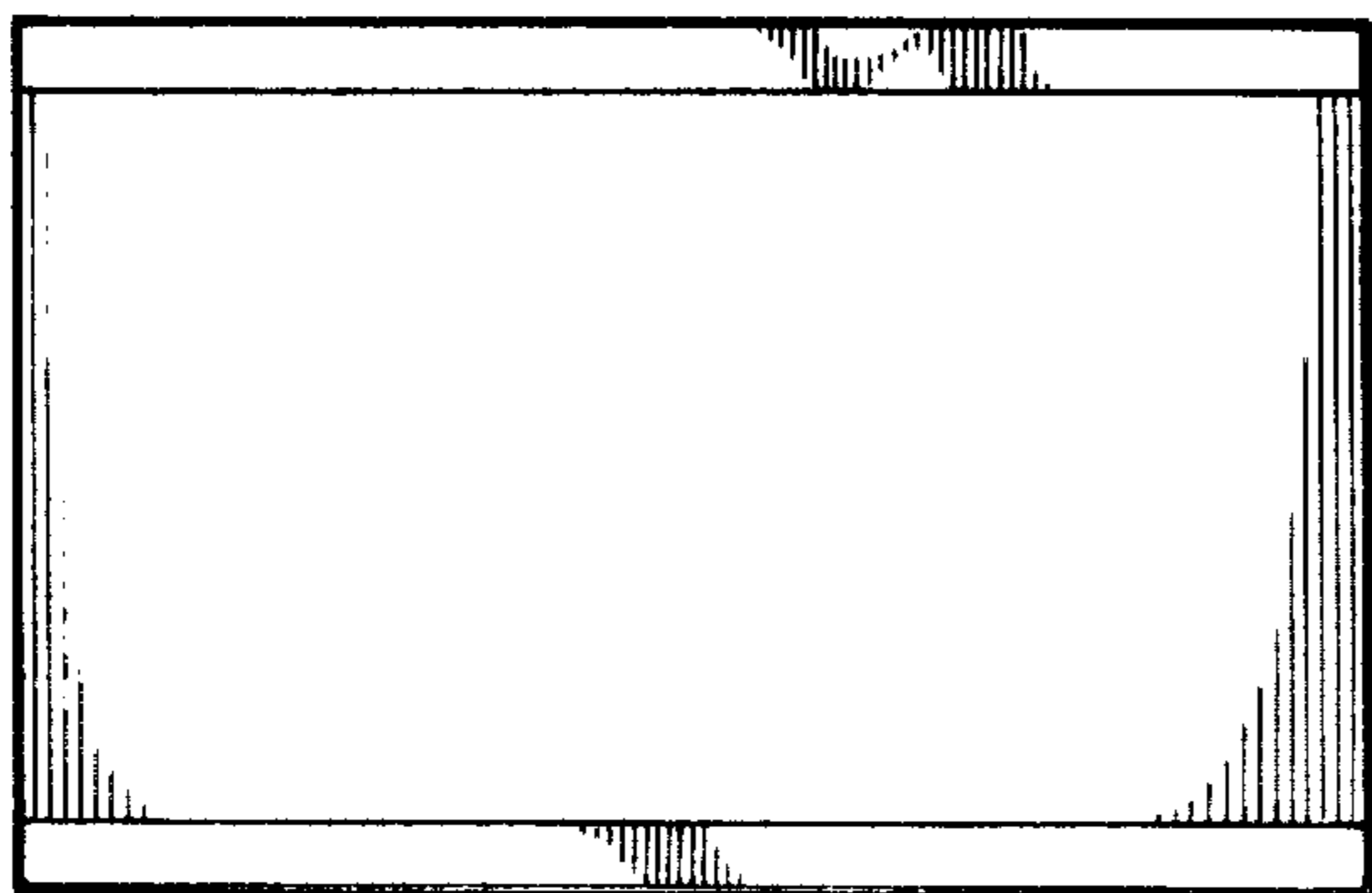


FIG 2

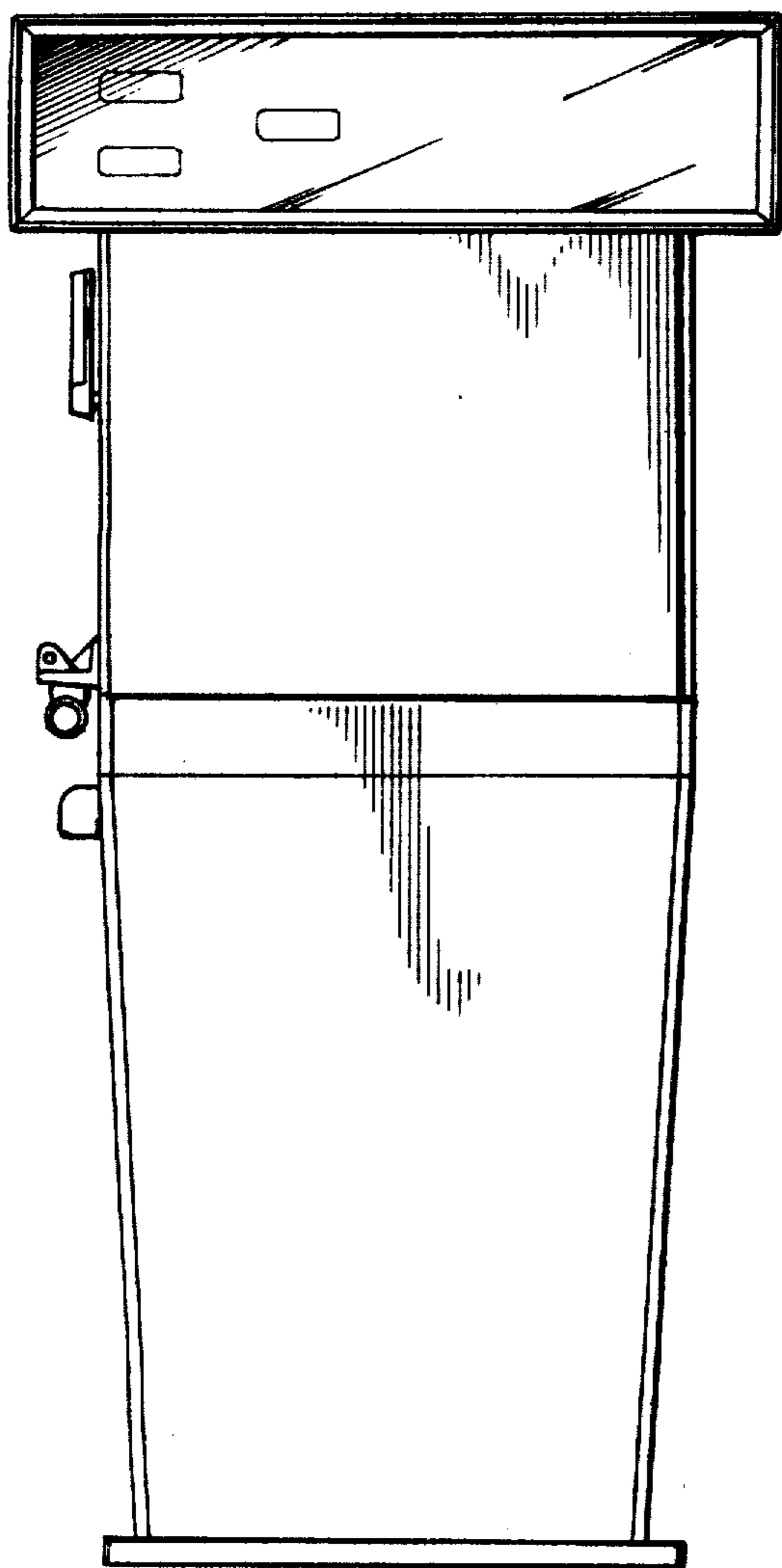


FIG 3

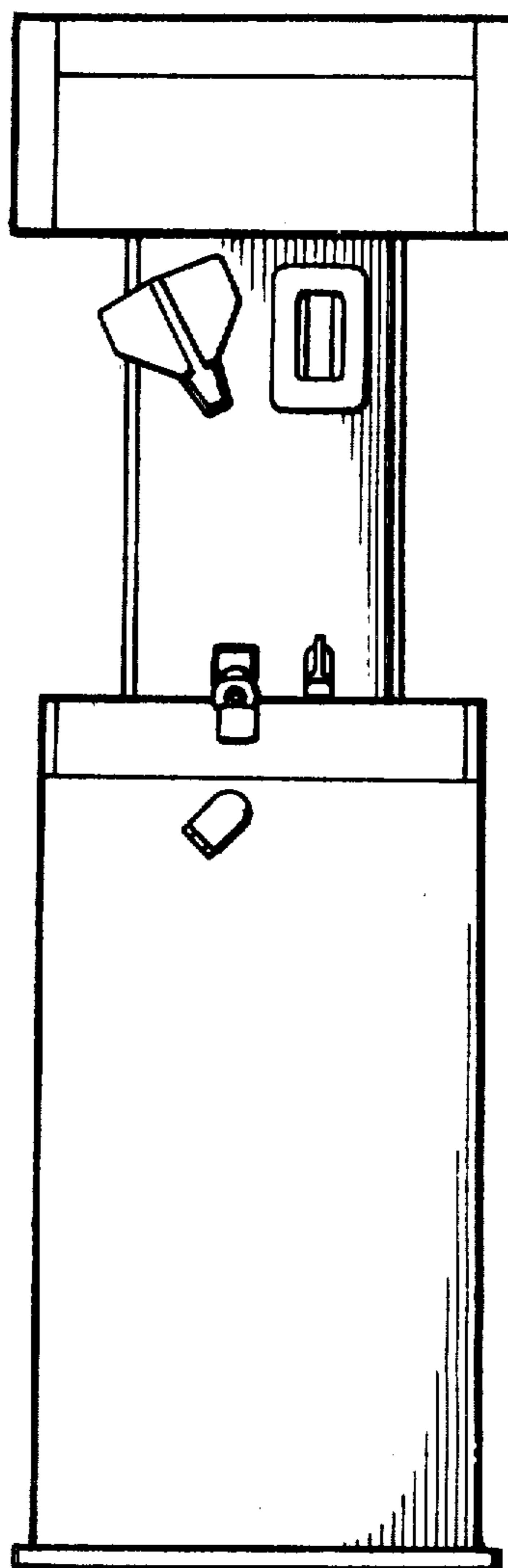


FIG 4

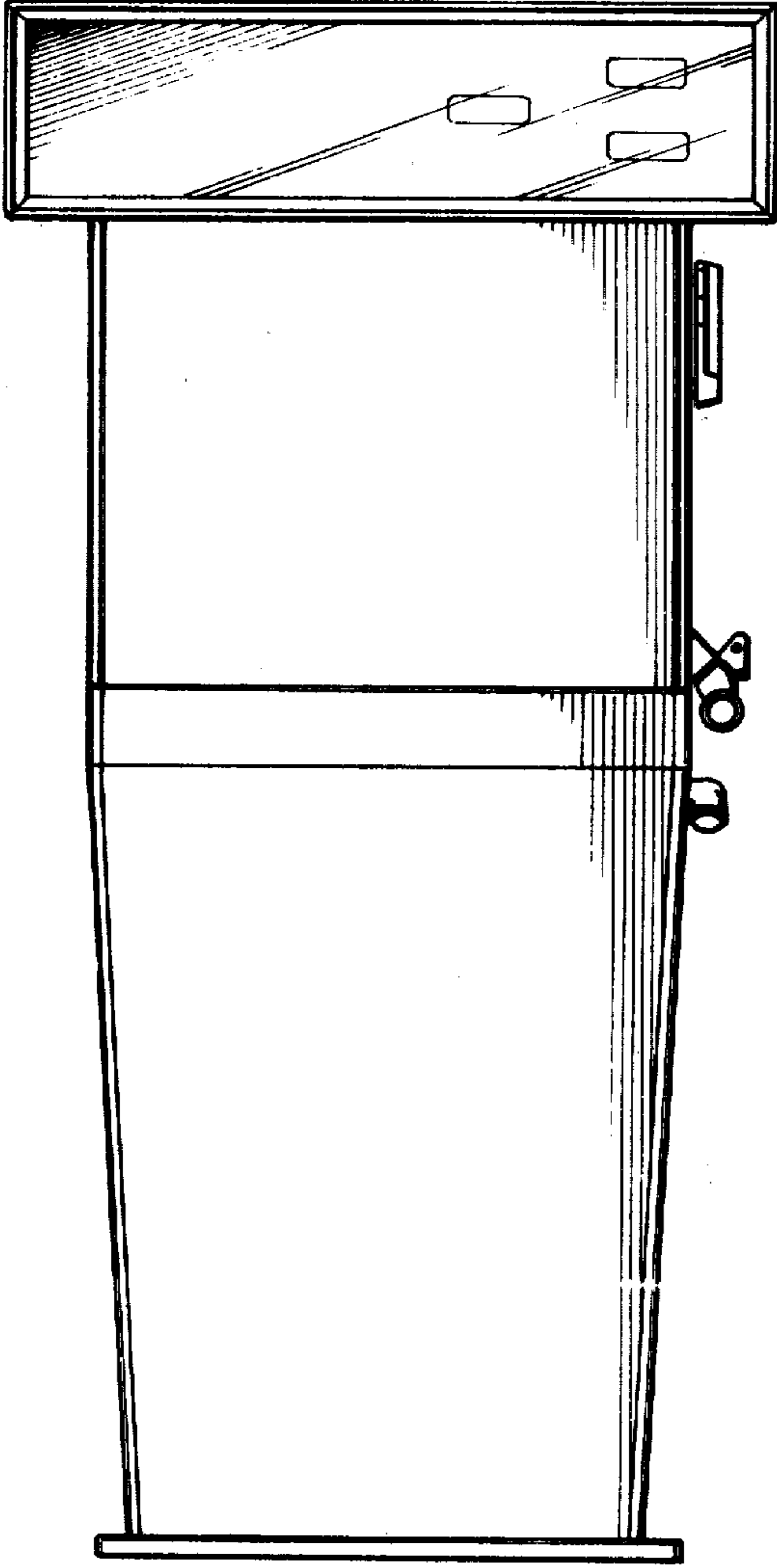


FIG 5

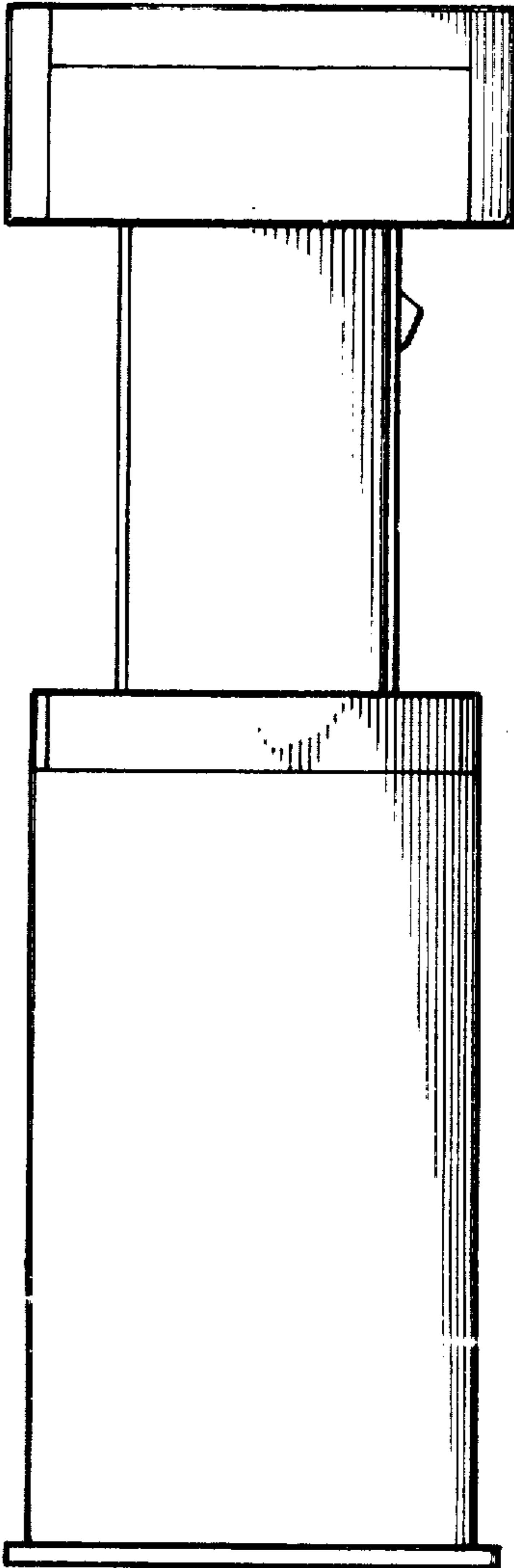


FIG 6

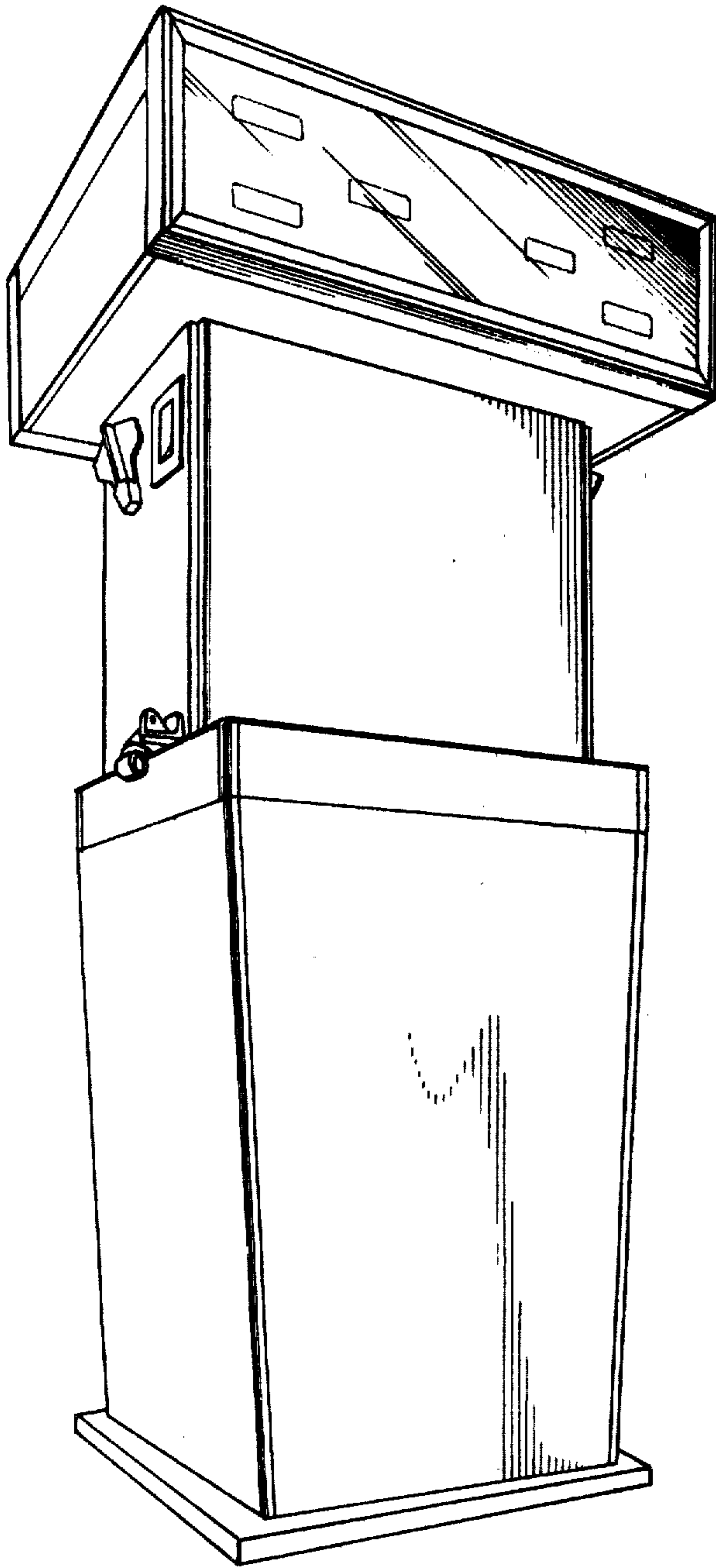


FIG 7

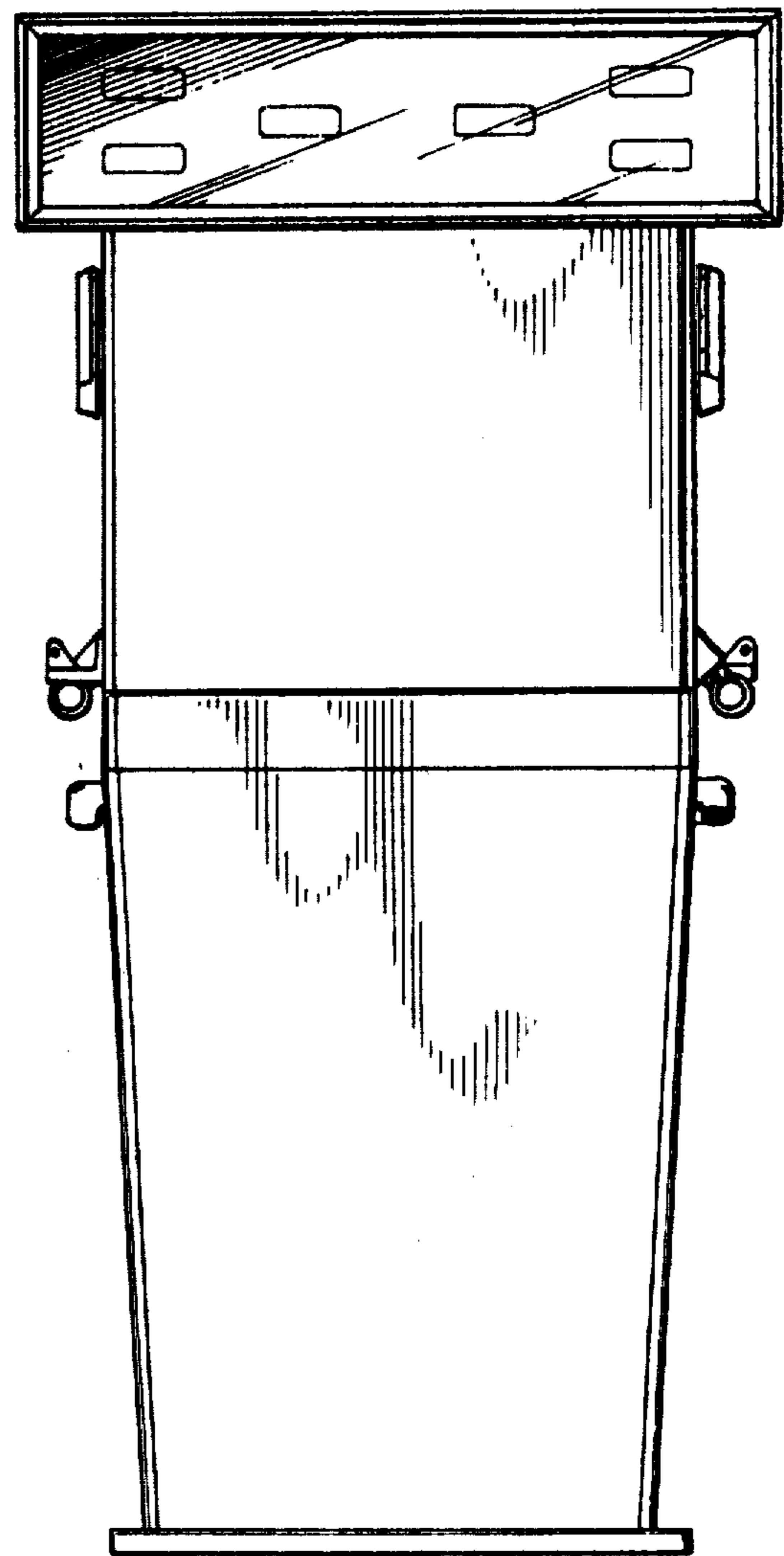


FIG 8

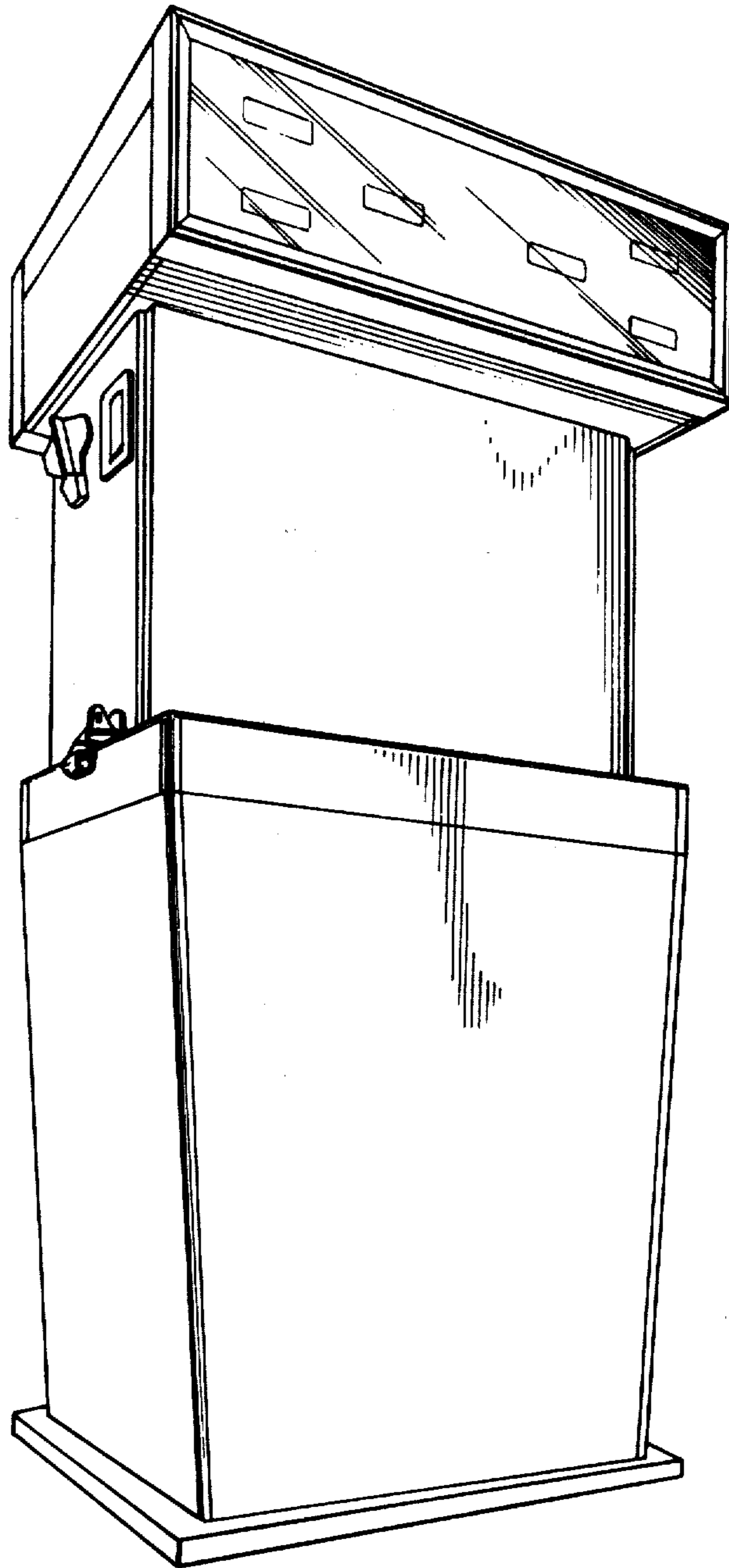


FIG 9

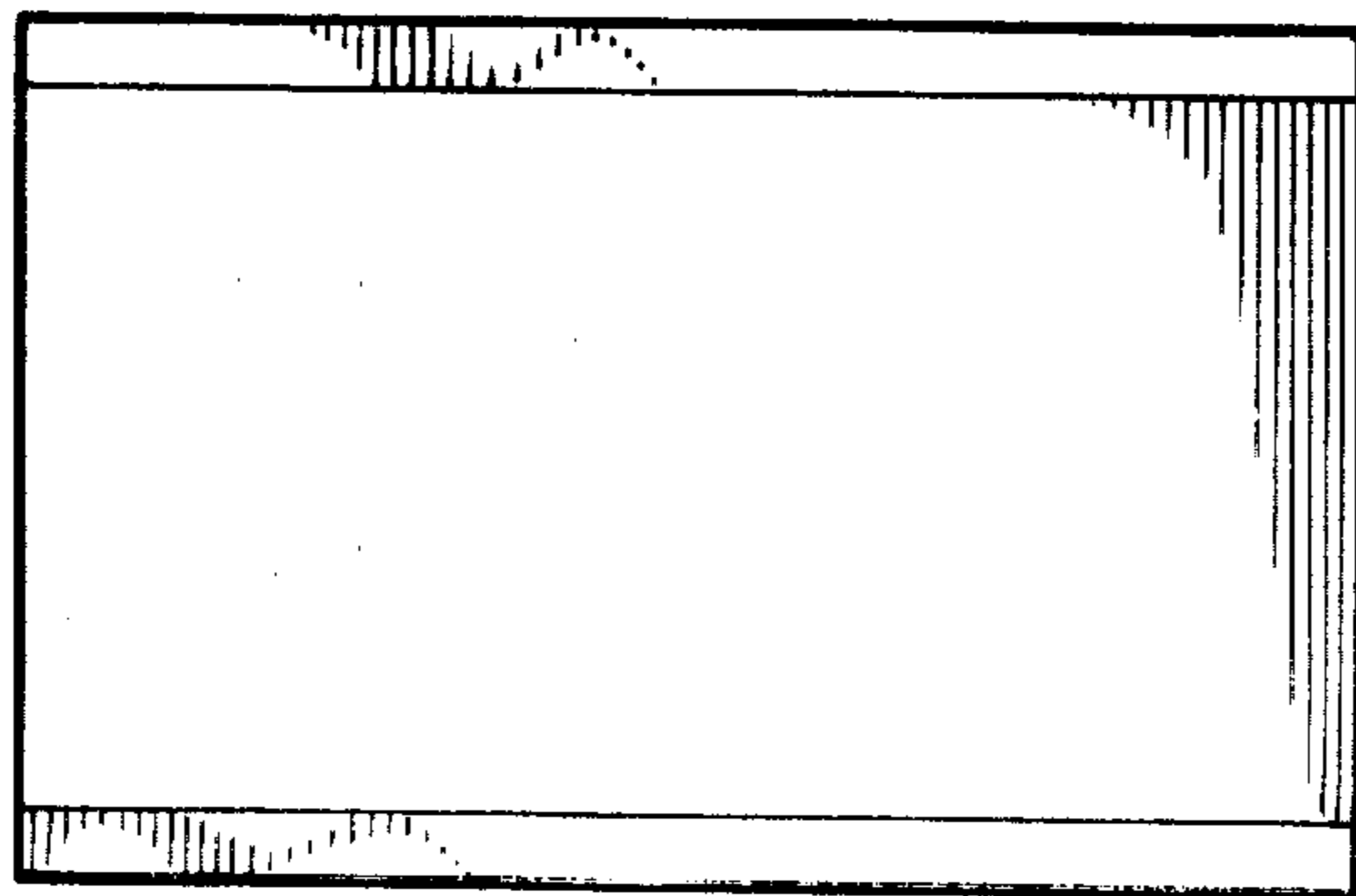


FIG 10

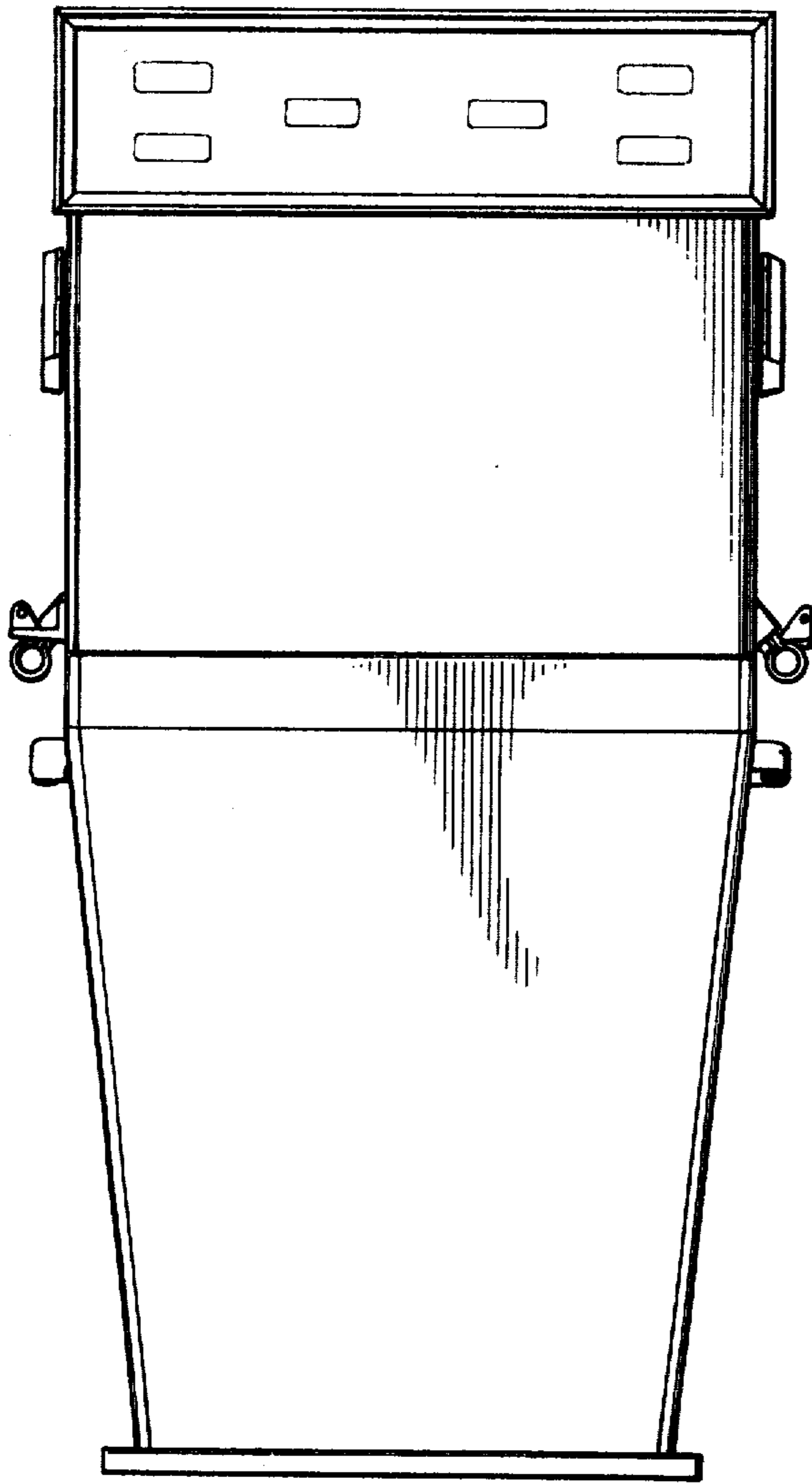


FIG 11

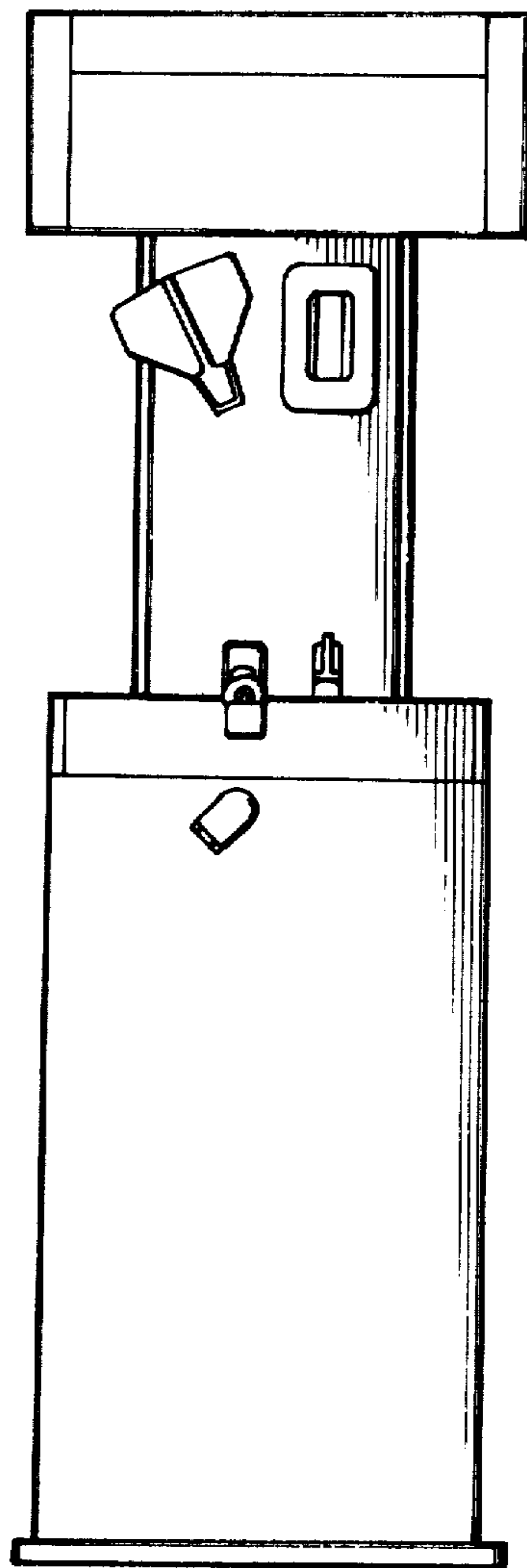


FIG 12