

[54] **DUAL DISK DRIVE**

[75] Inventors: **Jerrold C. Manock, Palo Alto; James R. Stewart, San Jose, both of Calif.**

[73] Assignee: **Apple Computer, Inc., Cupertino, Calif.**

[**] Term: **14 Years**

[21] Appl. No.: **295,091**

[22] Filed: **Aug. 24, 1981**

[51] Int. Cl. **D14-02**

[52] U.S. Cl. **D14/109**

[58] Field of Search **D14/100-115; 364/900; 360/99, 98**

[56] **References Cited**

U.S. PATENT DOCUMENTS

D. 266,426 10/1982 Dresselhaus **D14/115**

OTHER PUBLICATIONS

Computer Design, 7-78, p. 145, Persci Diskette Drive.

Primary Examiner—Susan J. Lucas

Attorney, Agent, or Firm—Blakely, Sokoloff, Taylor & Zafman

[57] **CLAIM**

The ornamental design for a dual disk drive, substantially as shown and described.

DESCRIPTION

FIG. 1 is a perspective view of the dual disk drive showing our new design;

FIG. 2 is a top plan view thereof;

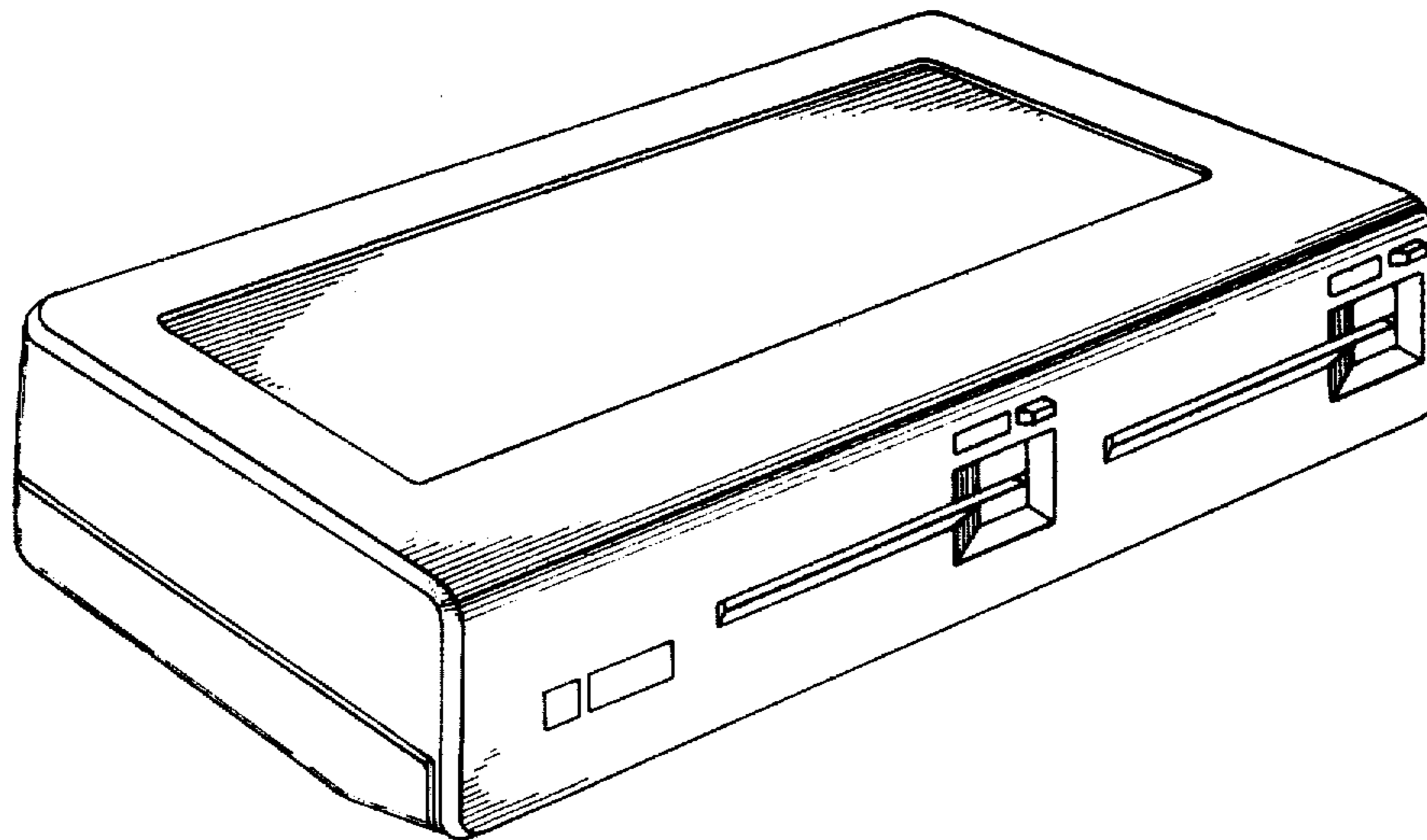
FIG. 3 is a front elevational view thereof;

FIG. 4 is a right side elevational view thereof;

FIG. 5 is a left side elevational view thereof;

FIG. 6 is a rear elevational view thereof;

FIG. 7 is a bottom plan view thereof.



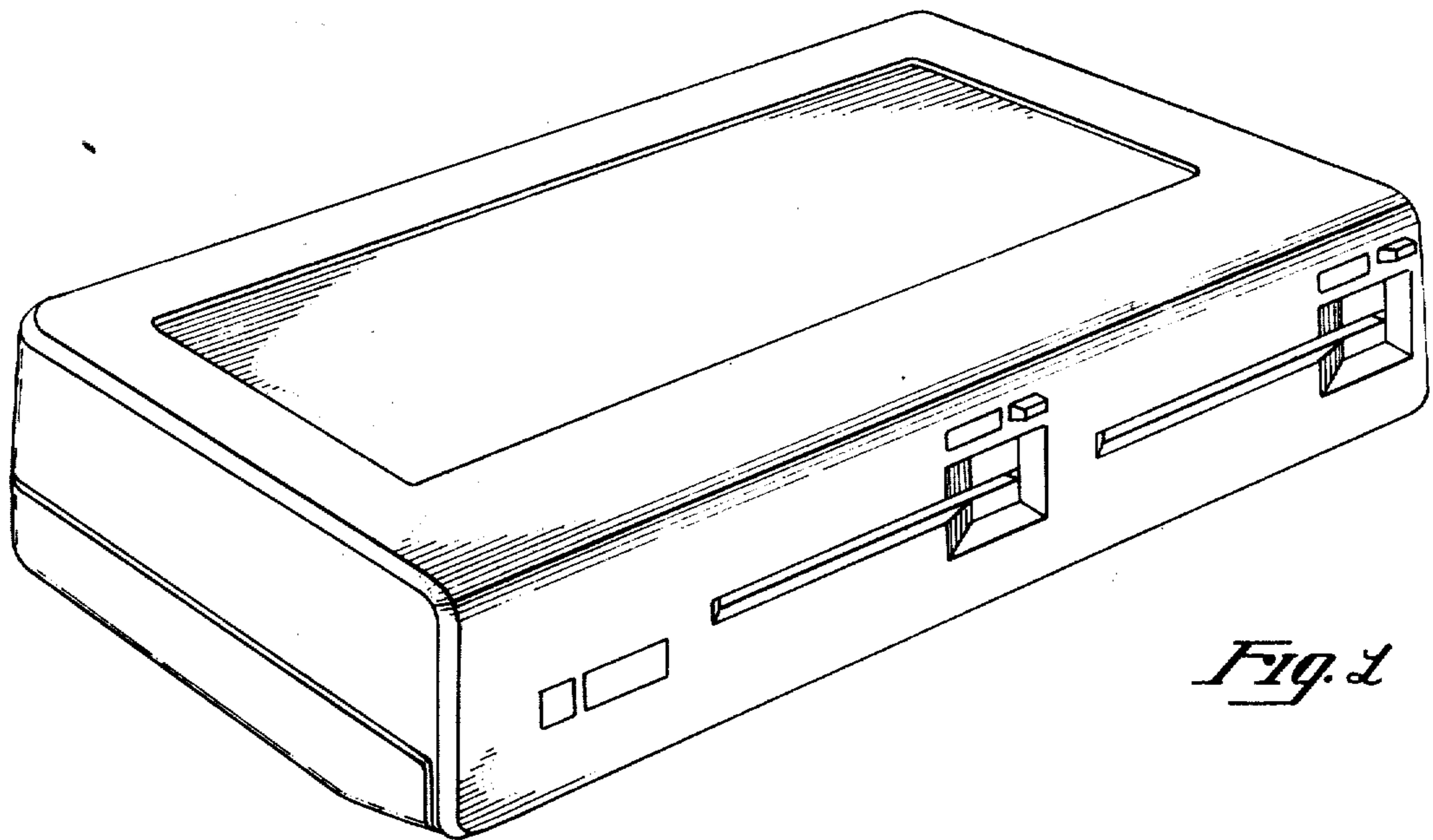


Fig. 1

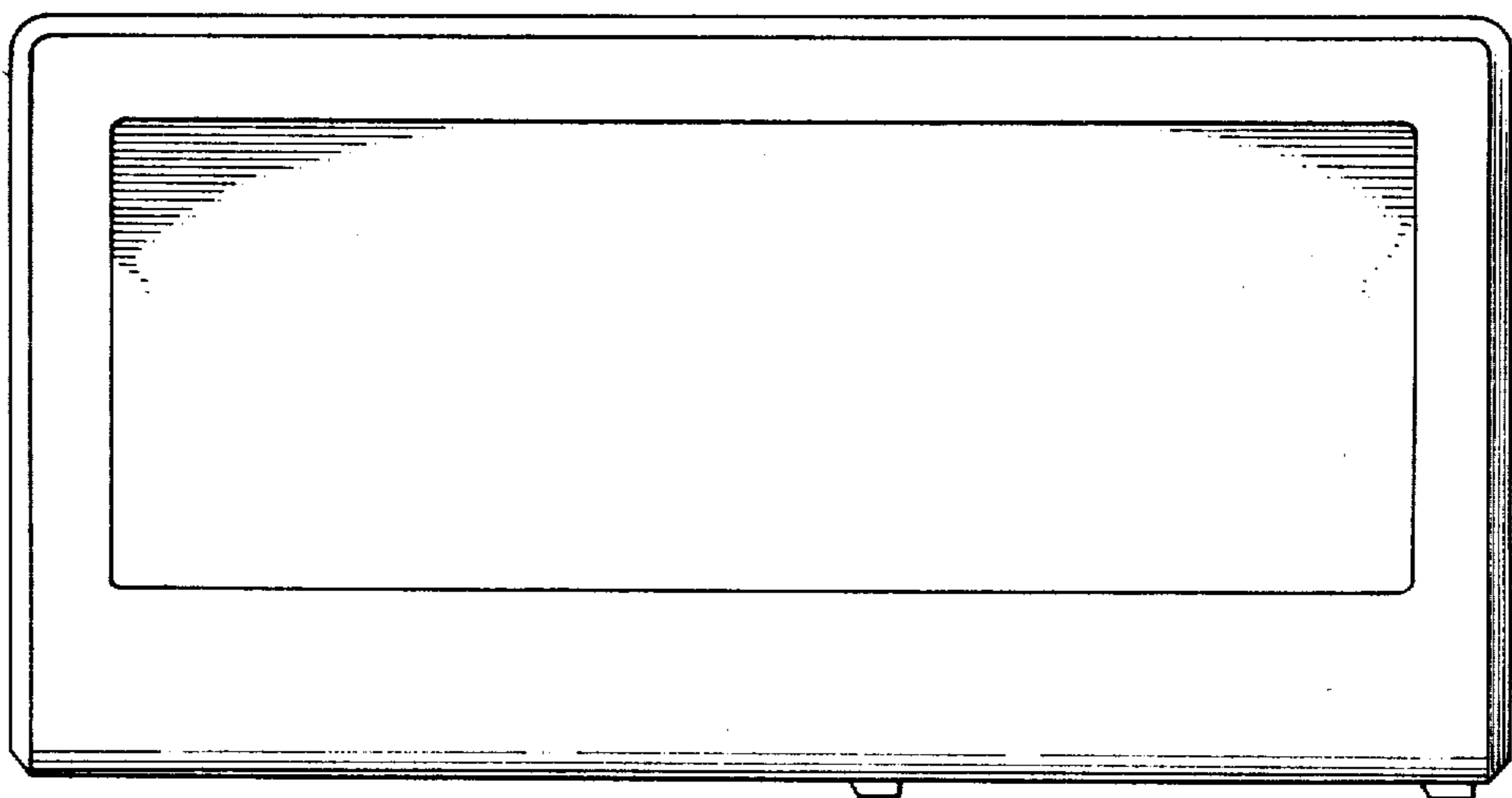


Fig. 2

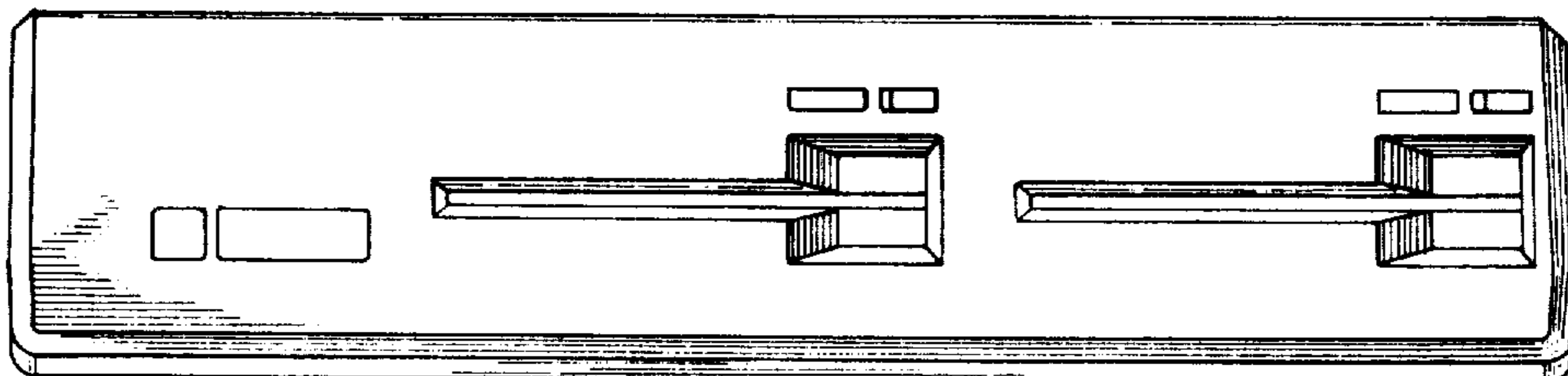


Fig. 3

Fig. 4

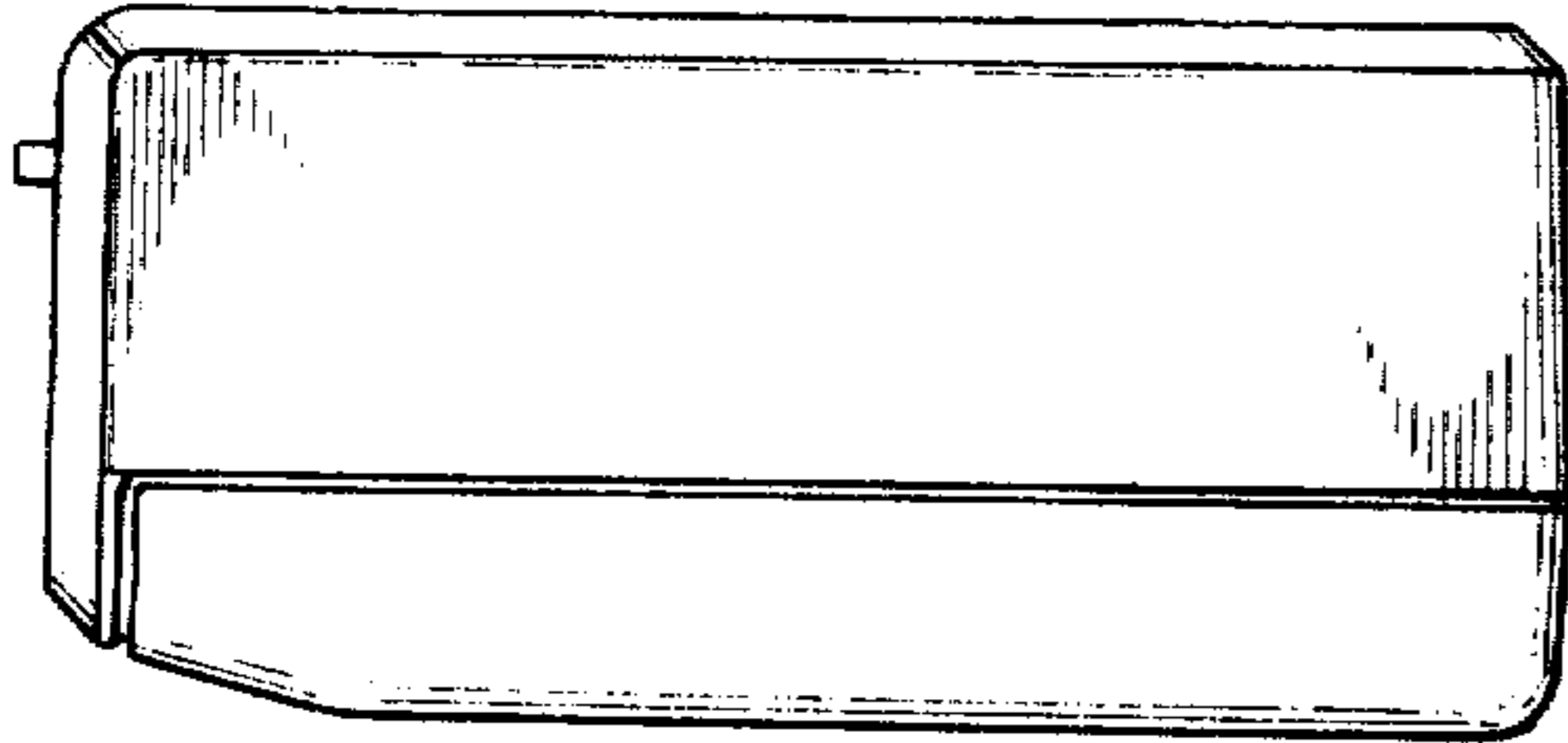


Fig. 5

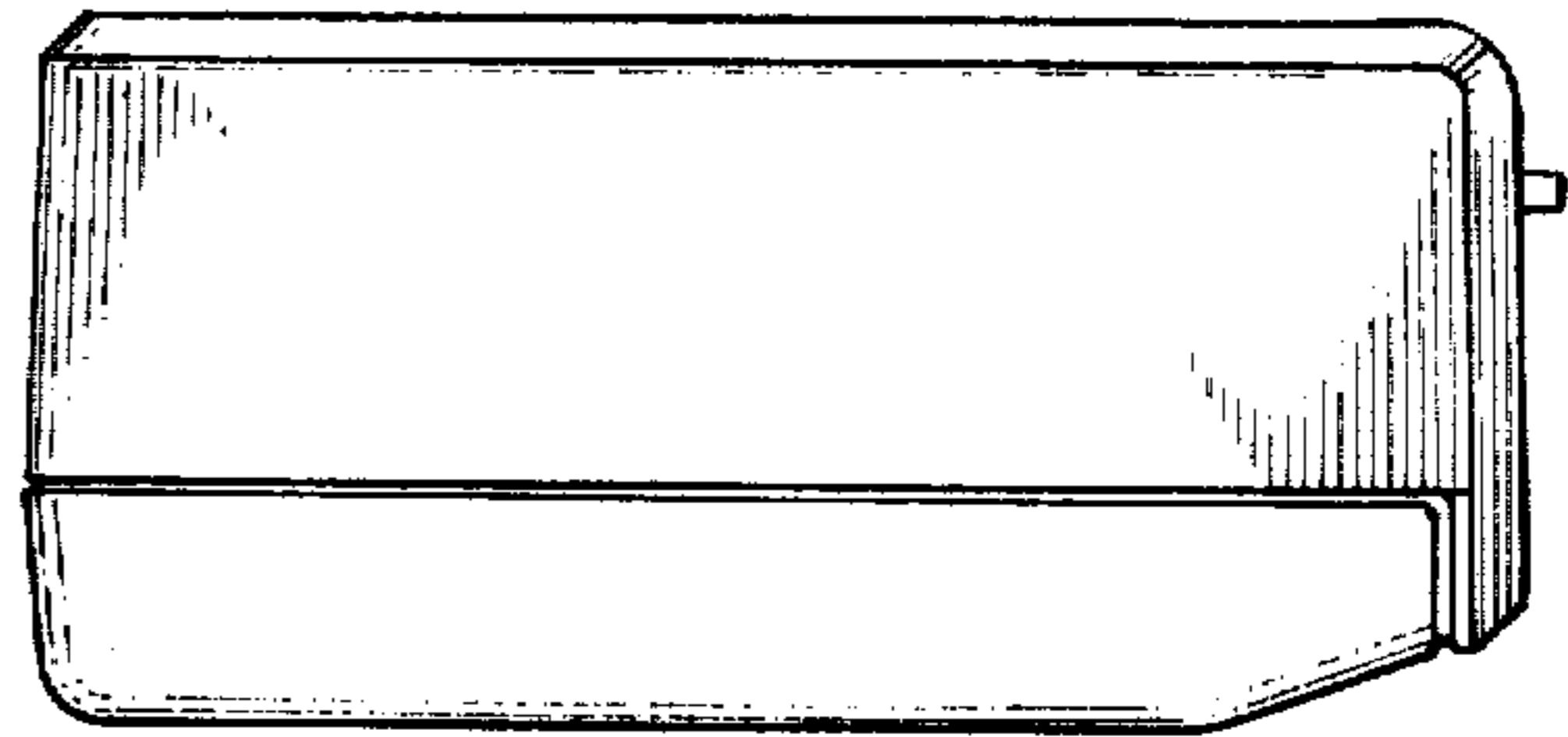


Fig. 6

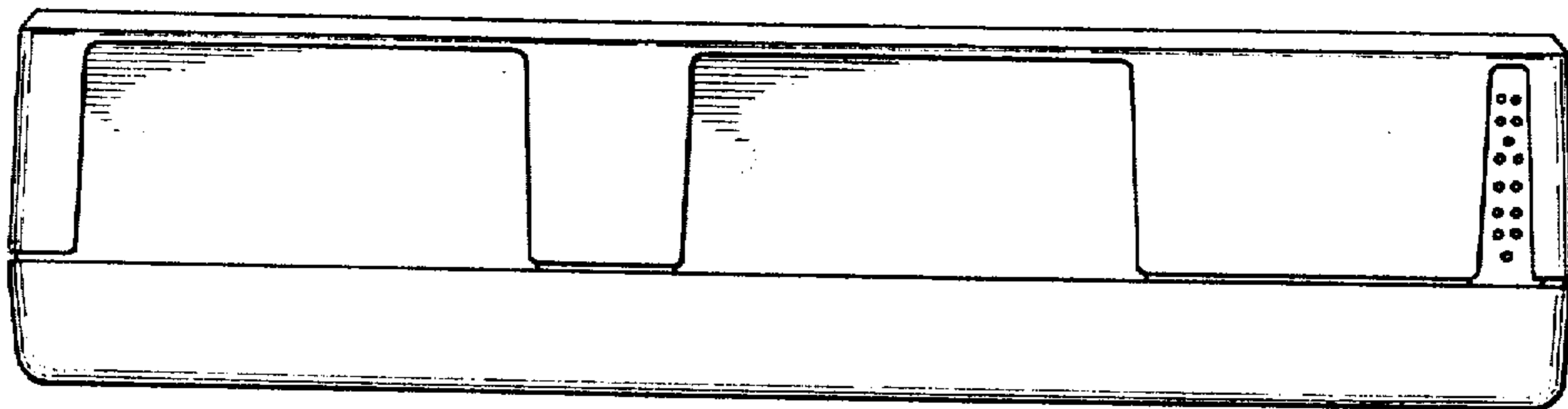


Fig. 7

