

[54] SELF-ELEVATING WELL SERVICING VESSEL FOR OFFSHORE OIL WELLS OR THE LIKE

3,343,372	9/1967	Smulders	405/198
3,734,220	5/1973	Smith	405/198 X
3,951,097	4/1976	Clark	114/265 X
4,040,265	8/1977	Hellerman et al.	405/196
4,156,577	5/1979	McMakin	114/265 X

[76] Inventor: David T. Younes, P.O. Box 7333, Abu Dhabi, United Arab Emirates

Primary Examiner—A. Hugo Word
Attorney, Agent, or Firm—Arthur G. Yeager

[**] Term: 14 Years

[57] CLAIM

[21] Appl. No.: 275,134

The ornamental design for a self-elevating well servicing vessel for offshore oil wells or the like, substantially as shown.

[22] Filed: Jun. 18, 1981

DESCRIPTION

[51] Int. Cl. D12-06

[52] U.S. Cl. D12/316; D25/1

[58] Field of Search D12/316, 317, 300, 303, D12/312; 114/264, 258, 265, 266; 405/198, 196, 199; D25/1

FIG. 1 is a front elevational view of a self-elevating well servicing vessel for offshore oil wells or the like showing my new design;

FIG. 2 is a rear elevational view thereof;

FIG. 3 is a top plan view thereof;

FIG. 4 is a bottom plan view thereof;

FIG. 5 is a right side elevational view thereof; and

FIG. 6 is a left side elevational view thereof.

[56] References Cited

U.S. PATENT DOCUMENTS

D. 193,289	7/1962	Travers et al.	D12/303
D. 198,002	4/1964	Thornton et al.	D12/316 X

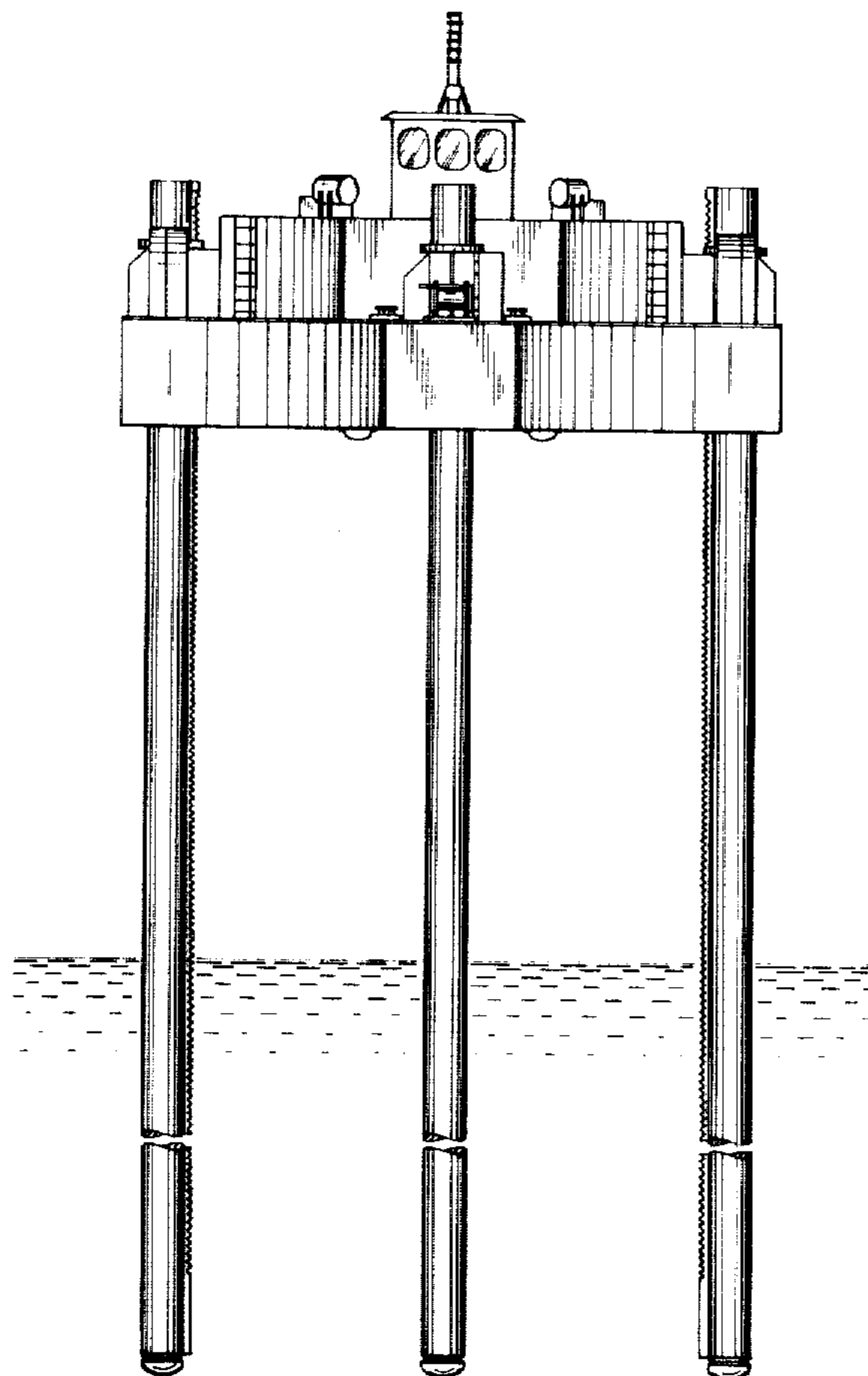


FIG. 1

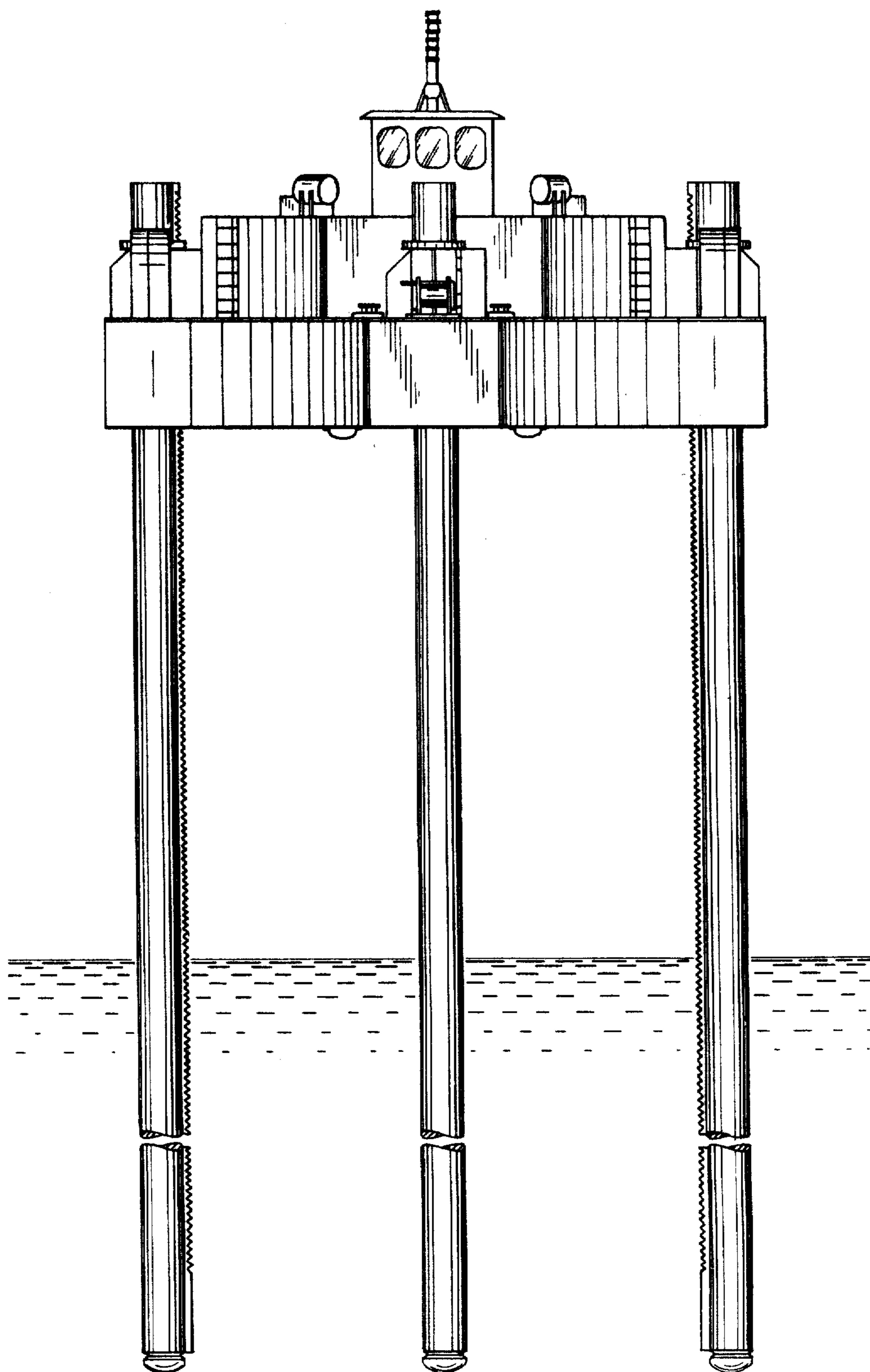


FIG. 2

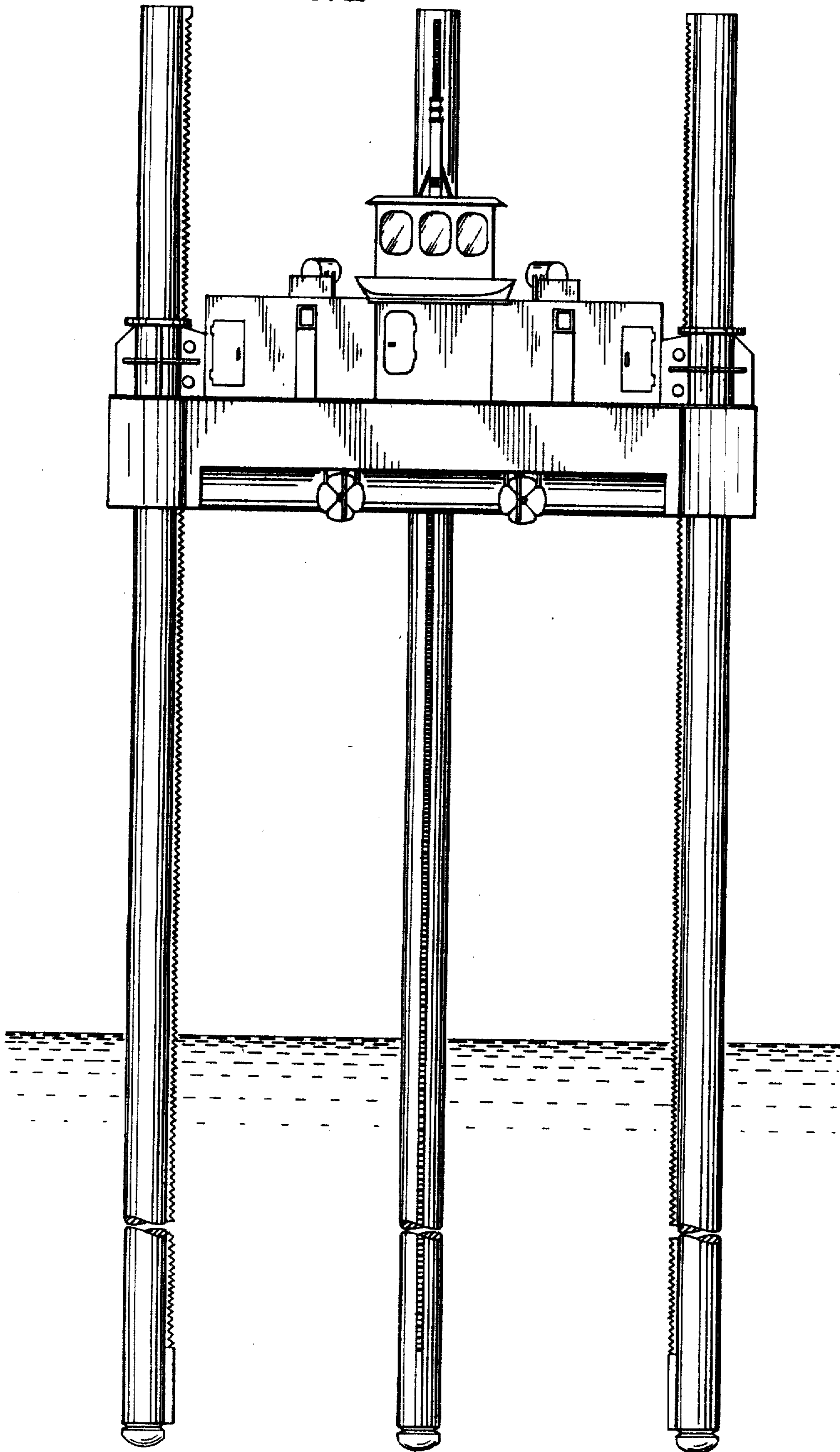


FIG.3

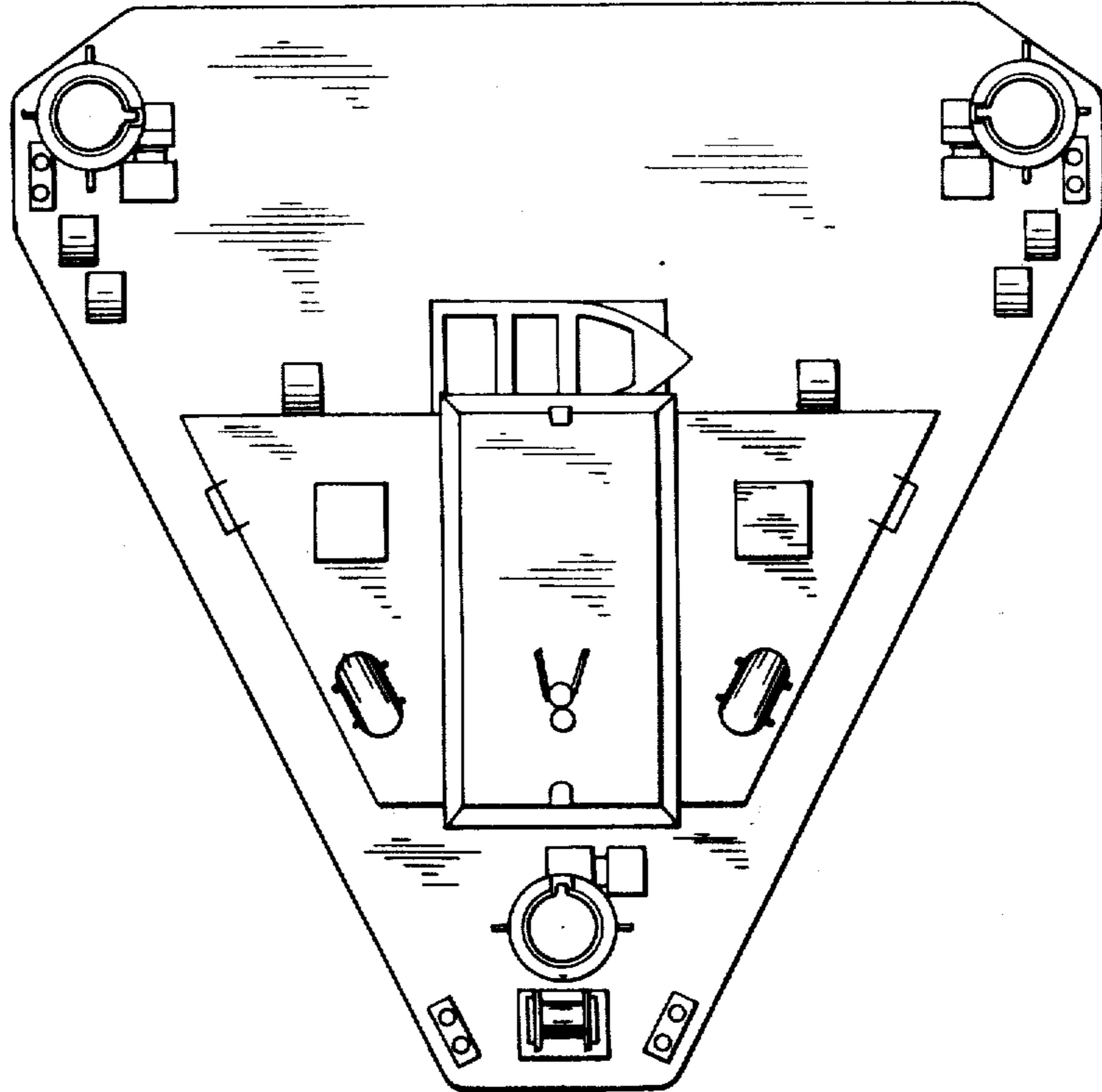


FIG.4

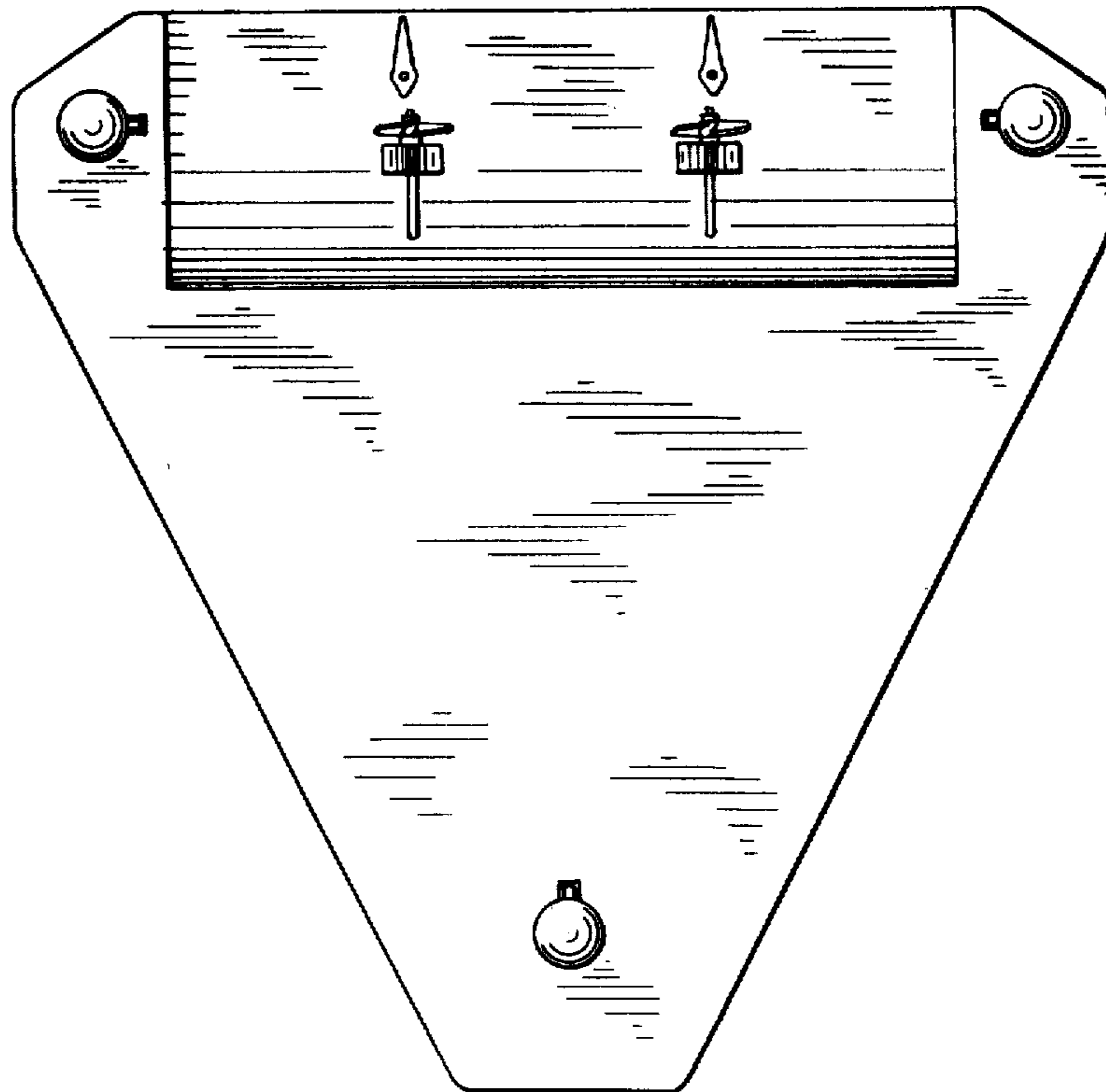


FIG. 5

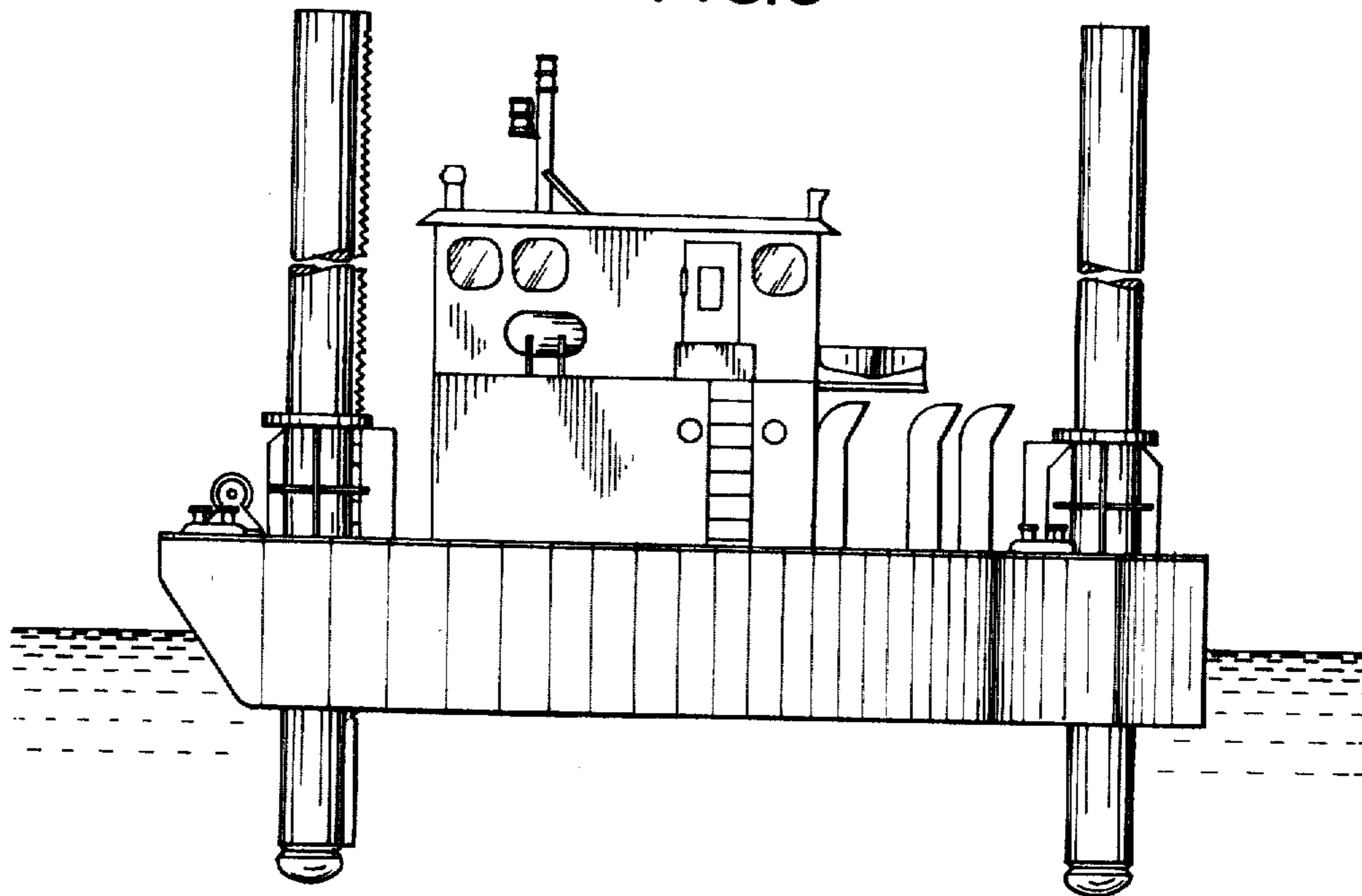


FIG. 6

