

[54] FISH-BREEDING SEA VESSEL
[76] Inventor: Aulis U. Nurmi, Sirkkalankatu 27 A
29, SF-20700 Turku 70, Finland

[**] Term: 14 Years

[21] Appl. No.: 234,494

[22] Filed: Feb. 17, 1981

[30] Foreign Application Priority Data

Aug. 19, 1980 [FI] Finland 80587

[51] Int. Cl. D12-06

[52] U.S. Cl. D12/316

[58] Field of Search D12/316, 300; 114/346;
119/3

[56] References Cited

U.S. PATENT DOCUMENTS

D. 227,935 7/1973 Keller D12/316

3,691,994 9/1972 Mc Pherson 119/3
4,257,350 3/1981 Streichenberger 119/3

FOREIGN PATENT DOCUMENTS

2918102 11/1980 Fed. Rep. of Germany 114/346

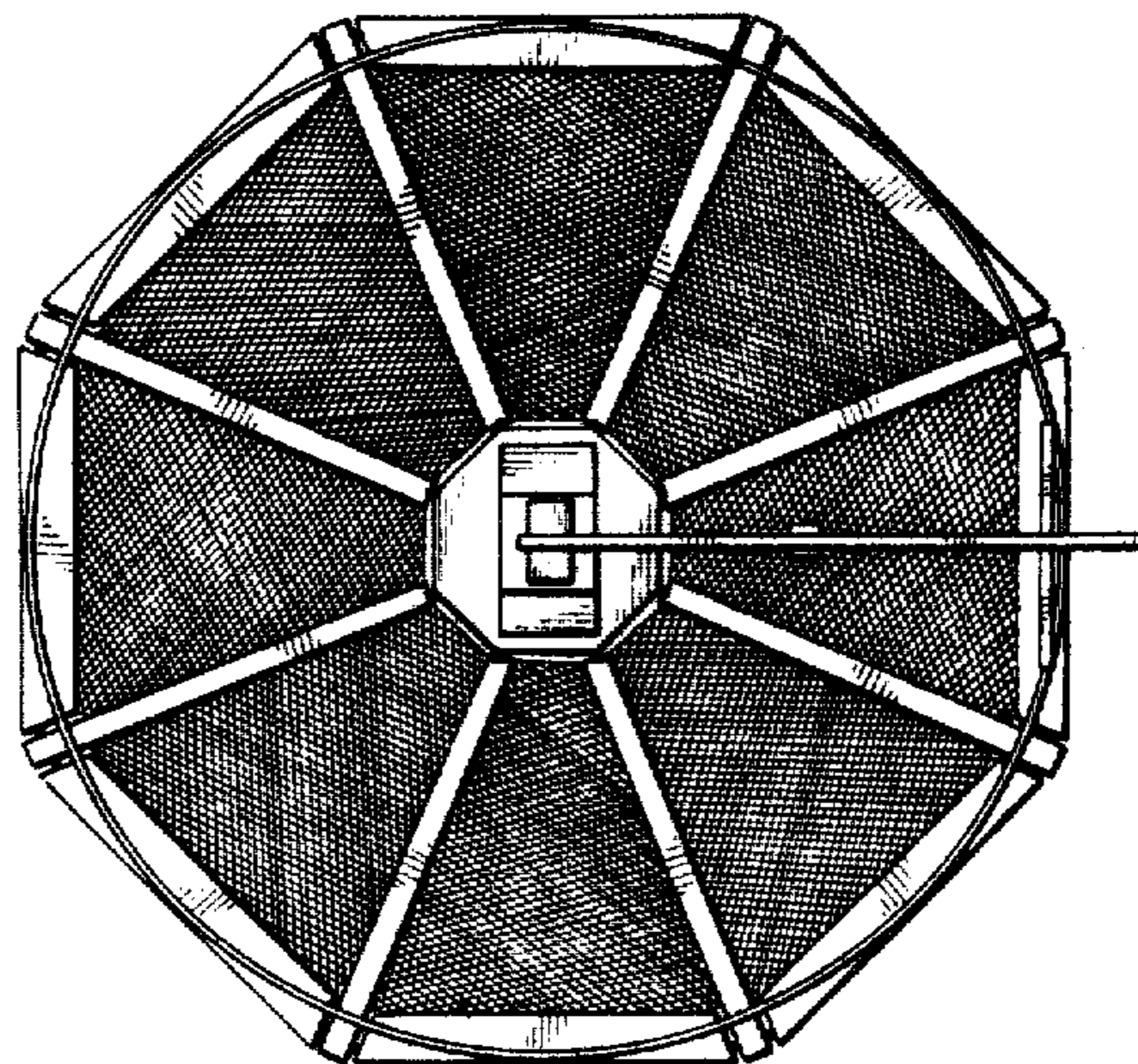
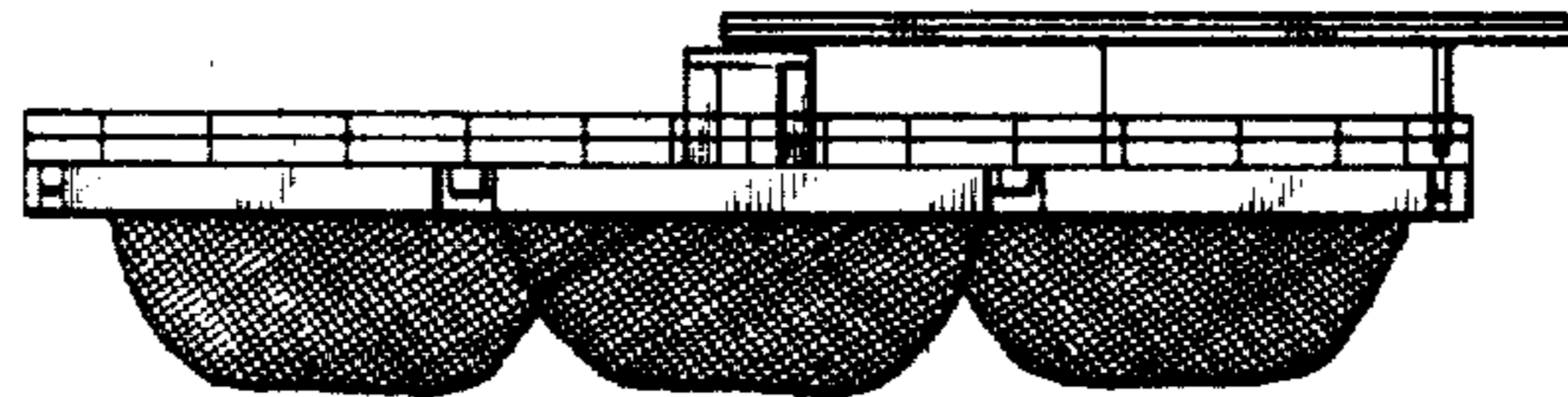
Primary Examiner—B. J. Bullock
Assistant Examiner—Suzanne N. Gitlin
Attorney, Agent, or Firm—Stevens, Davis, Miller &
Mosher

[57] CLAIM

The ornamental design for fish-breeding sea vessel, as shown and described.

DESCRIPTION

FIG. 1 is a front elevational view of a fish-breeding sea vessel showing my new design;
FIG. 2 is a top plan view thereof;
FIG. 3 is a side elevational view taken from the left of FIG. 2;
FIG. 4 is a bottom plan view thereof.



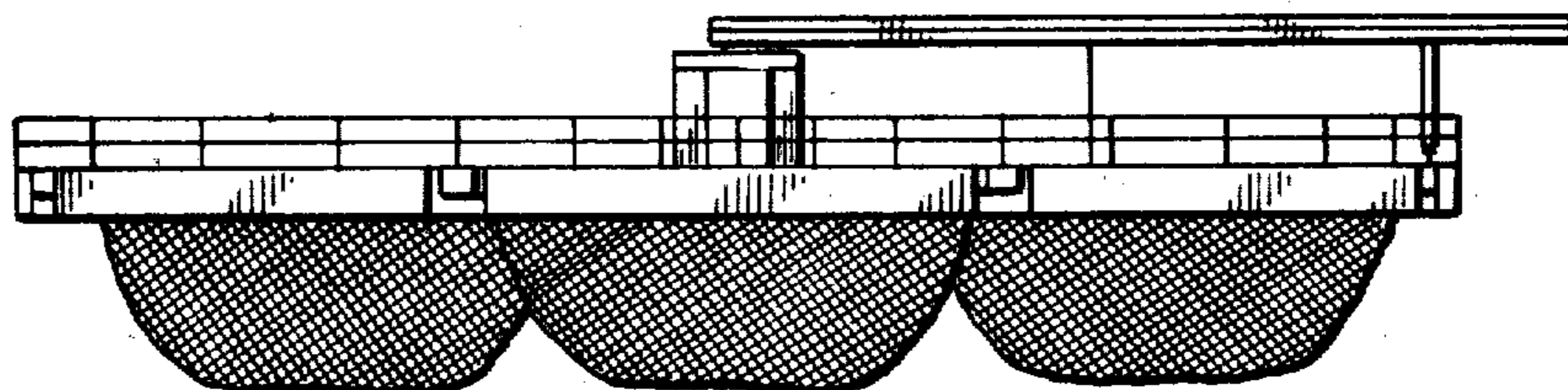


FIG. 1

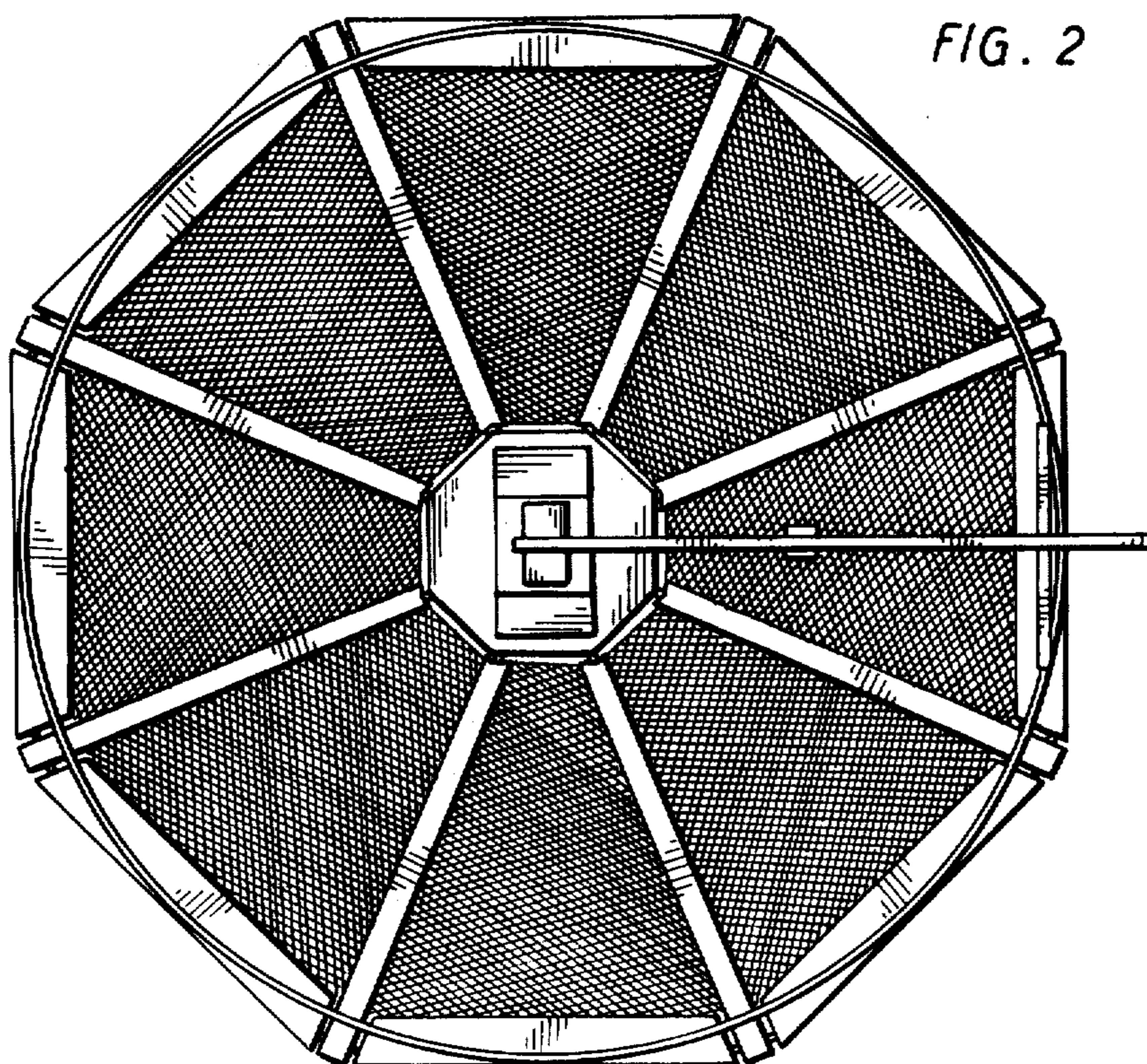


FIG. 2

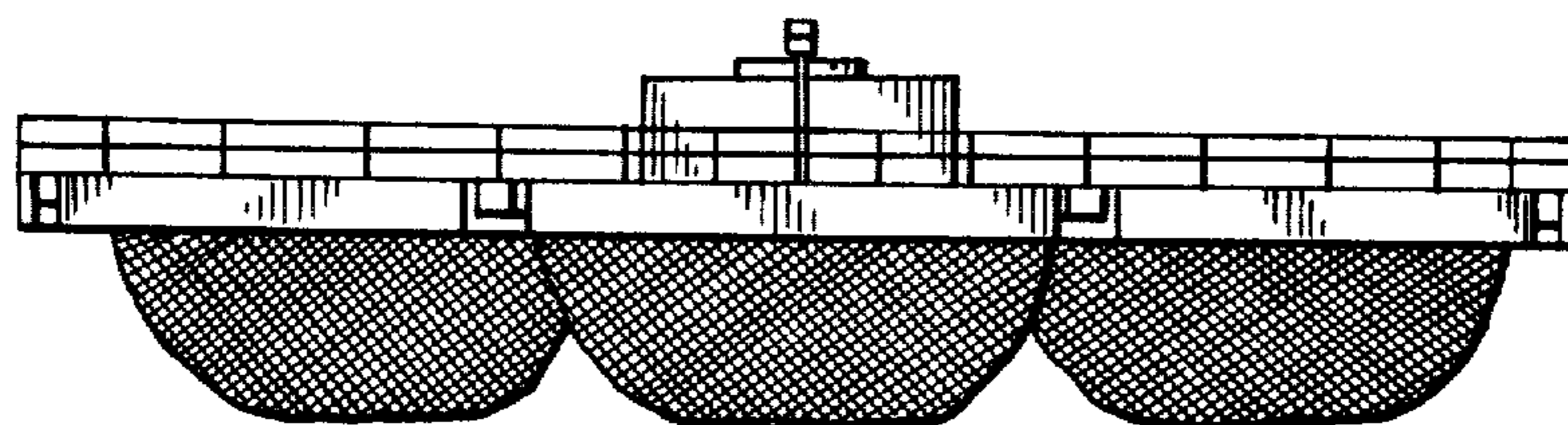


FIG. 3

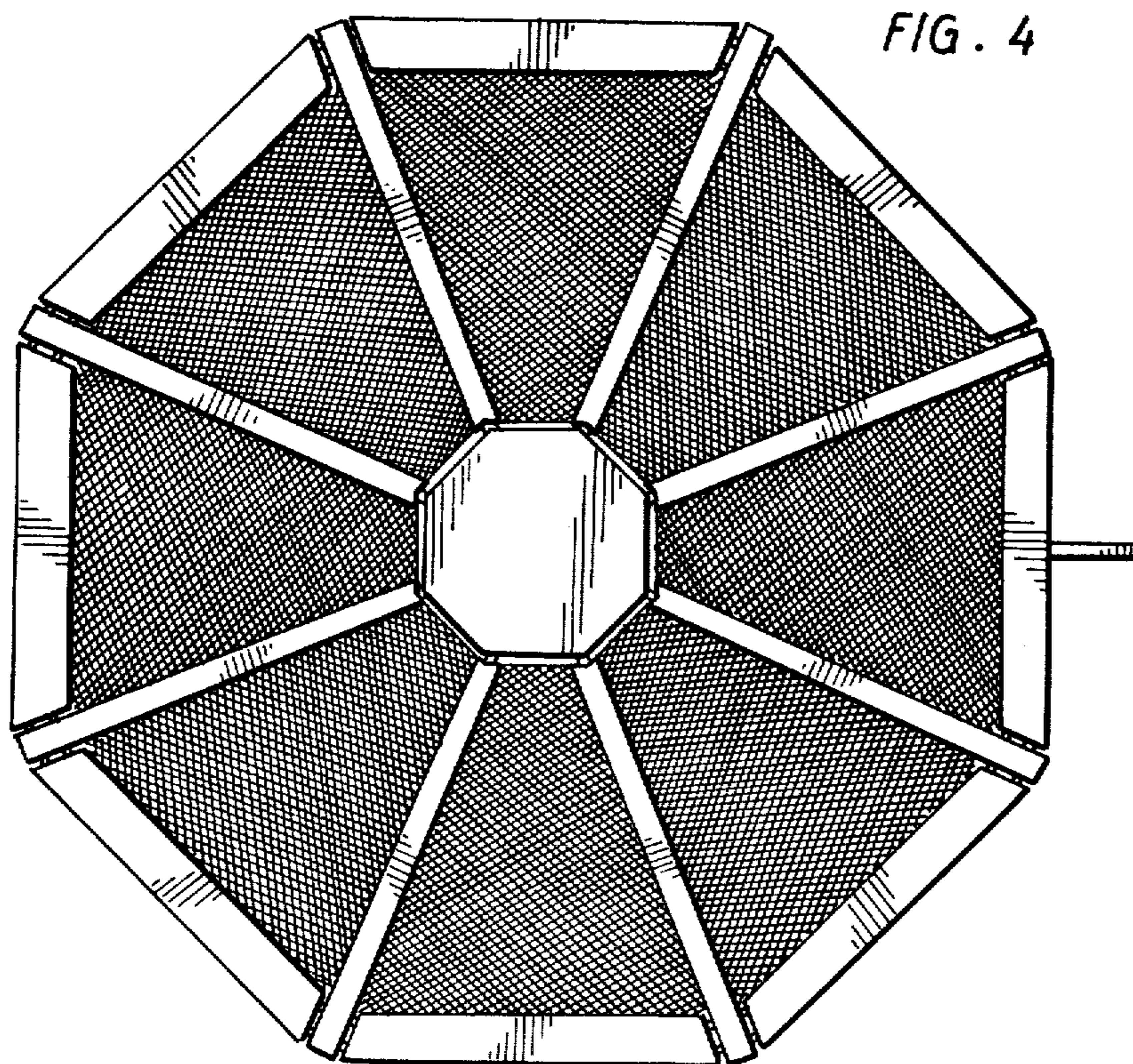


FIG. 4