

[54] PLANTER

[76] Inventor: Paul D. Peterson, 3310 Azahar Pl.,
Rancho La Costa, Calif. 92008

[**] Term: 14 Years

[21] Appl. No.: 391,840

[22] Filed: Jun. 24, 1982

Related U.S. Application Data

[62] Division of Ser. No. 74,880, Sep. 12, 1979, Pat. No.
Des. 268,256.

[51] Int. Cl. D11-02

[52] U.S. Cl. D11/153

[58] Field of Search D11/143-145,
D11/149, 151-156, 164; D7/2.6, 11, 13, 14, 16,
17, 22, 23; 47/41, 41.12, 41.13, 66-69, 71, 72,
79-87

[56] **References Cited**

U.S. PATENT DOCUMENTS

D. 219,052	10/1970	Gulotta	D7/23
D. 289,102	11/1883	Holden	D11/152
1,596,716	8/1926	Clarke	D7/23
3,332,652	7/1967	Oaks	47/66
3,903,644	9/1975	Swift et al.	47/79

Primary Examiner—B. J. Bullock
Attorney, Agent, or Firm—Duane C. Bowen

[57] **CLAIM**

The ornamental design for a planter, as shown and described.

DESCRIPTION

FIG. 1 is a perspective view of a planter showing my new design;
FIG. 2 is a side elevational view thereof, all sides being identical;
FIG. 3 is a top plan view thereof;
FIG. 4 is a bottom plan view thereof;
FIG. 5 is a sectional view taken in the direction of the arrows on line 5—5 of FIG. 3.

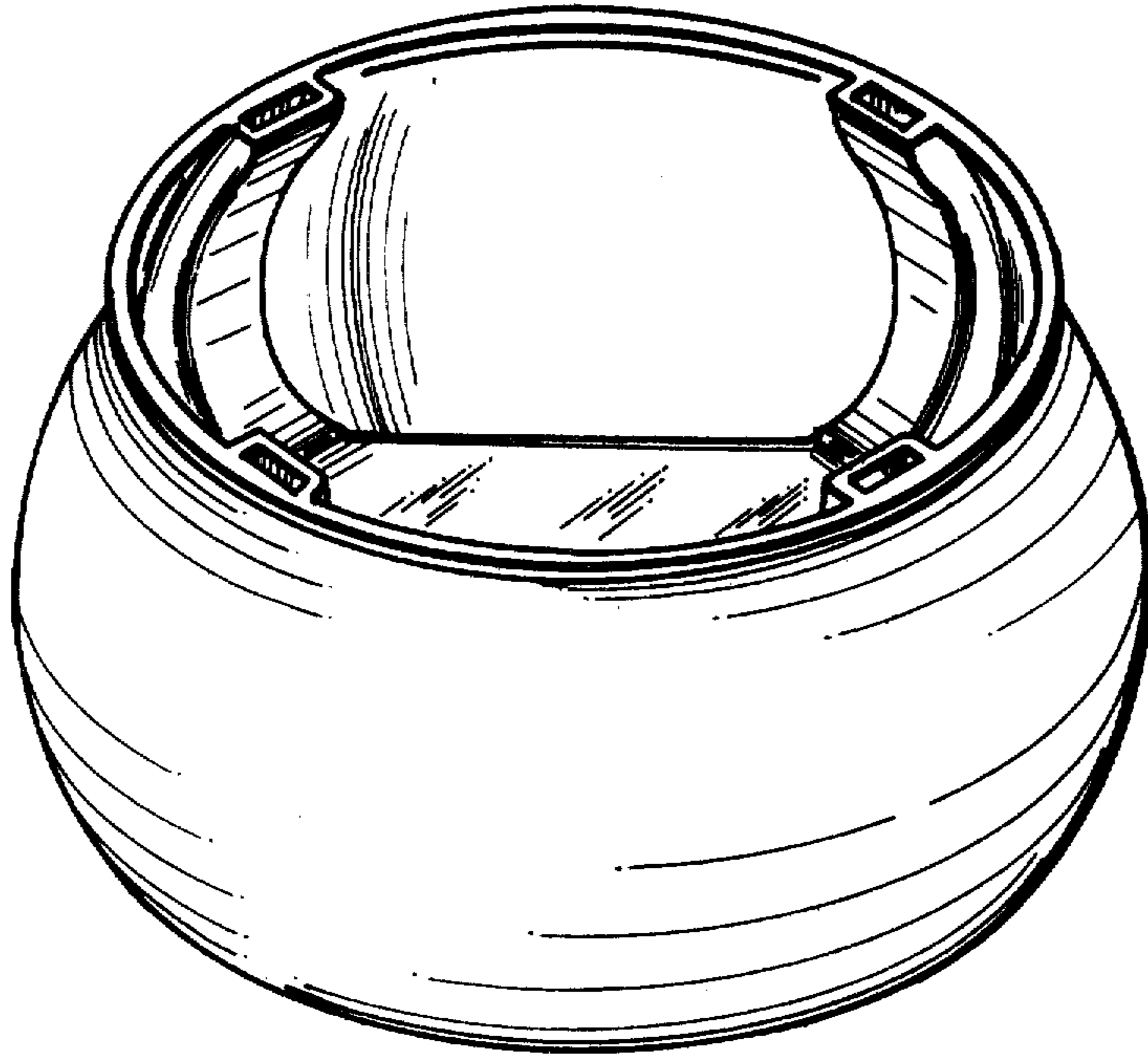


Fig. 1

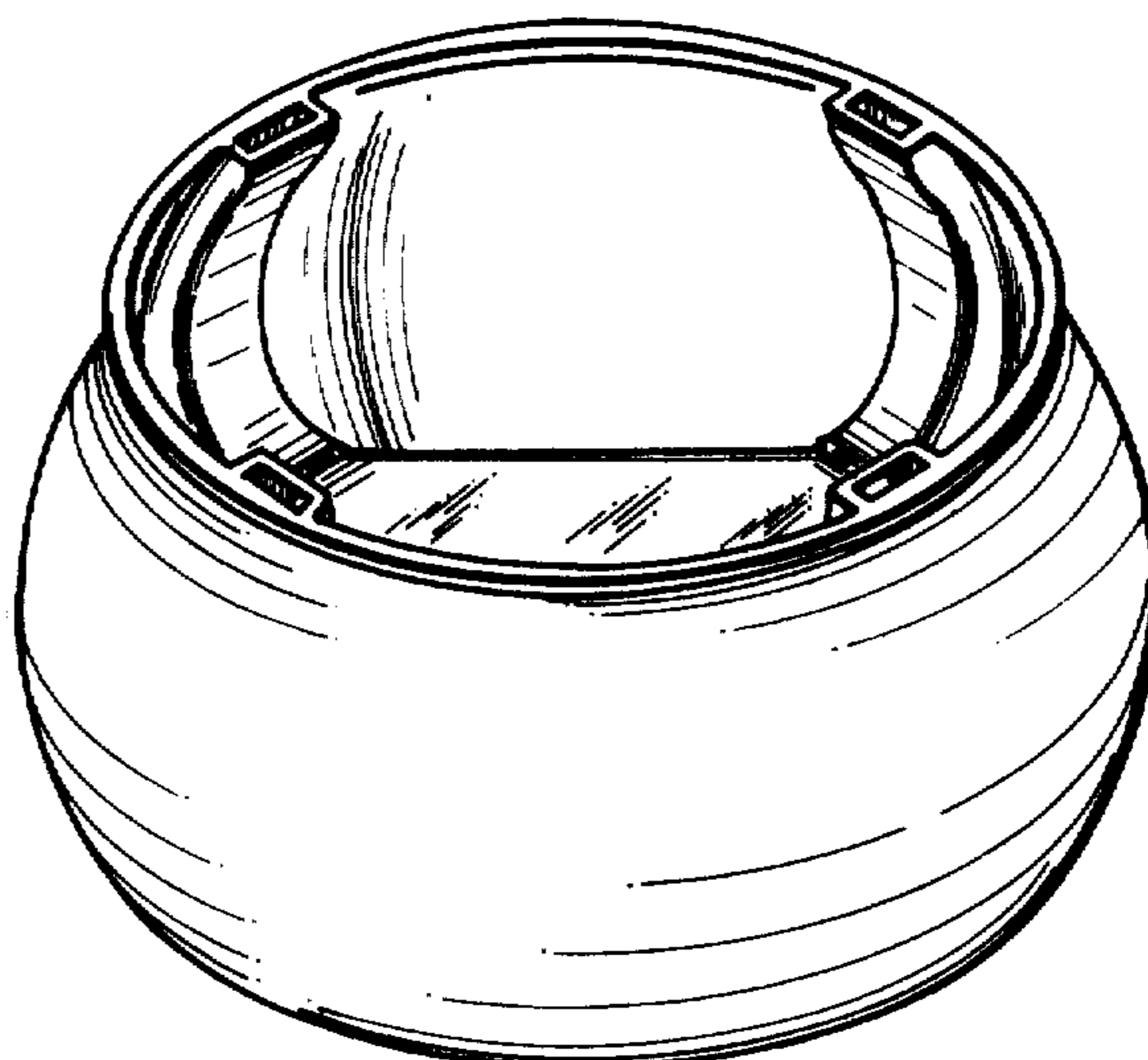


Fig. 5

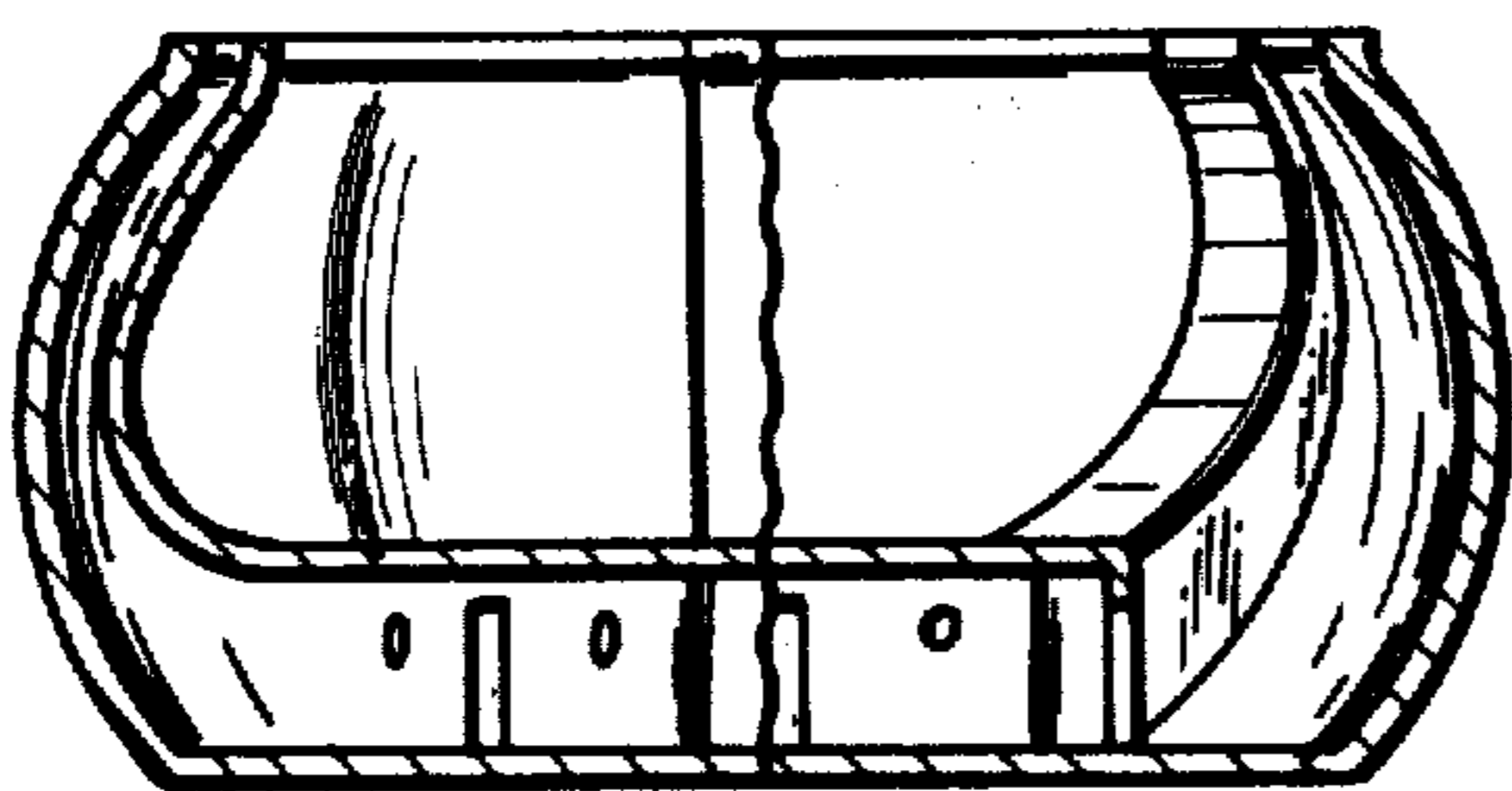


Fig. 2

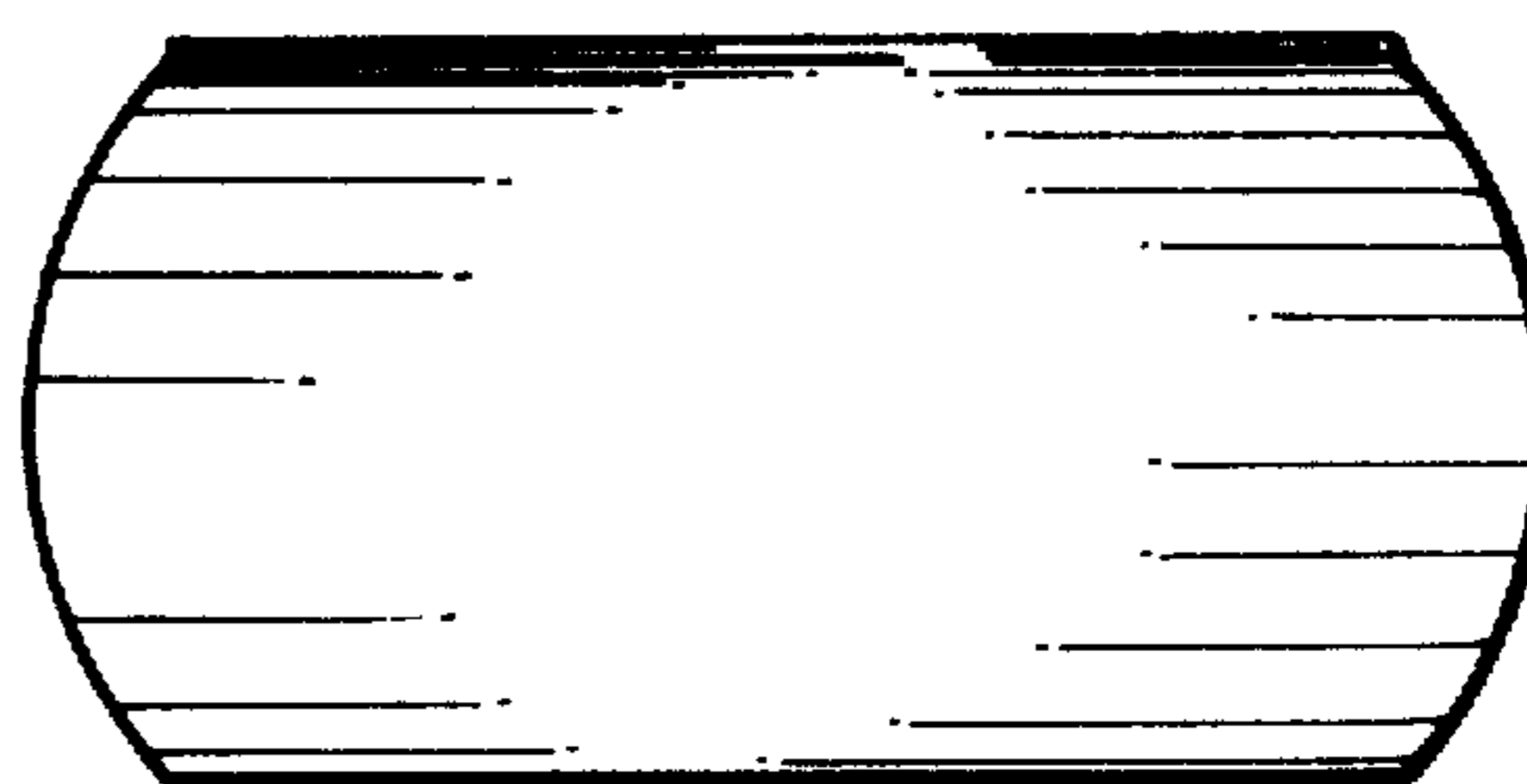


Fig. 3

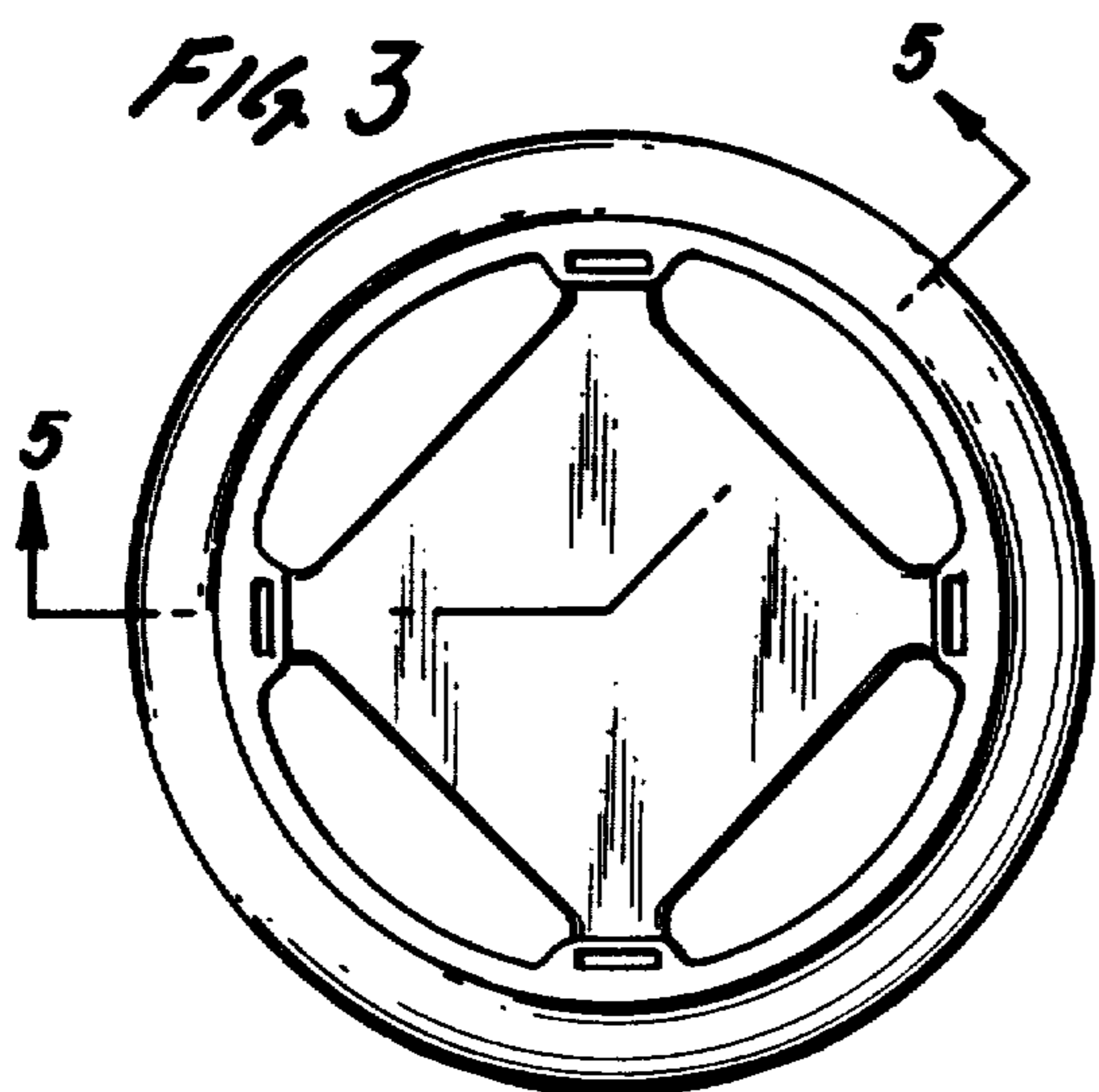


Fig. 4

