

- [54] SMOKE DETECTOR COVER
- [75] Inventor: John Mallory, Mississauga, Canada
- [73] Assignee: Isotec Industries Limited, Toronto, Canada
- [\*\*] Term: 14 Years
- [21] Appl. No.: 234,933
- [22] Filed: Feb. 17, 1981
- [51] Int. Cl. .... D10-05
- [52] U.S. Cl. .... D10/121; D10/106
- [58] Field of Search ..... D10/104, 106, 121; 340/540, 541, 542, 545, 546, 547, 552-556, 561, 565, 566, 568, 576-581, 584, 586, 588, 628, 629, 630, 632

- [56] **References Cited**
- U.S. PATENT DOCUMENTS**
- D. 213,028 12/1968 Walz ..... D10/106 X
- 2,419,957 5/1947 Laford ..... 340/545 X

2,446,217 8/1948 Druffel ..... 340/545 X

**OTHER PUBLICATIONS**

Nutone Electrical Products Division Catalog, 12-1979, p. 39, Smoke Detector S-230.

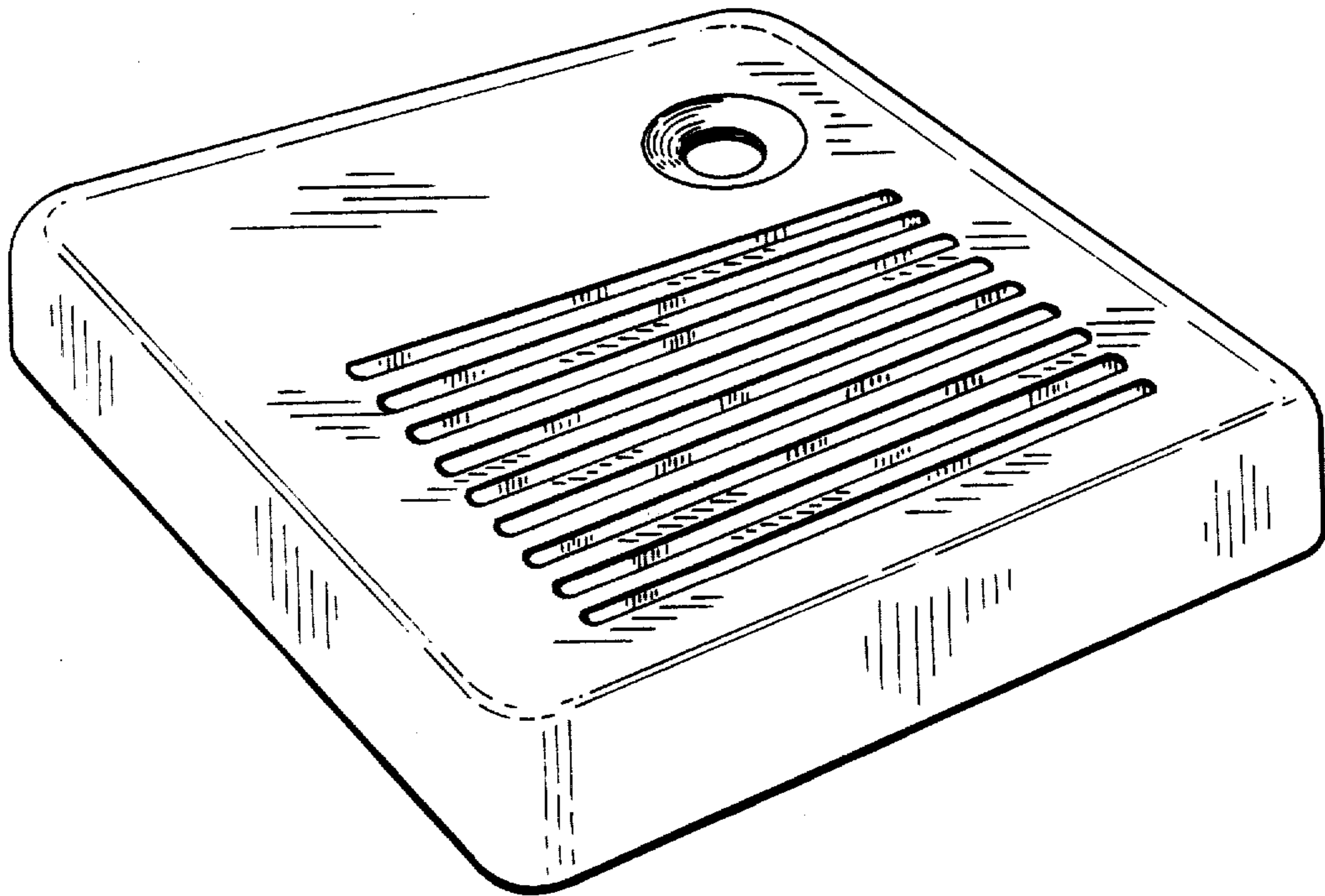
*Primary Examiner*—Susan J. Lucas  
*Attorney, Agent, or Firm*—Sim & McBurney

[57] **CLAIM**

The ornamental design for a smoke detector cover, as shown and described.

**DESCRIPTION**

FIG. 1 is a perspective view of the smoke detector cover of the present design;  
 FIG. 2 is a top view of the smoke detector cover;  
 FIG. 3 is a bottom view of the smoke detector cover;  
 FIG. 4 is an end elevation of the smoke detector cover;  
 and;  
 FIG. 5 is a perspective view of the smoke detector cover with the bottom thereof facing upwardly.



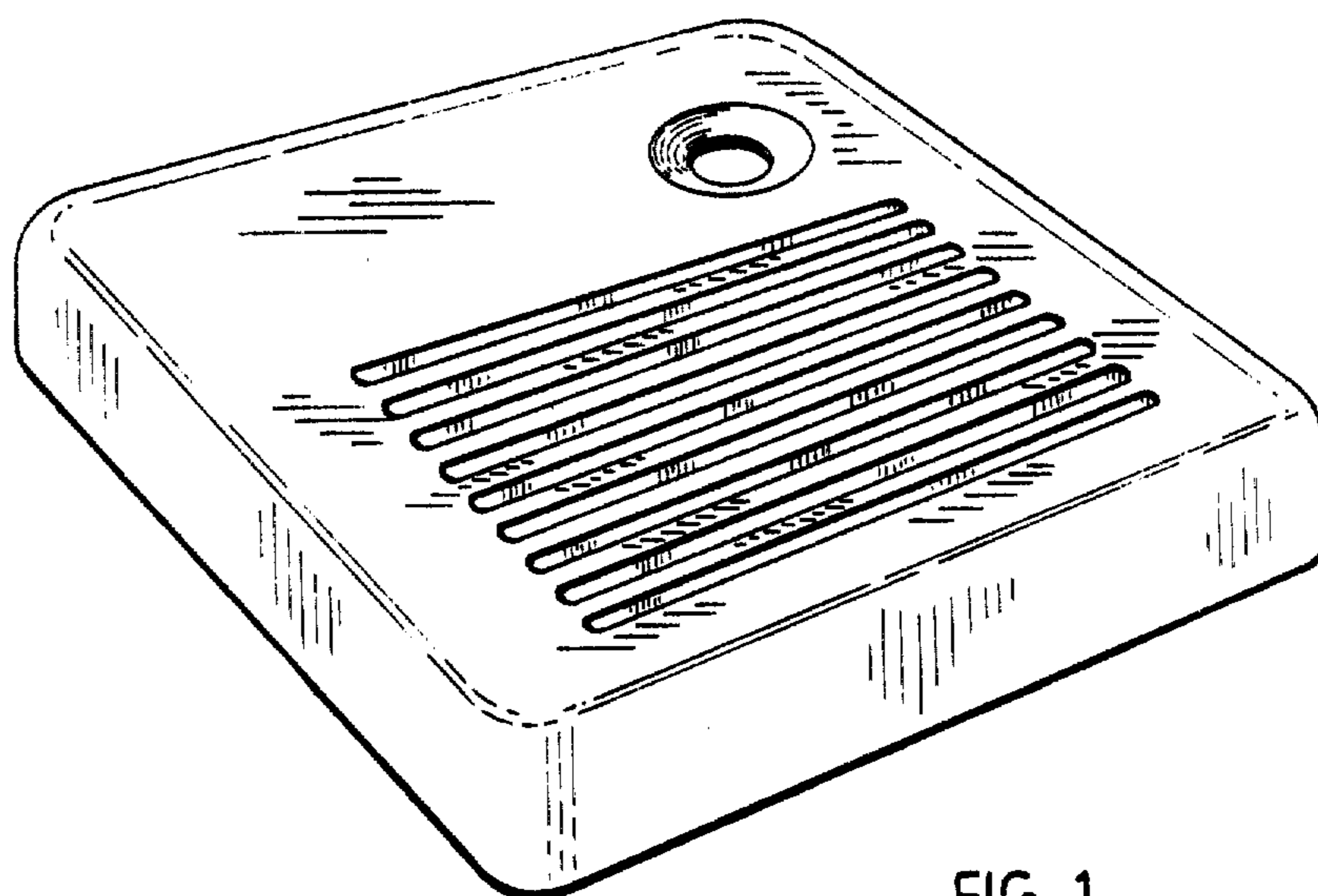


FIG. 1.

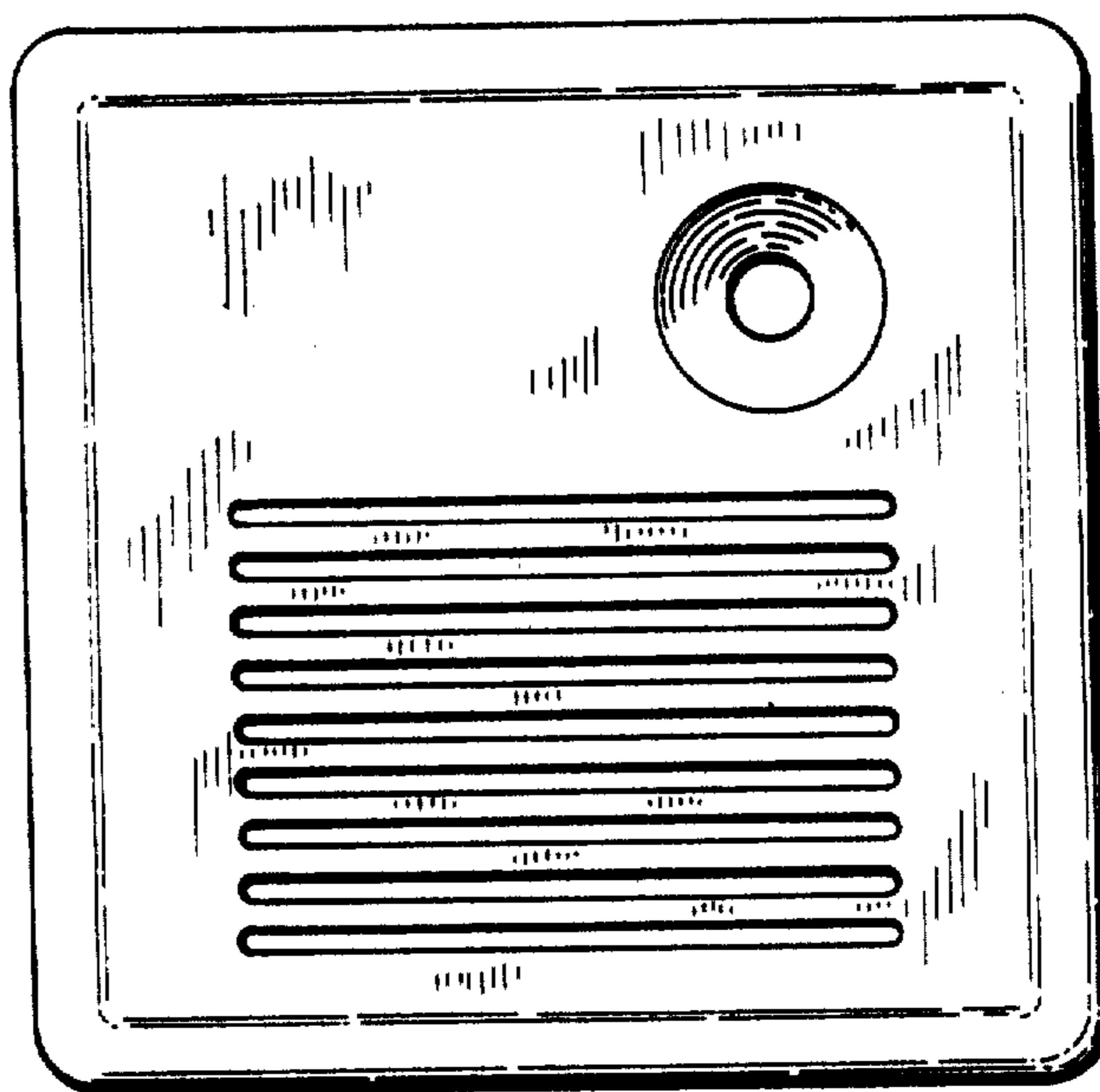


FIG. 2.

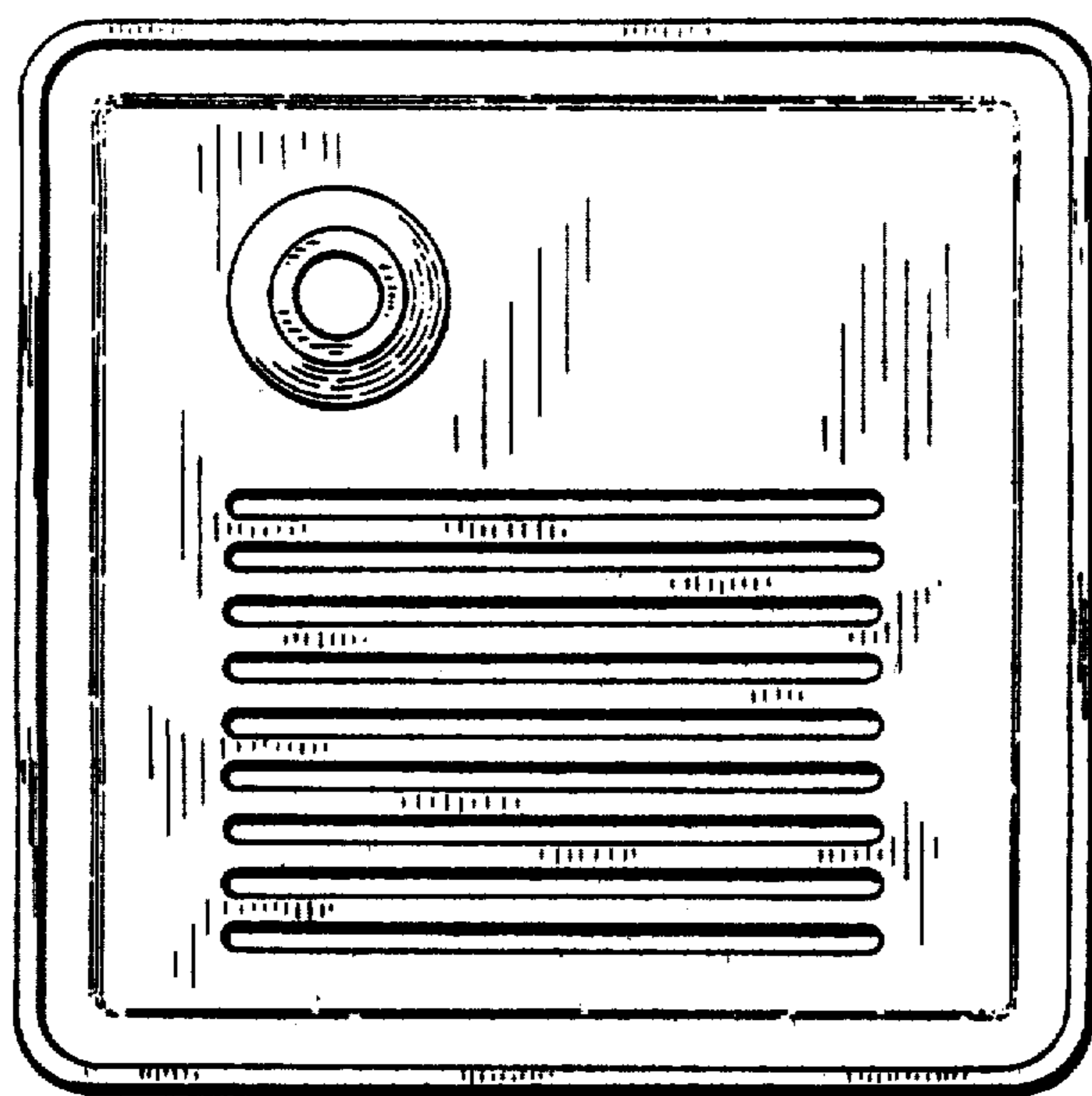


FIG. 3.

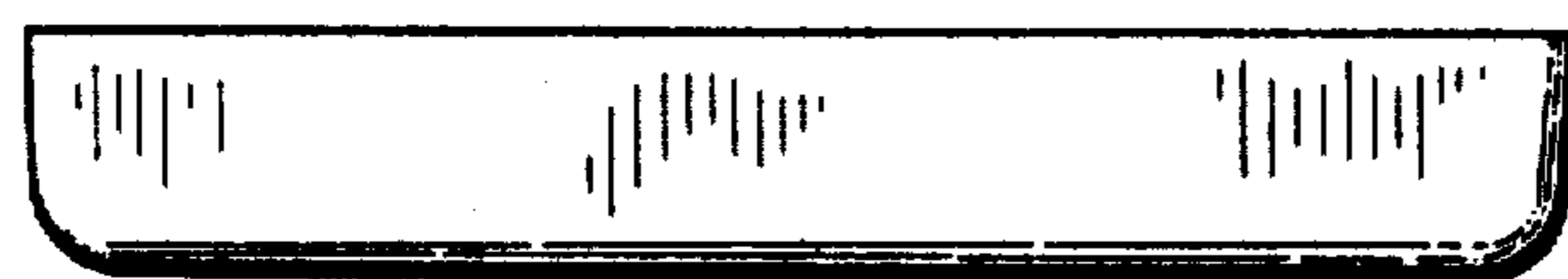


FIG. 4.

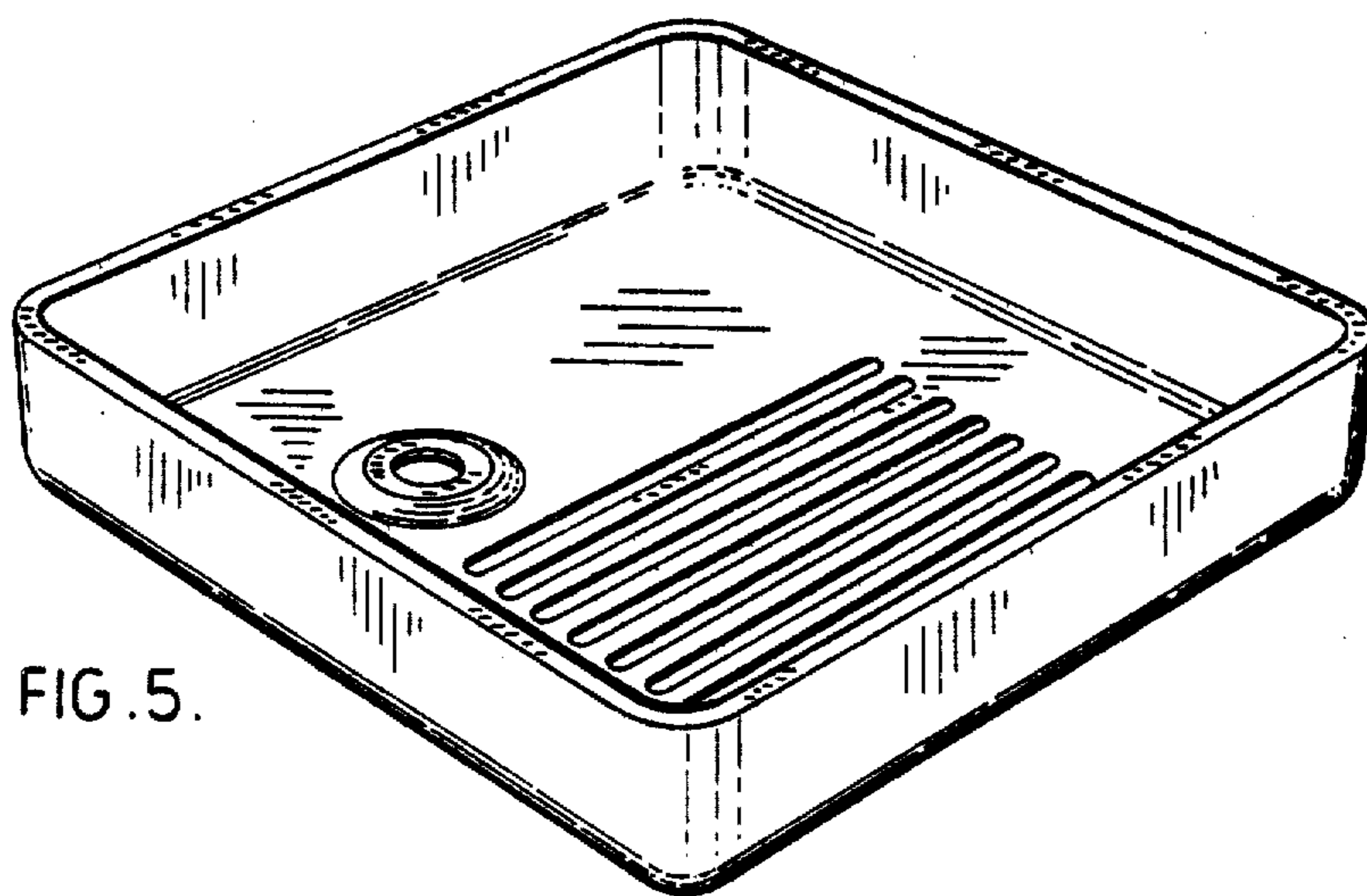


FIG. 5.