

[54] **PACKAGING CUP OR THE LIKE**

[75] **Inventor:** Frank S. Tyler, Wirral, England

[73] **Assignee:** Lever Brothers Company, New York, N.Y.

[**] **Term:** 14 Years

[21] **Appl. No.:** 269,209

[22] **Filed:** Jun. 2, 1981

[30] **Foreign Application Priority Data**

Dec. 5, 1980 [GB] United Kingdom 997927

[51] **Int. Cl.** D9-03

[52] **U.S. Cl.** D9/389; D9/429

[58] **Field of Search** D9/350, 351, 352, 370, D9/389, 390, 394, 396, 398, 410, 407, 428, 429; 229/1.5 B

[56] **References Cited**

U.S. PATENT DOCUMENTS

D. 196,394	9/1963	Eicholtz	D9/429
D. 216,870	3/1970	Gregor	D9/429
D. 265,462	7/1982	Andrulionis et al.	D9/429
3,934,725	1/1976	Edwards	229/1.5 B X

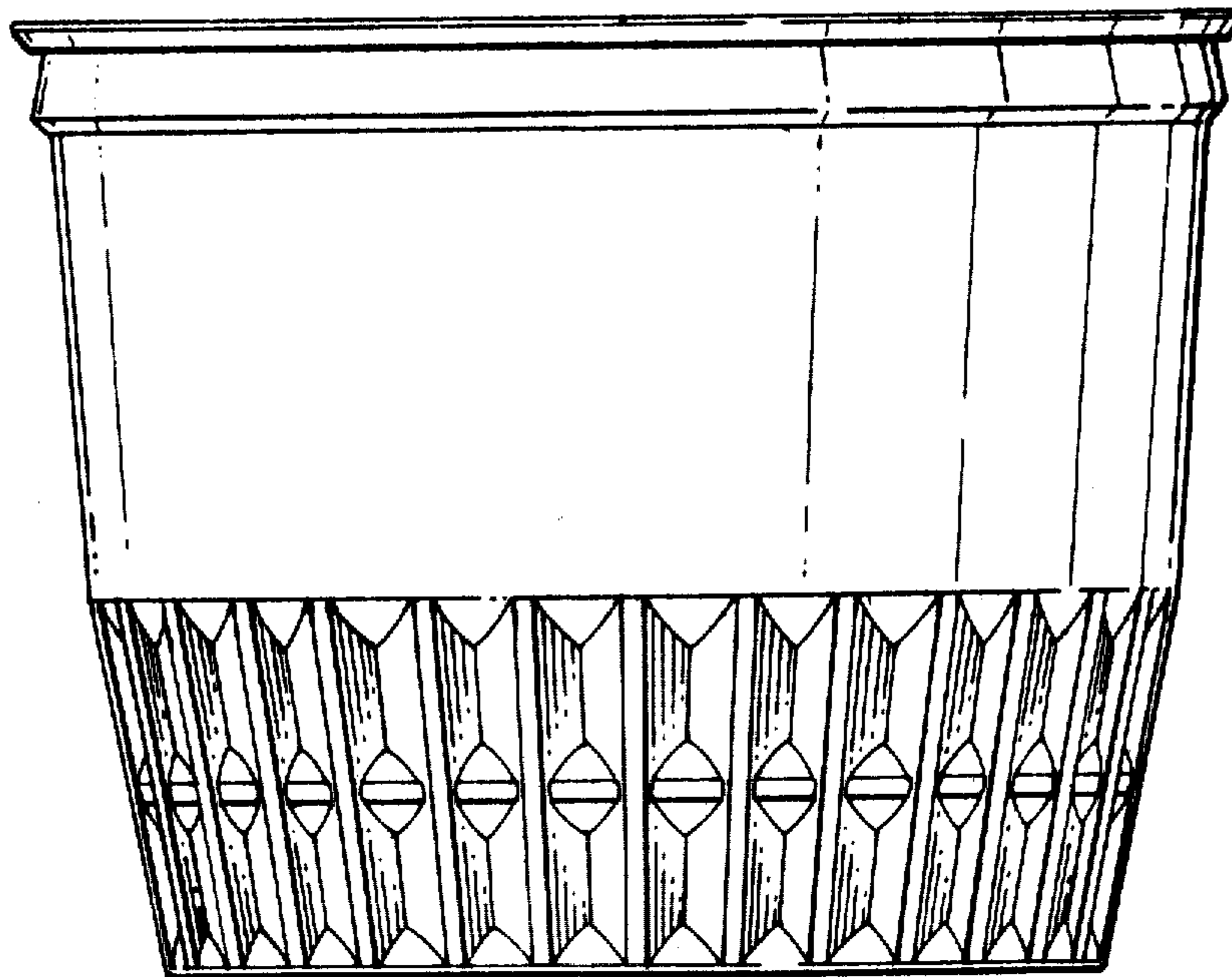
Primary Examiner—Robert C. Spangler
Attorney, Agent, or Firm—James J. Farrell

[57] **CLAIM**

The ornamental design for a packaging cup or the like, substantially as shown and described.

DESCRIPTION

FIG. 1 is a top perspective view of a packaging cup or the like showing my new design;
FIG. 2 is an elevational view, the opposite side being the same in appearance;
FIG. 3 is a top plan view; and
FIG. 4 is a fragmentary, outline view taken on the line 4-4 of FIG. 3.



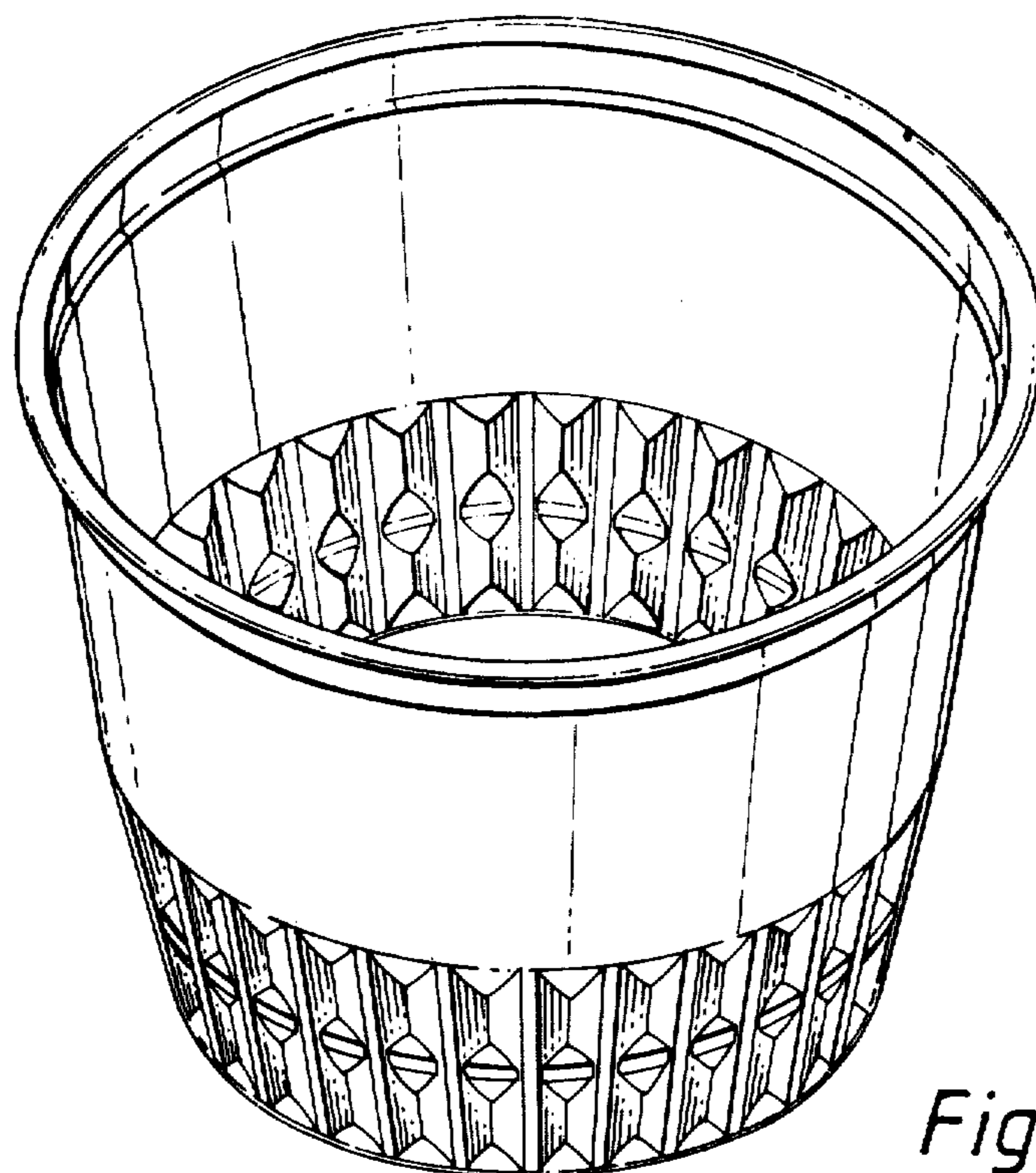


Fig. 1

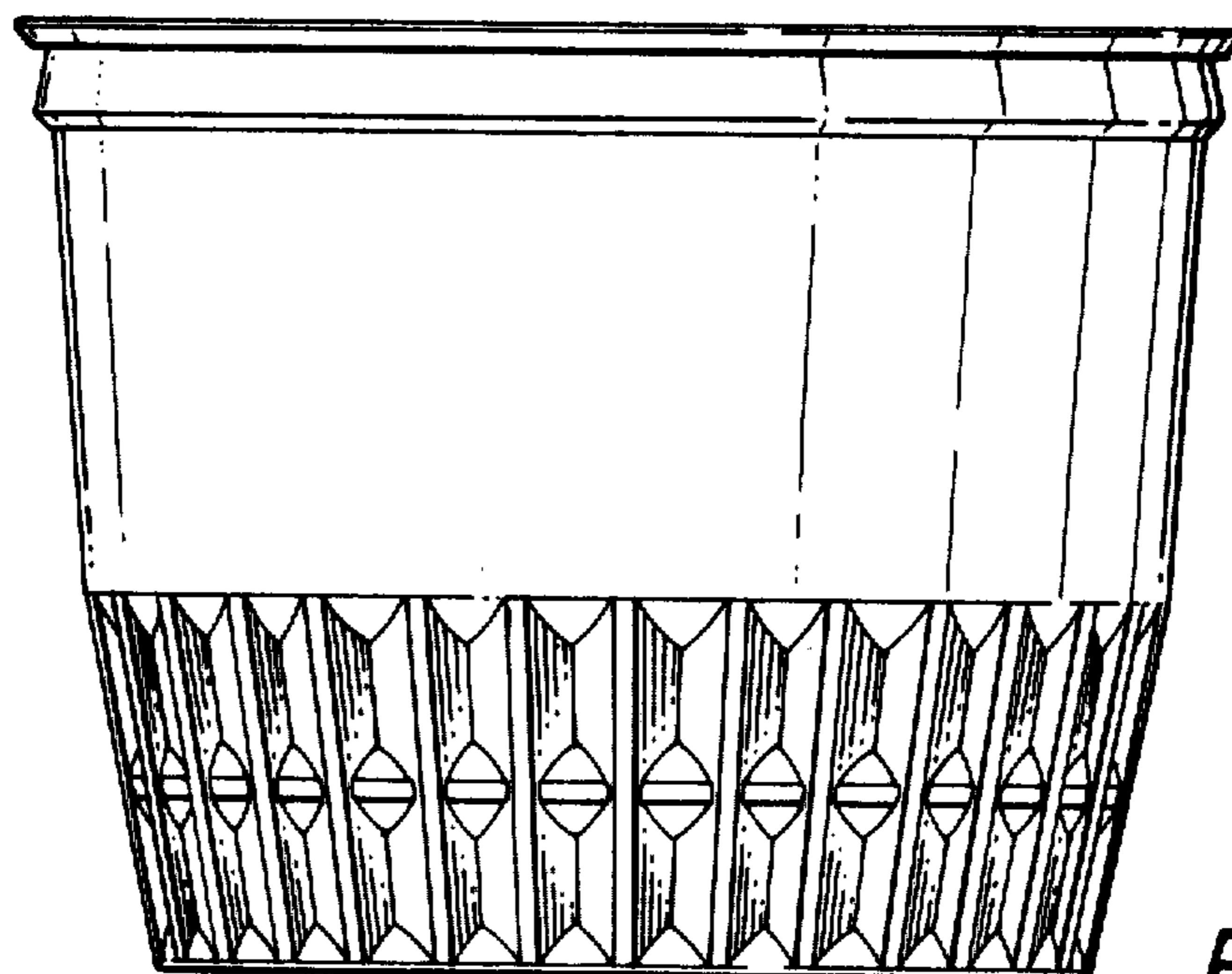


Fig. 2

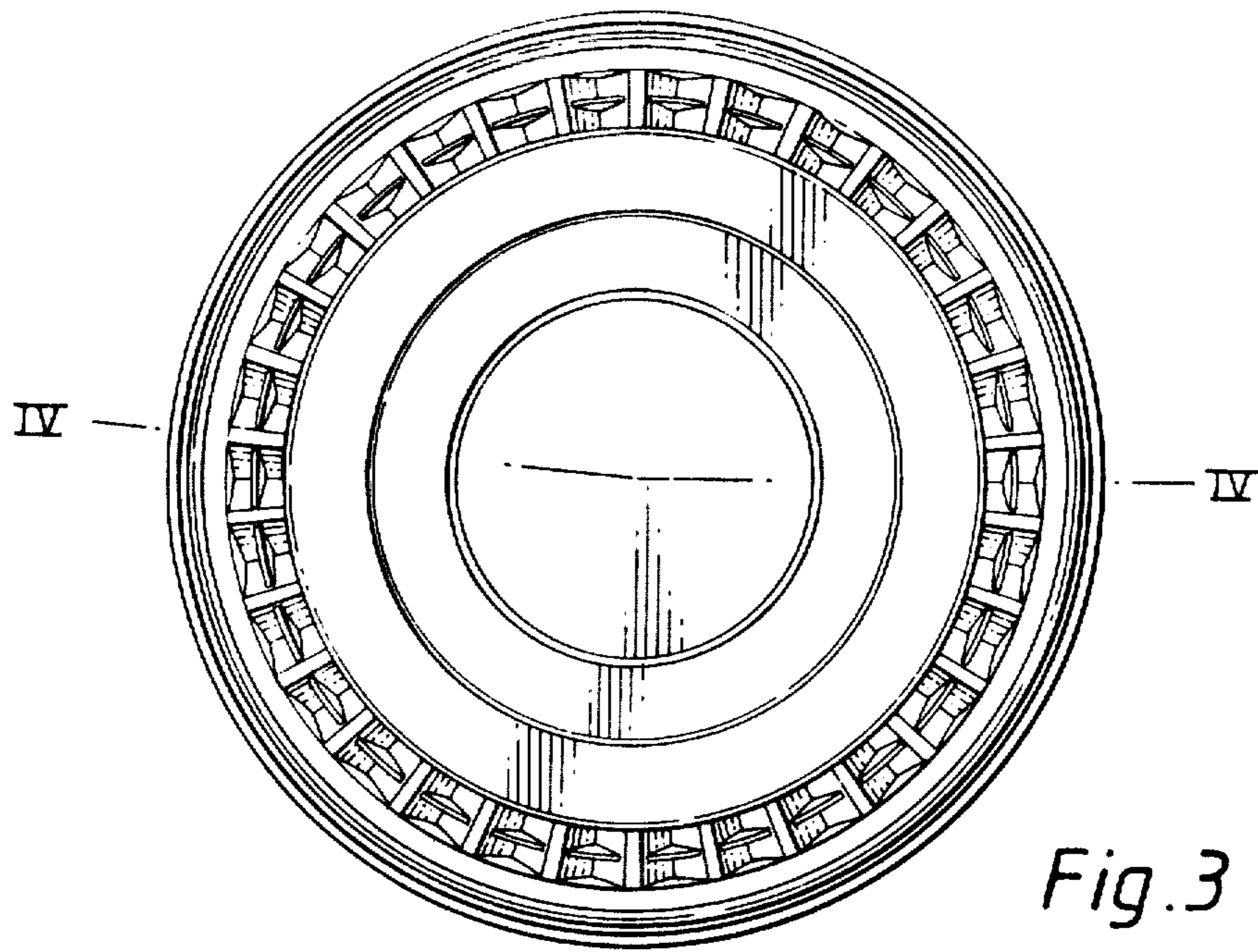


Fig. 3

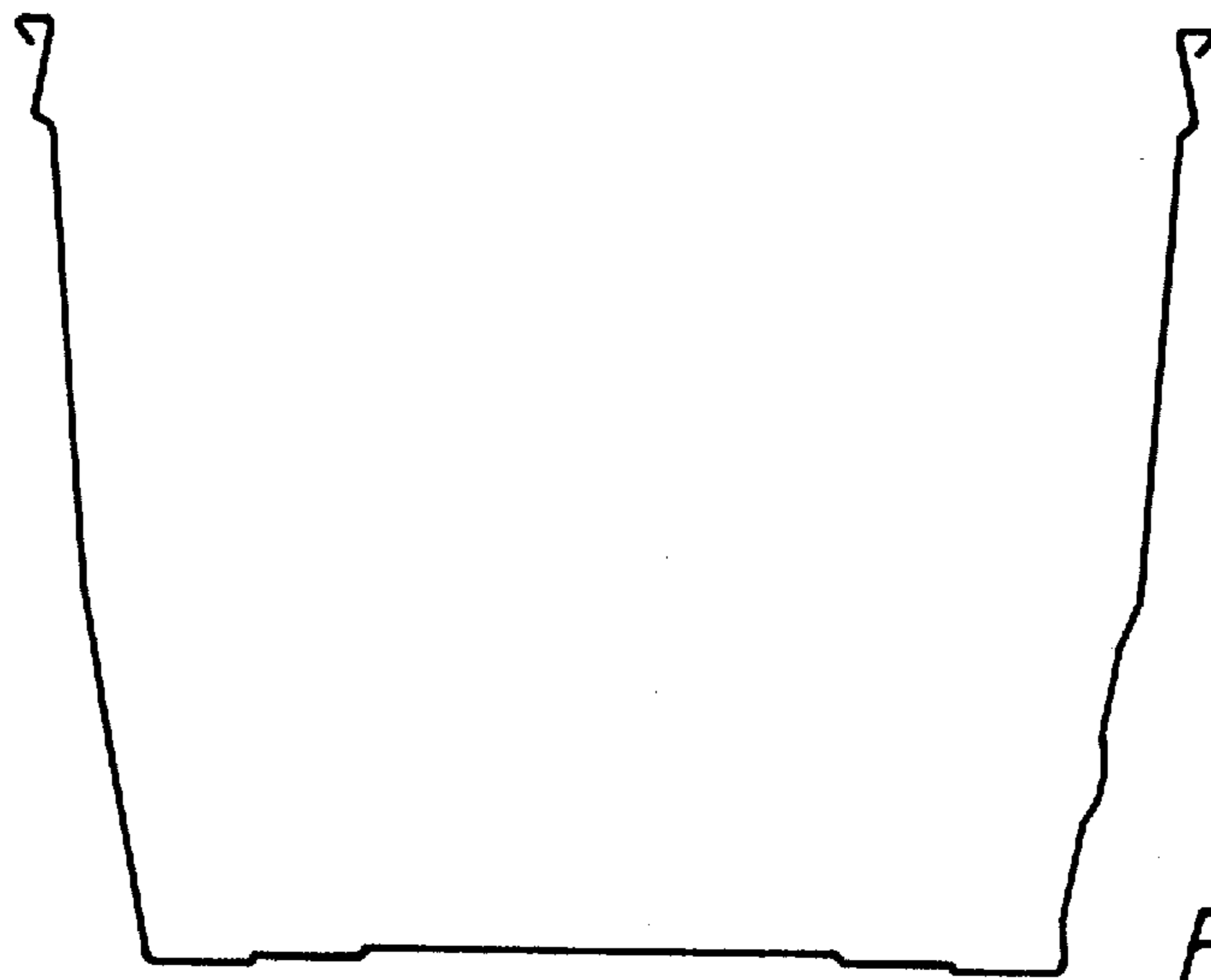


Fig. 4