

[54] PERFUME BOTTLE

[76] Inventor: Dakota Jackson, 383 W. Broadway, New York, N.Y. 10012

[**] Term: 14 Years

[21] Appl. No.: 272,957

[22] Filed: Jun. 12, 1981

[51] Int. Cl. D9-01

[52] U.S. Cl. D9/377; D9/386; D9/389; D9/402

[58] Field of Search D9/377, 384, 386, 389, D9/402; D28/76, 77, 85; 229/22

[56] References Cited

U.S. PATENT DOCUMENTS

- D. 44,881 11/1913 Alexander et al. D9/389
- D. 50,010 12/1916 Bell D9/386

- D. 50,011 12/1916 Bell D9/386 X
- D. 94,546 2/1935 Gibson D9/377

Primary Examiner—Robert C. Spangler
Attorney, Agent, or Firm—McGlew and Tuttle

[57] CLAIM

The ornamental design for a perfume bottle, substantially as shown.

DESCRIPTION

FIG. 1 is a perspective view of a perfume bottle showing my new design;
 FIG. 2 is a top plan view on an enlarged scale;
 FIG. 3 is a side elevational view thereof;
 FIG. 4 is a front elevational view;
 FIG. 5 is an elevational view looking from the right of FIG. 4;
 FIG. 6 is a rear elevational view; and
 FIG. 7 is a bottom plan view thereof.

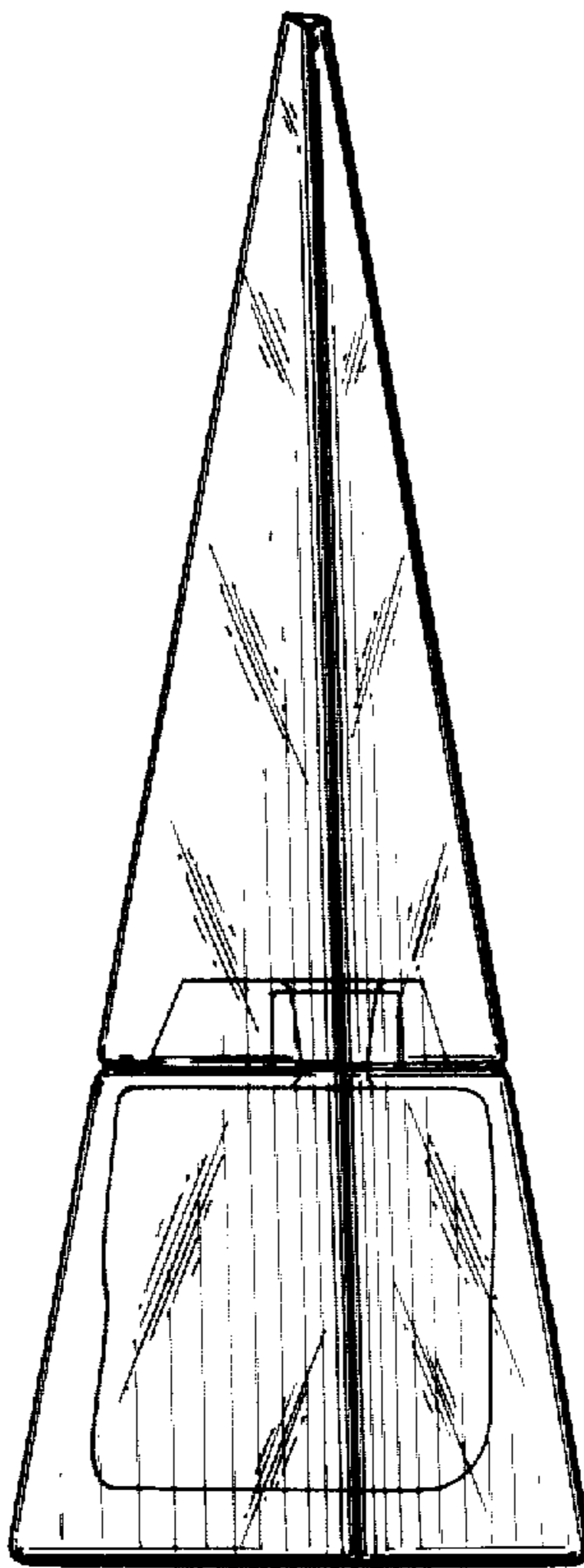


FIG. 1

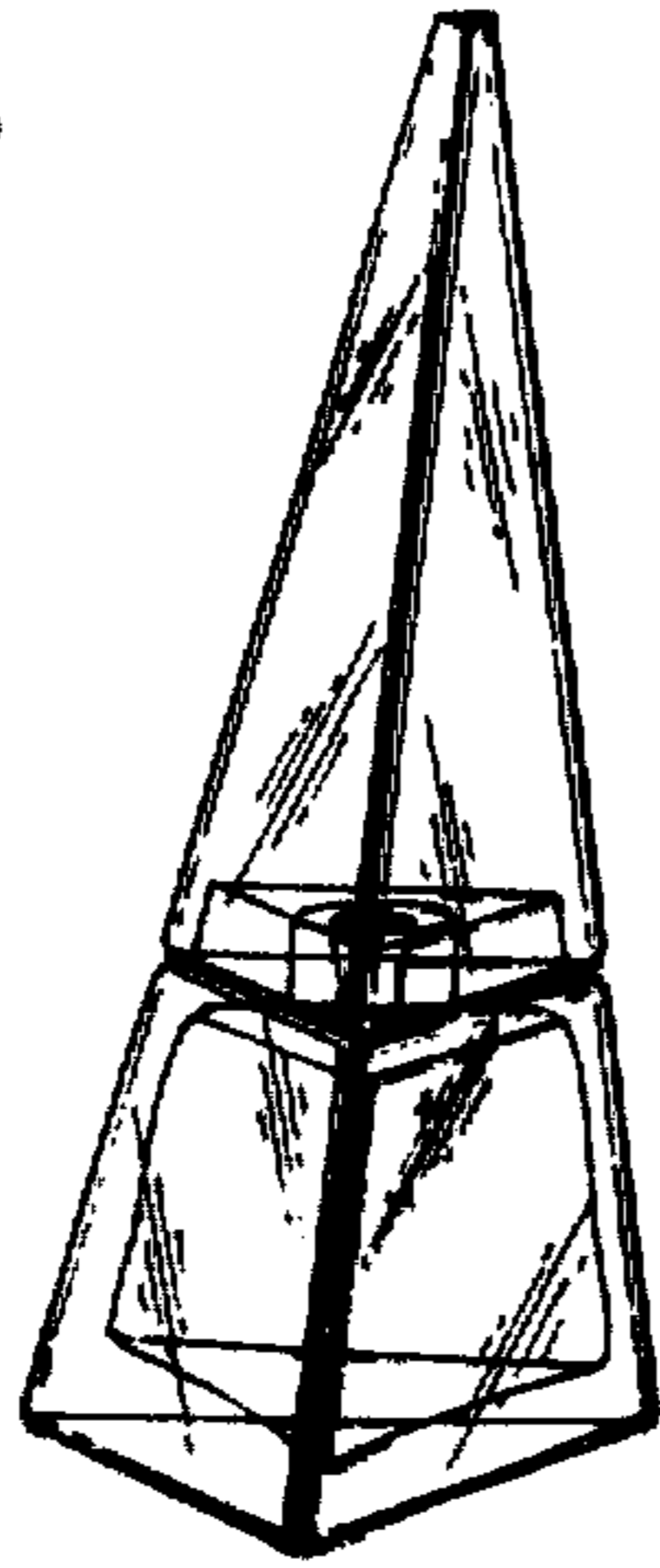


FIG. 2

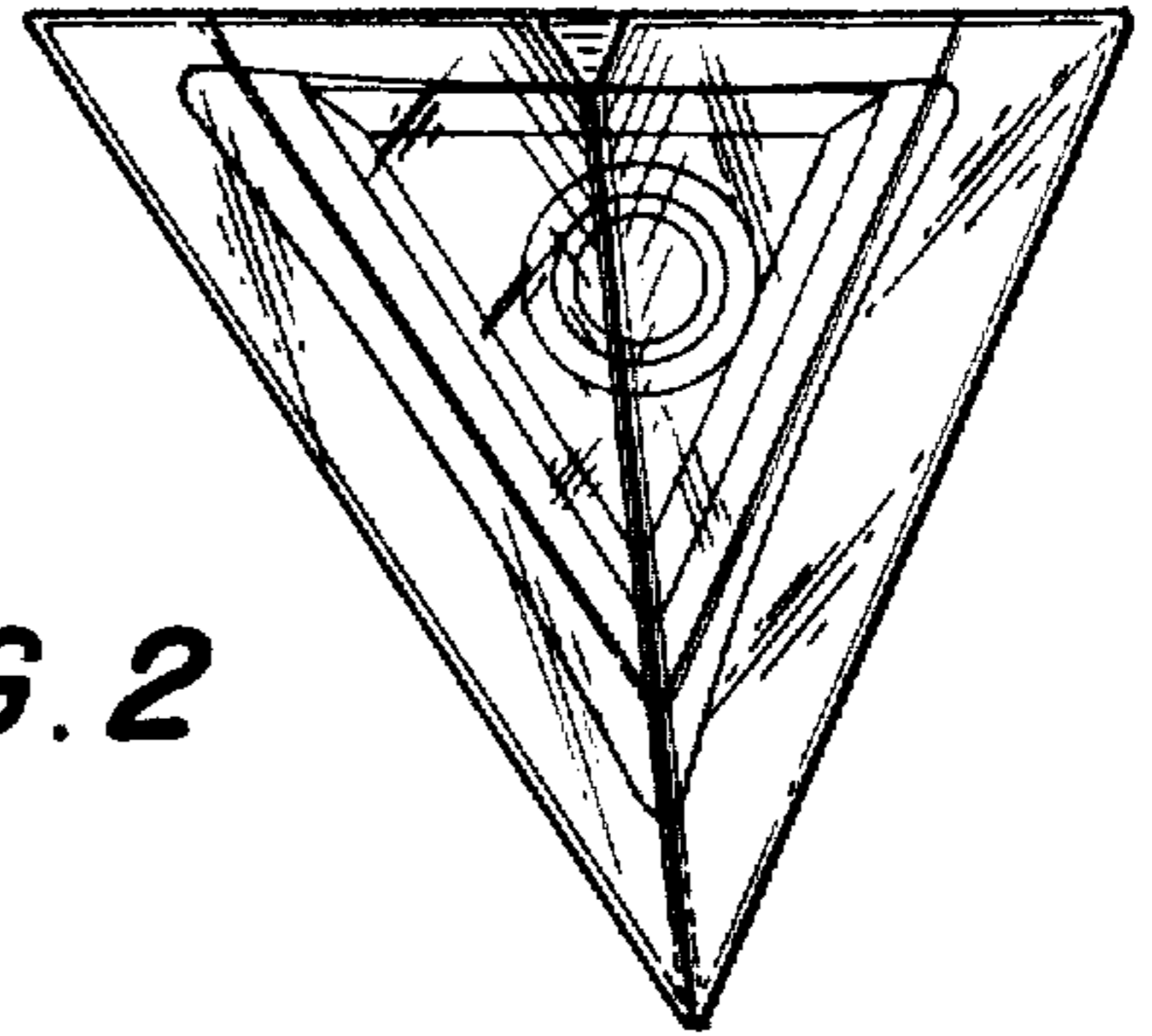


FIG. 3

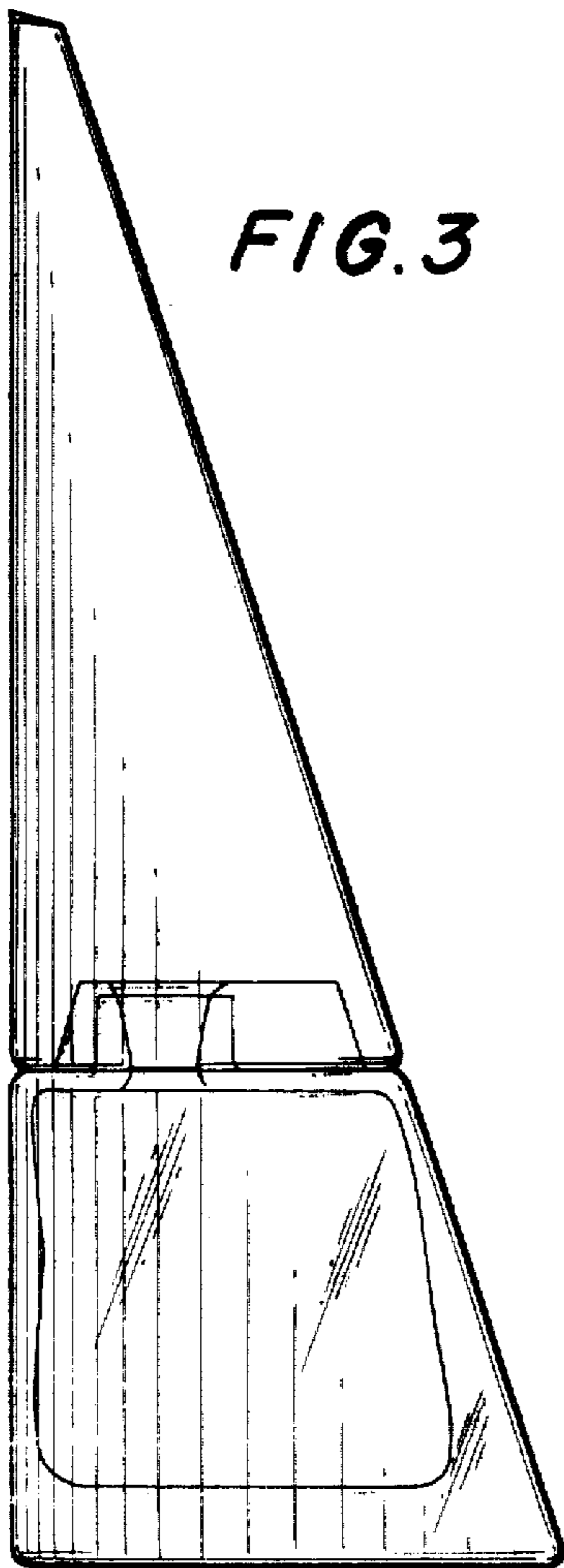


FIG. 4

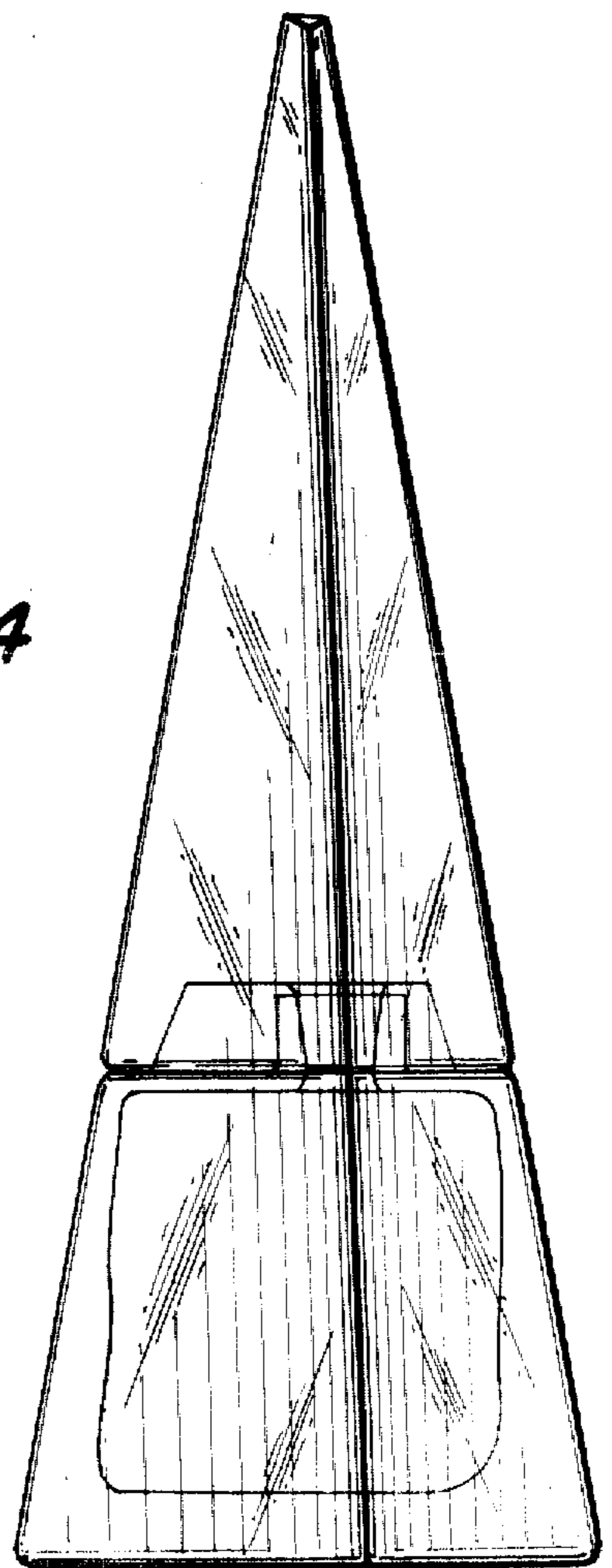


FIG. 5

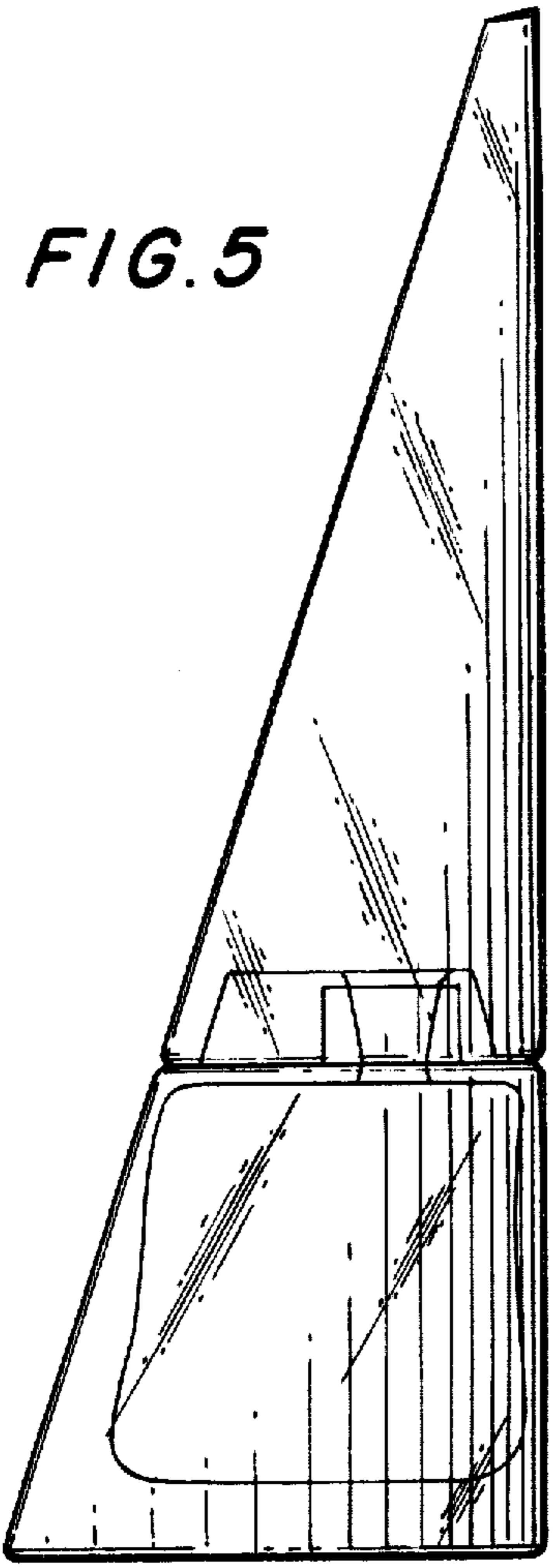


FIG. 6

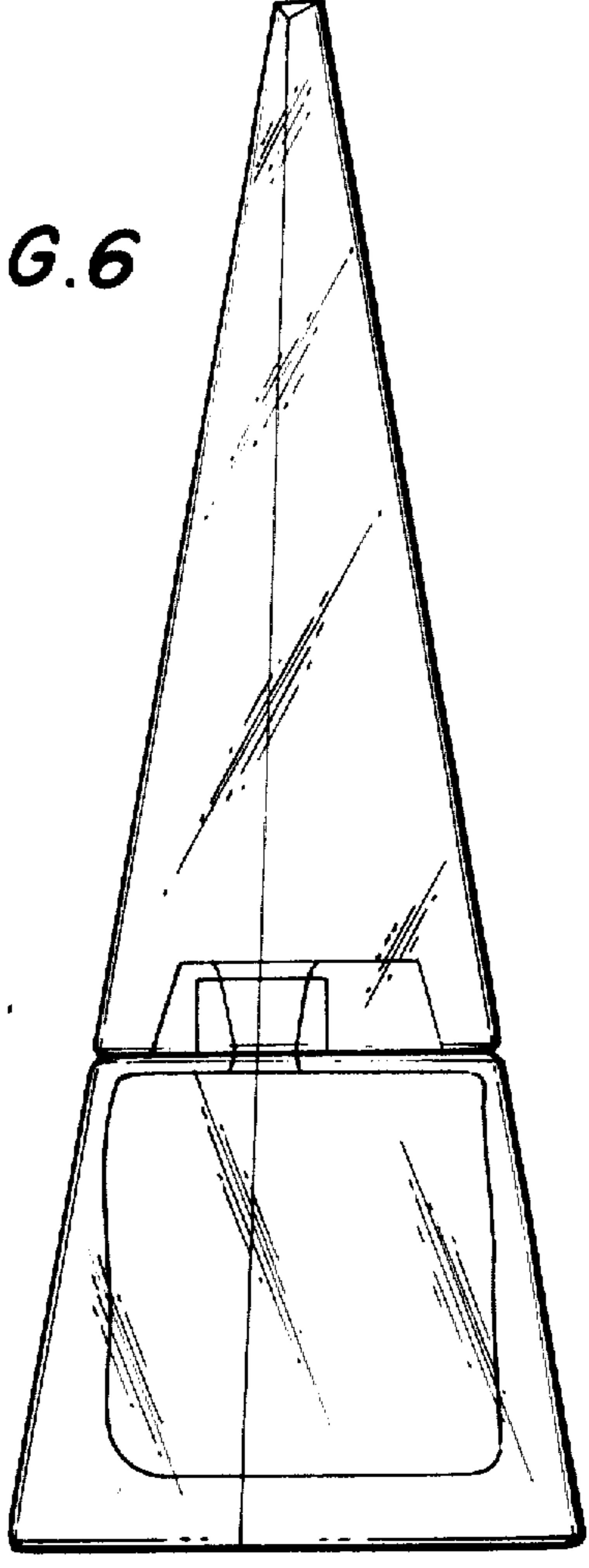
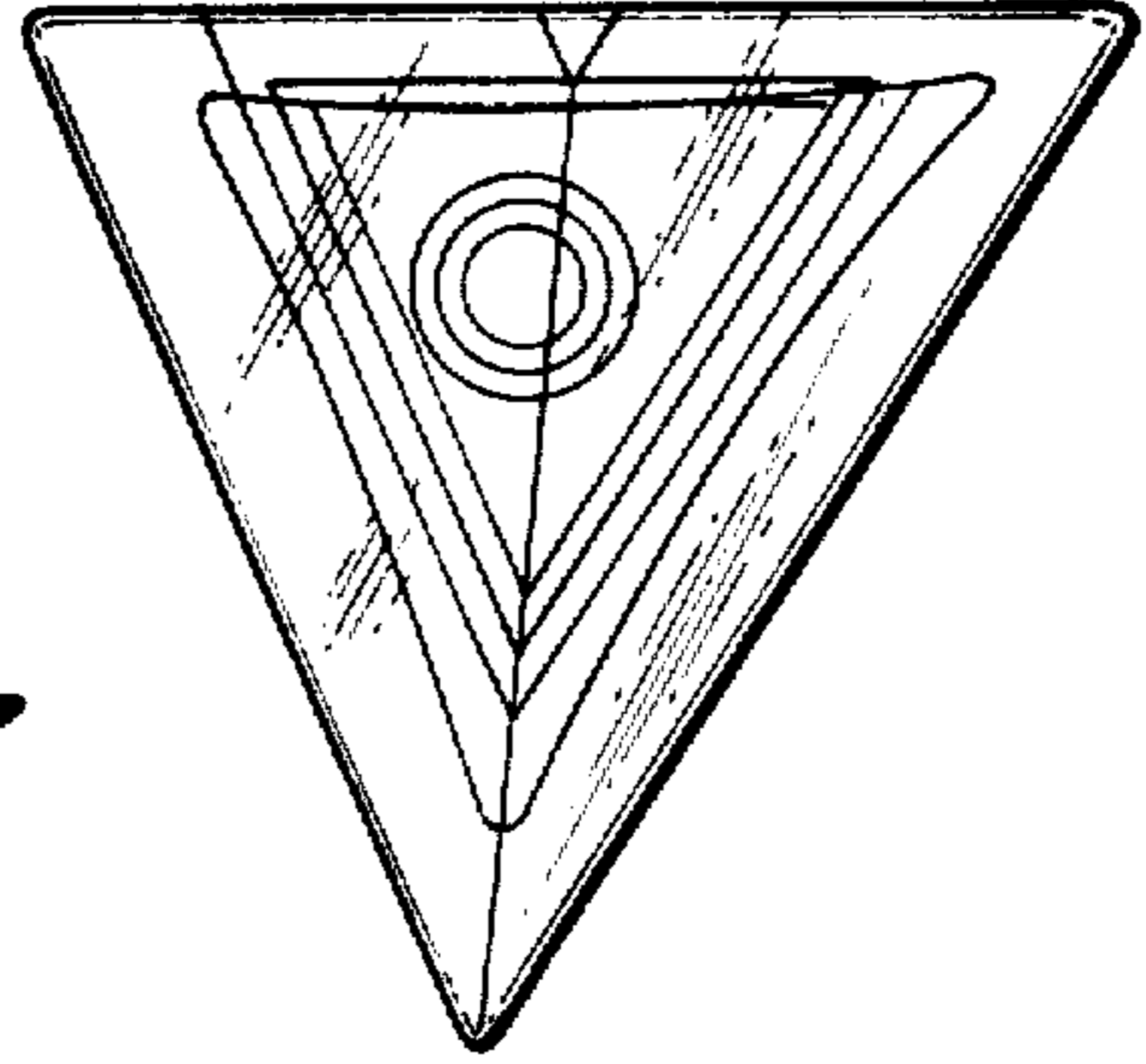


FIG. 7



UNITED STATES PATENT OFFICE
CERTIFICATE OF CORRECTION

PATENT NO. : Des. 271,082
DATED : October 25, 1983
INVENTOR(S) : Dakota Jackson

It is certified that error appears in the above-identified patent and that said Letters Patent are hereby corrected as shown below:

Title page, paragraph designation [73], identify the
Assignee:

-- Diane Von Furstenberg Studio
New Milford, Ct. --.

Column 2, line 4, the name of the Attorney/Firm should read
-- Lackenbach Siegel Marzullo Presta & Aronson --, and
"McGlew & Tuttle" should be deleted.

Signed and Sealed this

Sixth Day of March 1984

[SEAL]

Attest:

GERALD J. MOSSINGHOFF

Attesting Officer

Commissioner of Patents and Trademarks