

[54] **PILL CONTAINER**

[75] Inventor: Terrance O. Noble, Rosemount, Minn.

[73] Assignee: Quanterron, Inc., Burnsville, Minn.

[**] Term: 14 Years

[21] Appl. No.: 271,798

[22] Filed: Jun. 8, 1981

[51] Int. Cl. D9-03

[52] U.S. Cl. D9/341; D9/420

[58] Field of Search 206/528, 538, 539, 531, 206/532; D9/341, 421, 423, 432, 420

[56] **References Cited**

U.S. PATENT DOCUMENTS

D. 236,881	9/1975	Mitchell	D9/341
D. 253,933	1/1980	Bridges	D9/341
4,084,695	4/1978	Halbich	206/538 X
4,253,572	3/1981	Halbich	206/538
4,372,445	2/1983	Keffeler	206/538 X

Primary Examiner—Robert C. Spangler
Attorney, Agent, or Firm—Merchant, Gould, Smith, Edell, Welter & Schmidt

[57] **CLAIM**

The new and ornamental design for a pill container, substantially as shown and described.

DESCRIPTION

FIG. 1 is a top, front perspective view of a pill container showing my new design;
 FIG. 2 is a perspective view similar to FIG. 1 with the individual compartments open;
 FIG. 3 is a view in top plan with the individual compartments closed;
 FIG. 4 is a view in bottom plan;
 FIG. 5 is a front elevational view thereof;
 FIG. 6 is a rear elevational view thereof;
 FIG. 7 is an elevational view as viewed from the right end thereof; and
 FIG. 8 is an elevational view as viewed from the left end thereof.

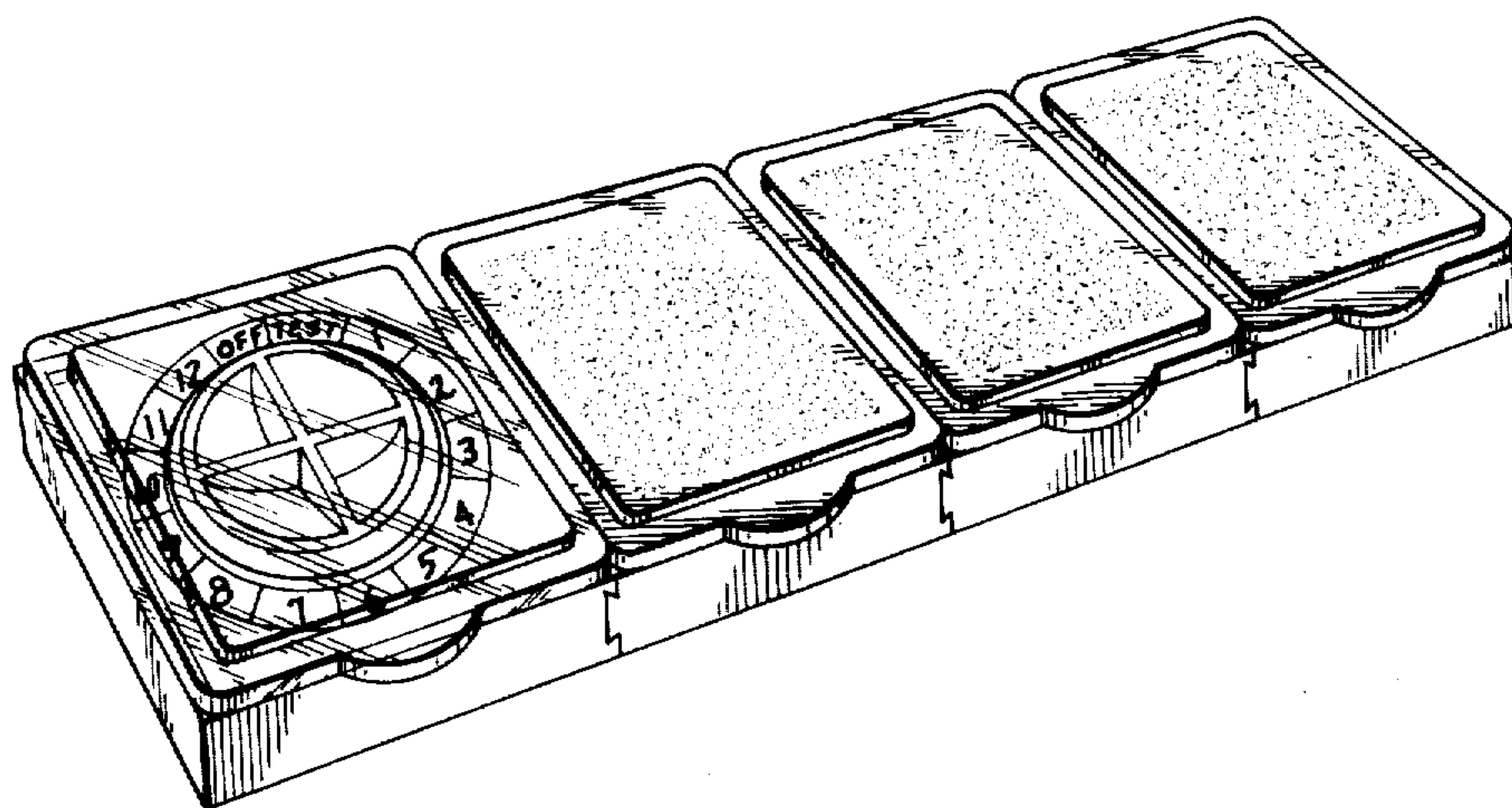


FIG. 1

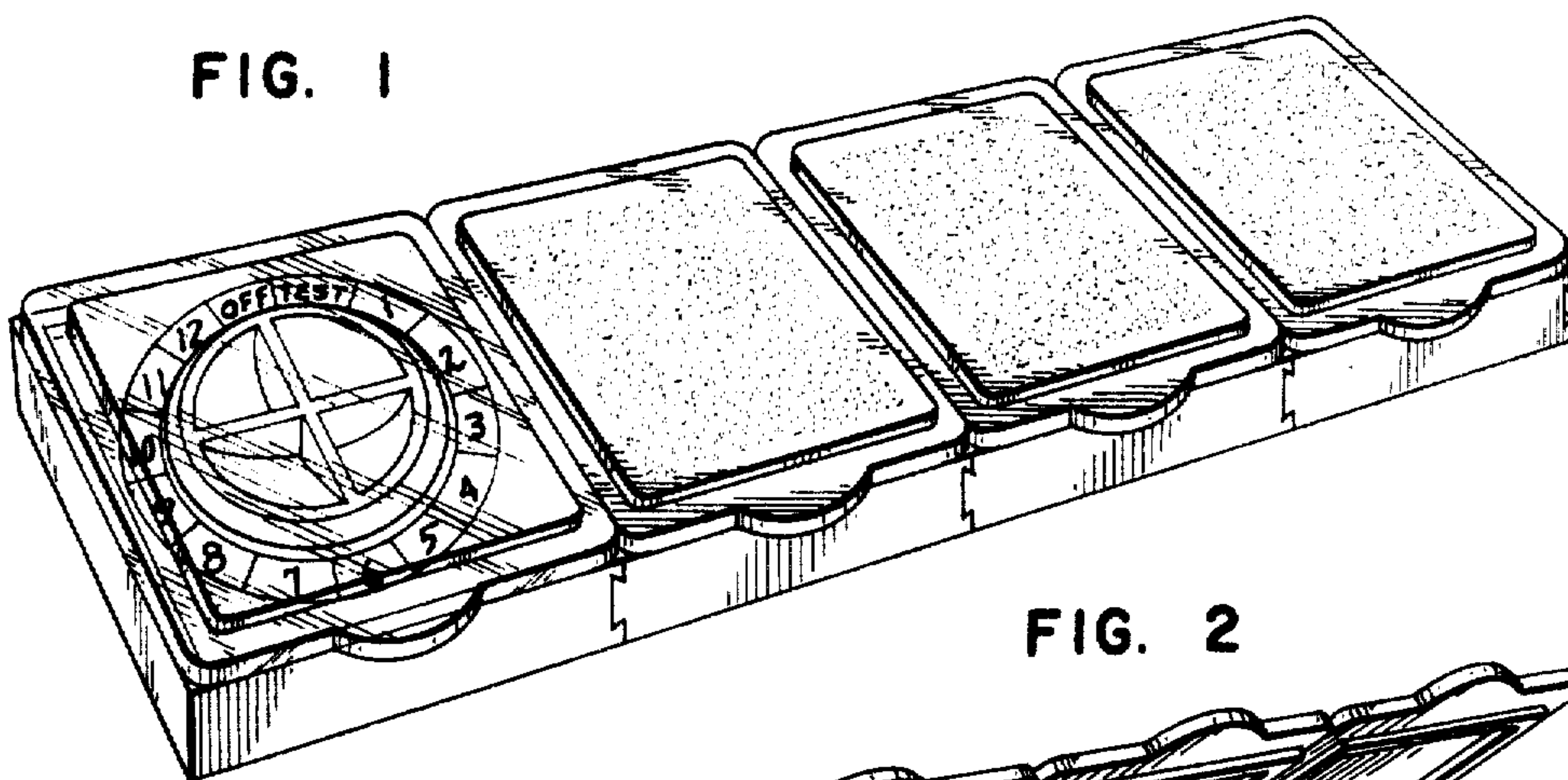


FIG. 2

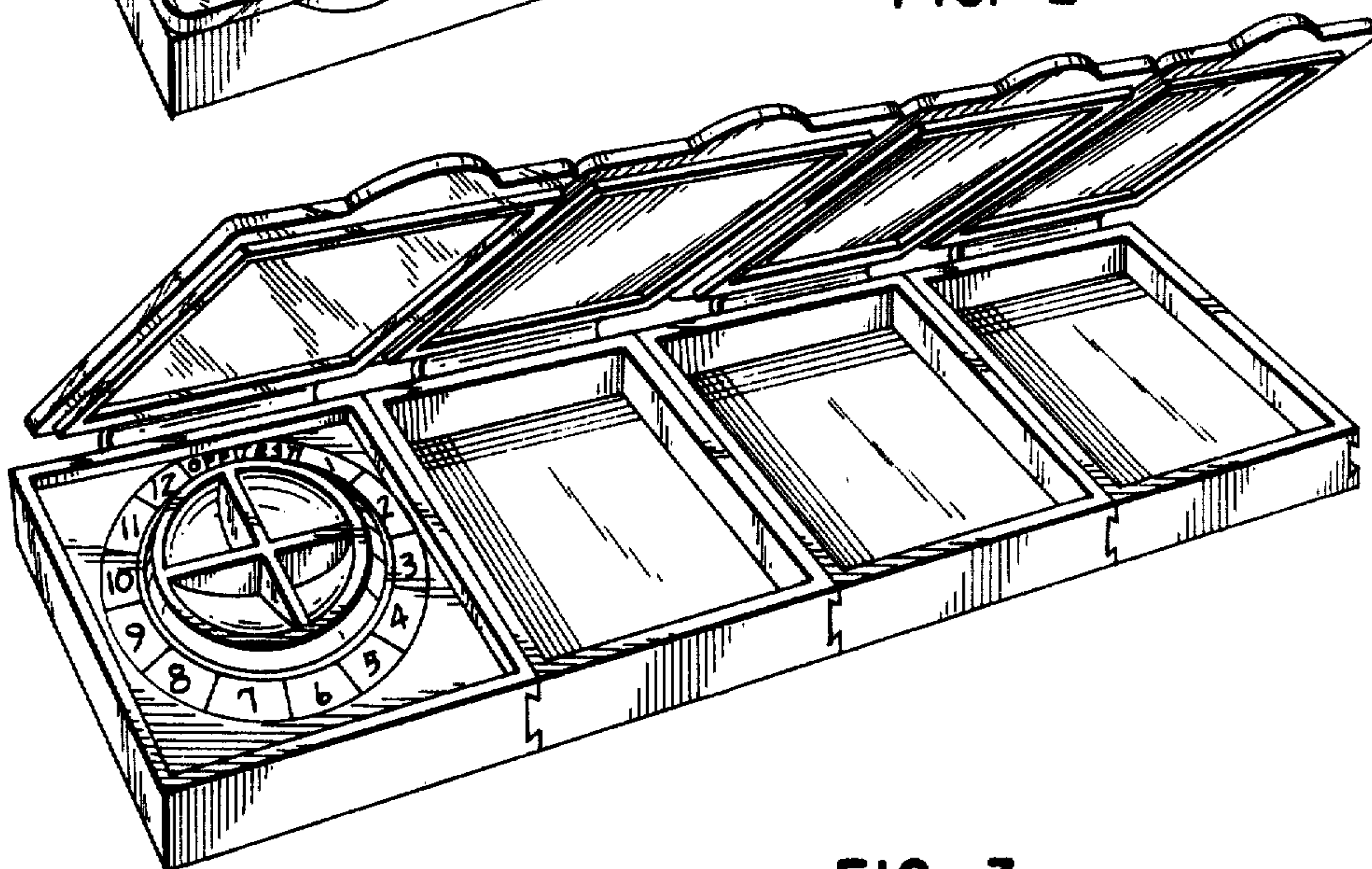


FIG. 3

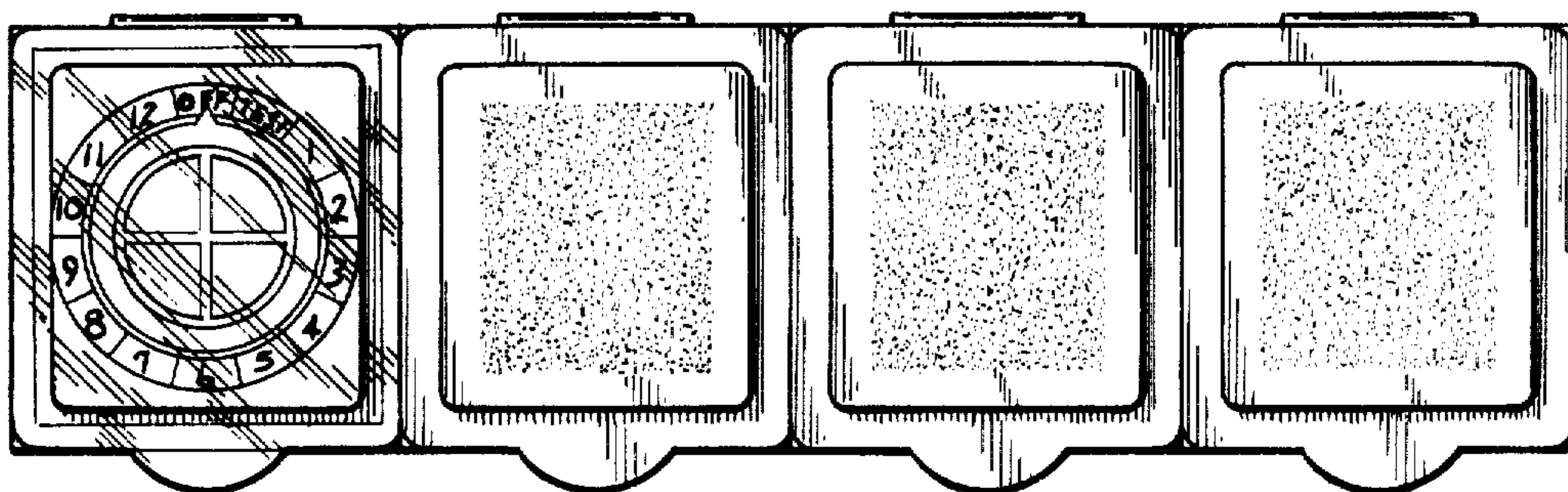


FIG. 4

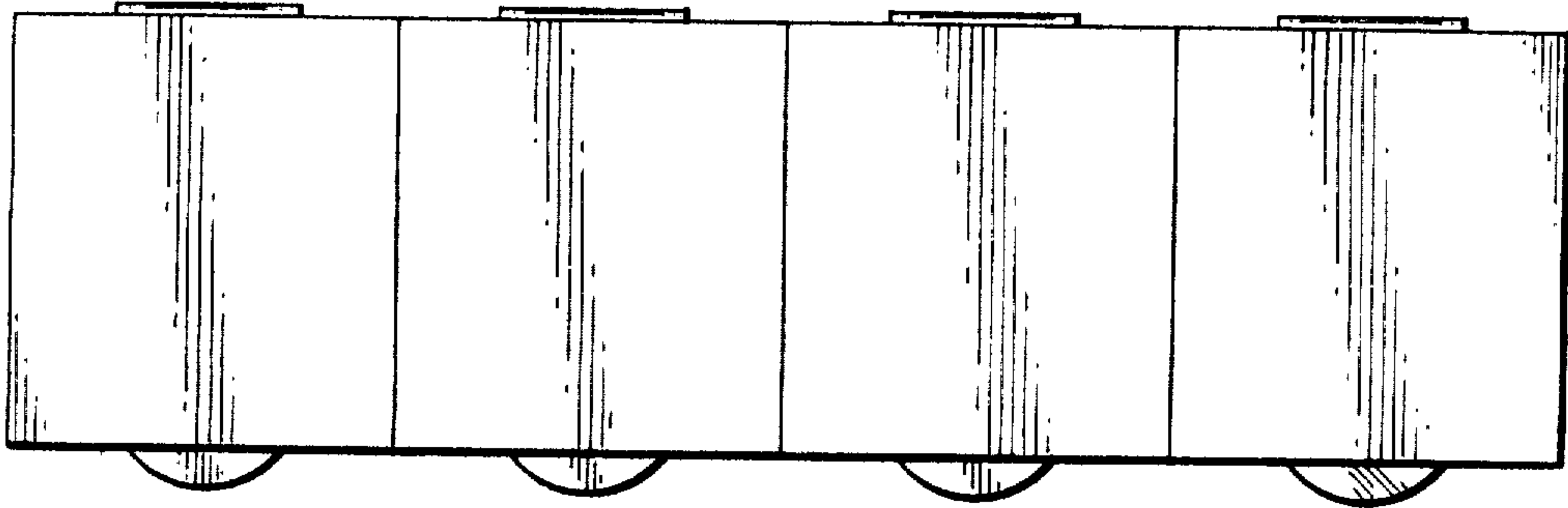


FIG. 5

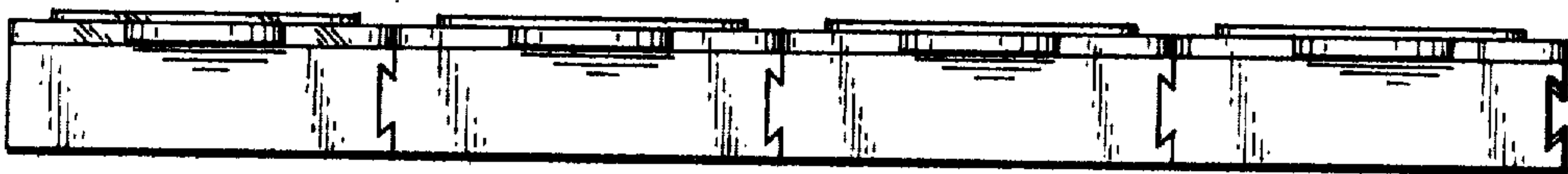


FIG. 6

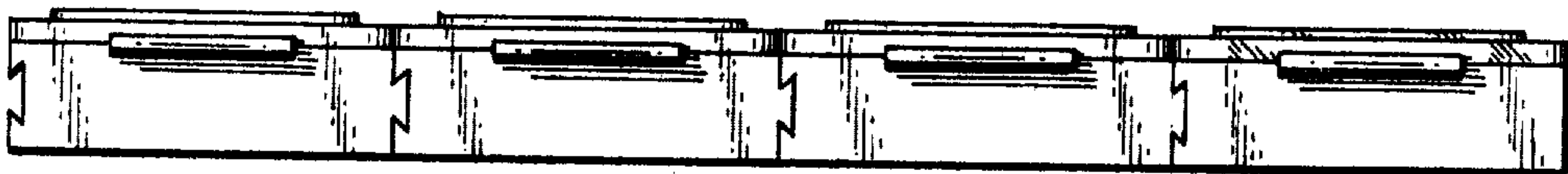


FIG. 7

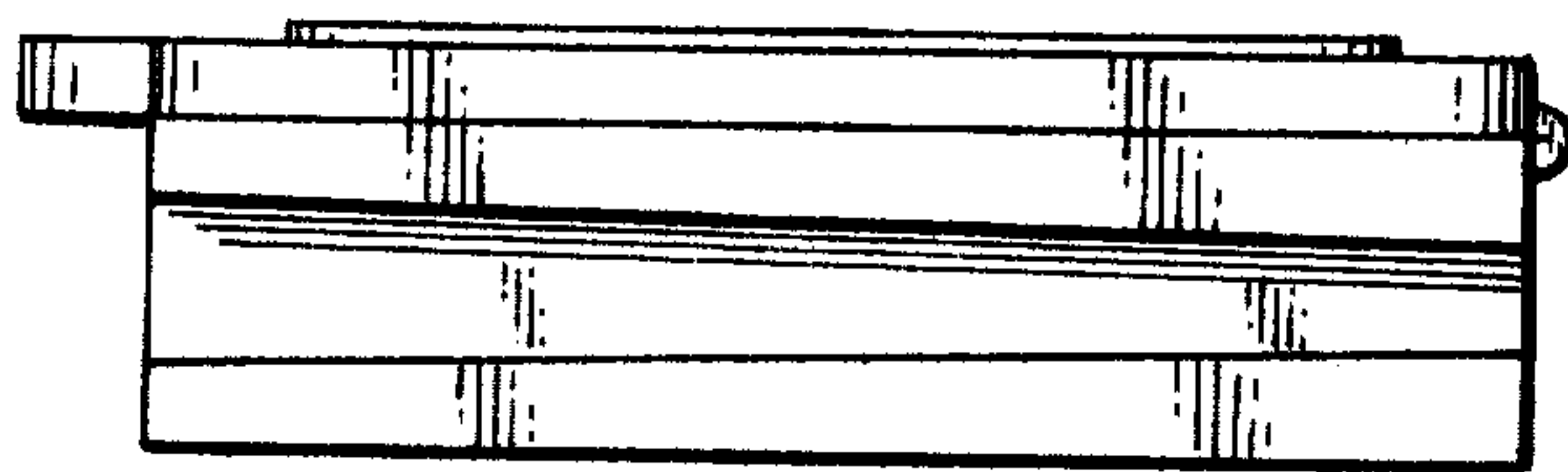


FIG. 8

