

[54] **HOSE CASSETTE**

[75] **Inventor: John R. Houghton, Skjetten, Norway**

[73] **Assignee: Heger Plastics A/S, Oslo, Norway**

[\*\*] **Term: 14 Years**

[21] **Appl. No.: 250,675**

[22] **Filed: Apr. 3, 1981**

[30] **Foreign Application Priority Data**

Oct. 8, 1980 [NO] Norway ..... 61405

[51] **Int. Cl. .... D8—08**

[52] **U.S. Cl. .... D8/359; D8/358**

[58] **Field of Search .... 242/86, 86.1, 86.2,  
242/96, 74, 74.1; D8/258, 259; D22/25, 26**

[56]

**References Cited**

**U.S. PATENT DOCUMENTS**

D. 257,423 10/1980 Tiedemann ..... D8/359  
D. 260,962 9/1981 Hechler ..... D8/359  
4,061,290 12/1977 Harrill ..... D8/358 X  
4,200,249 4/1980 Synsteliën et al. .... D8/358 X  
4,220,293 9/1980 Gename ..... D8/359 X

*Primary Examiner—A. Hugo Word*

*Attorney, Agent, or Firm—Wenderoth, Lind & Ponack*

[57]

**CLAIM**

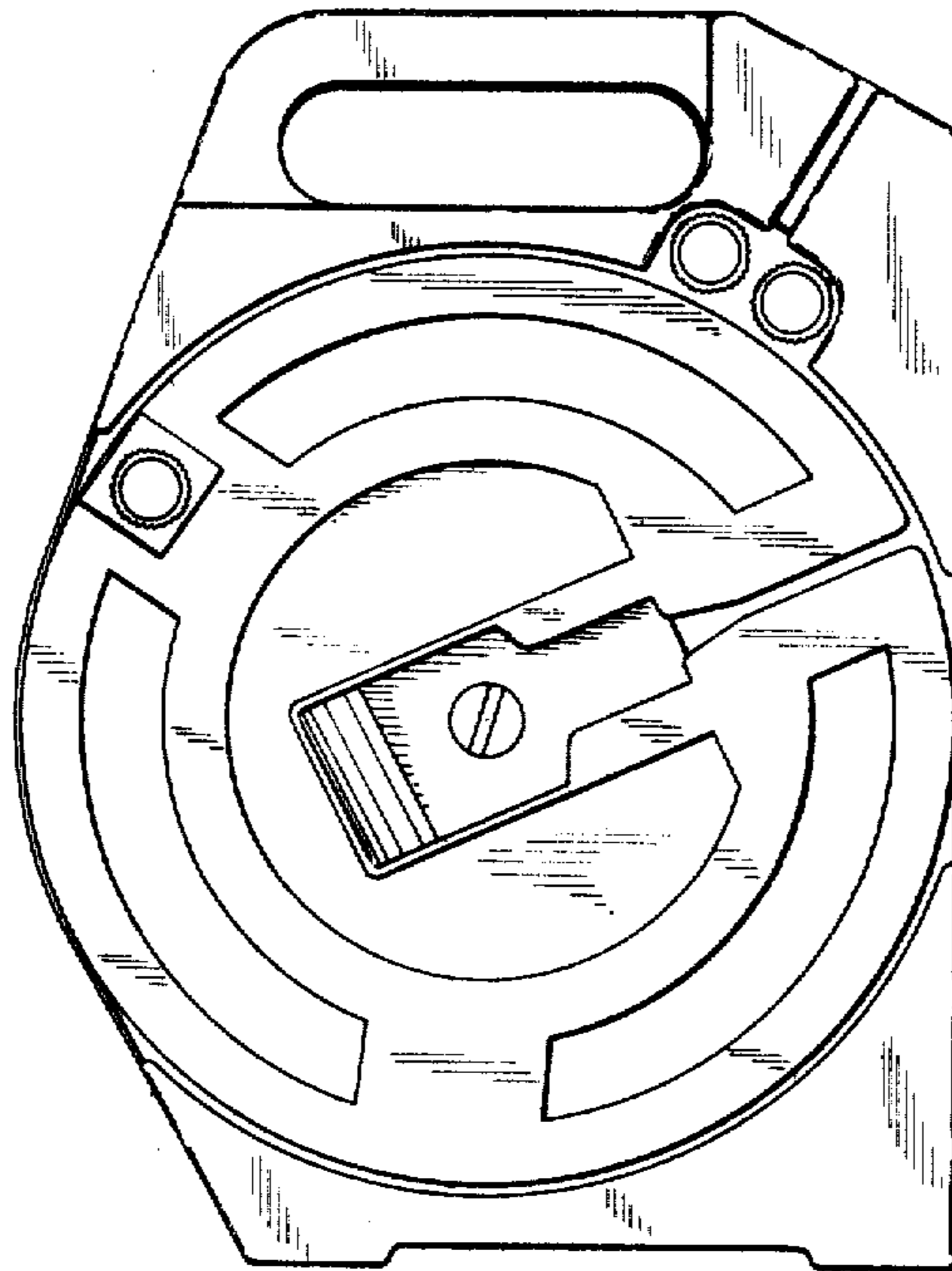
The ornamental design for a hose cassette, substantially as shown.

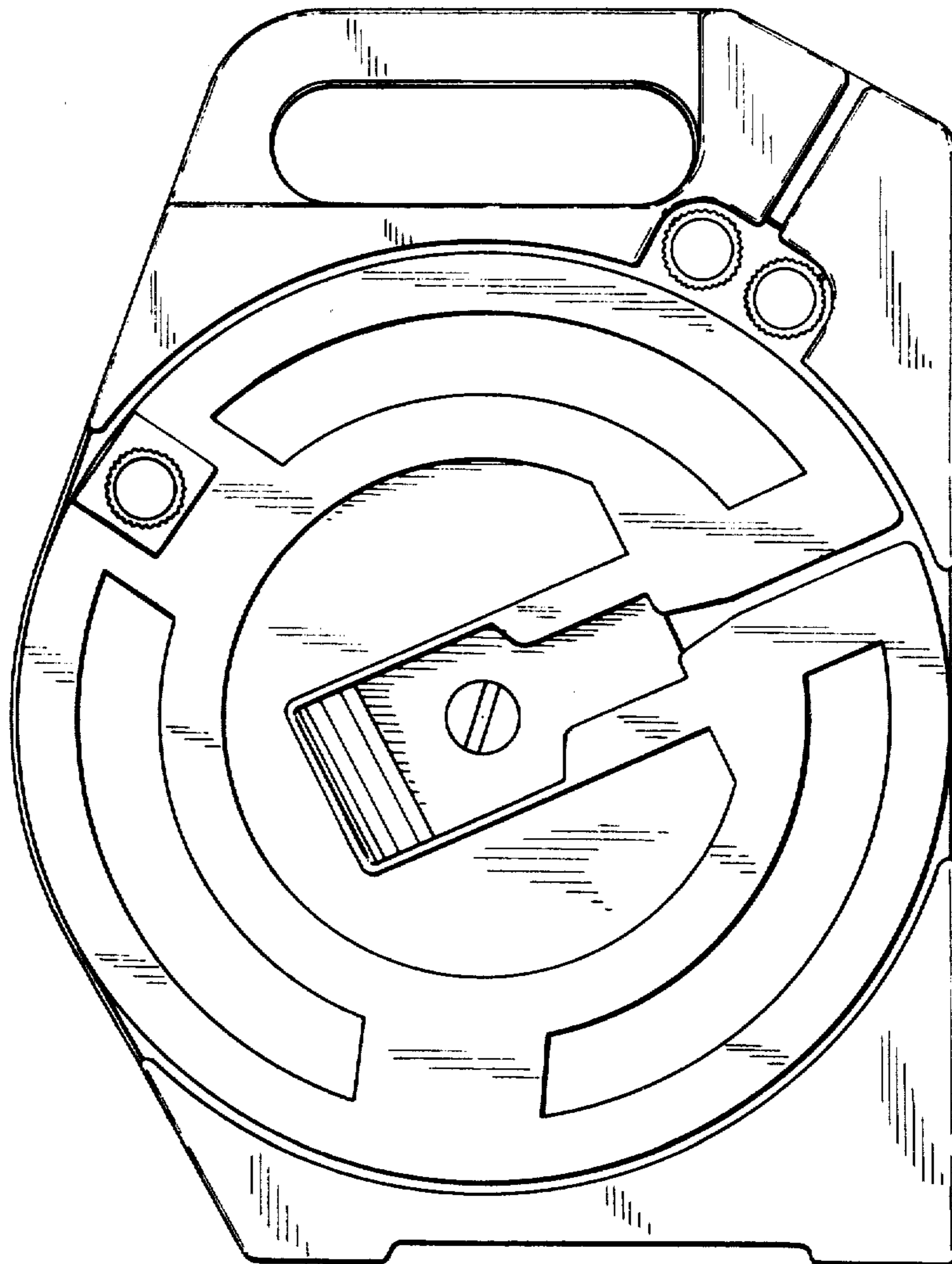
**DESCRIPTION**

FIG. 1 is a top plane view of a hose cassette according to my new design;

FIG. 2 is a bottom plan view thereof; and

FIG. 3 is a right side elevational view as viewed from FIG. 1.





*FIG. 1*

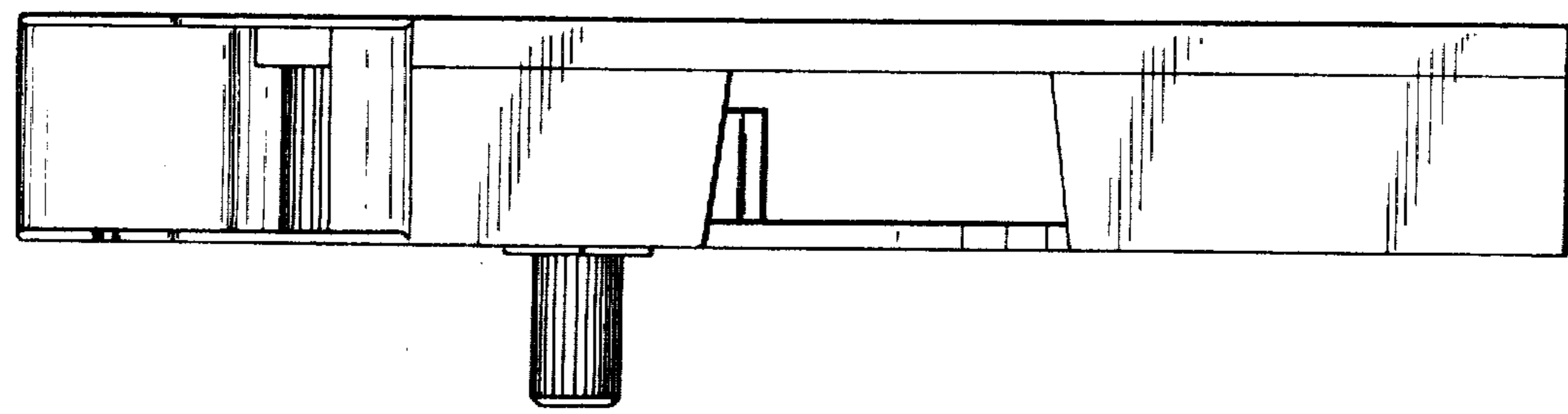


FIG. 3

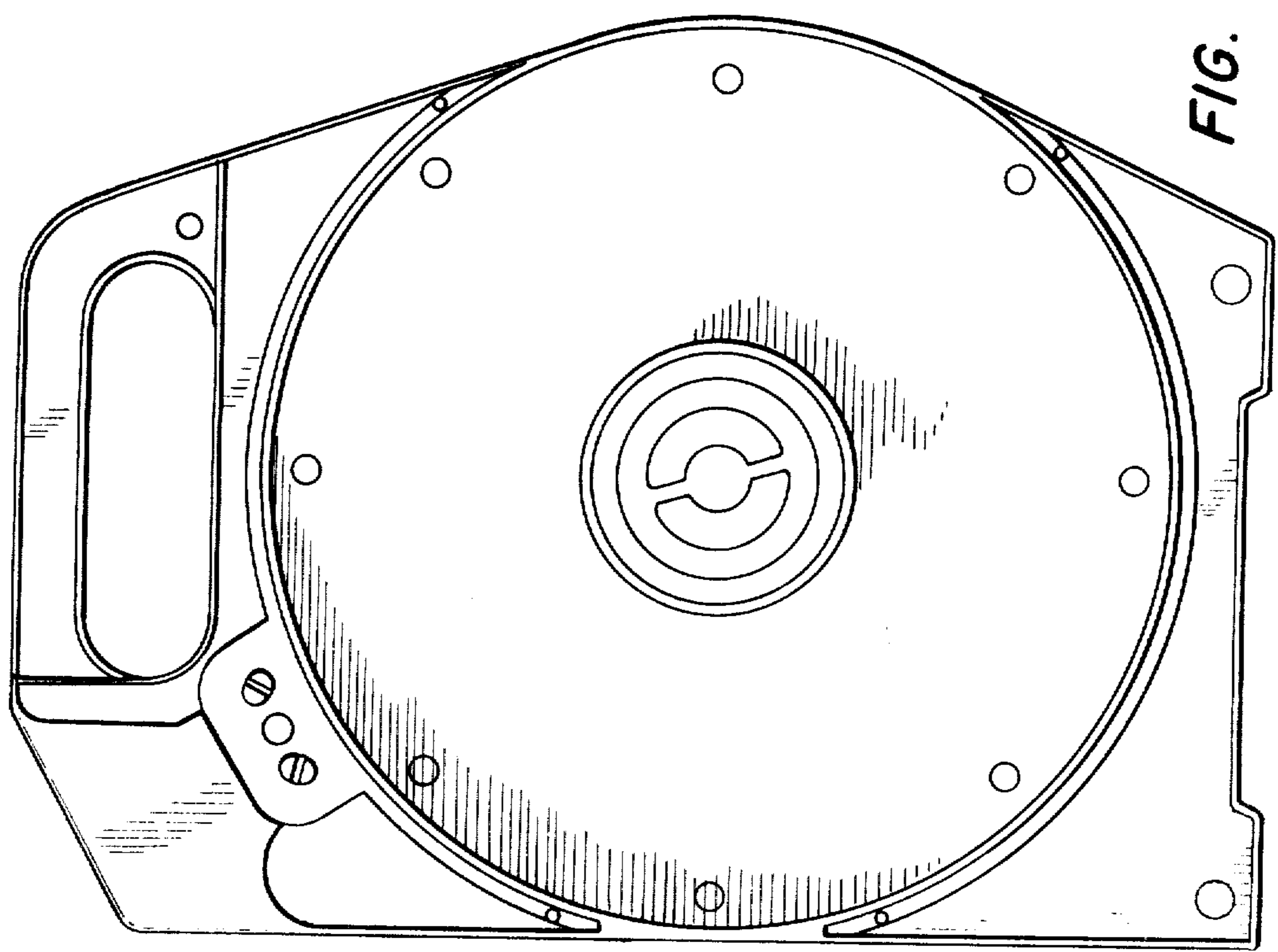


FIG. 2