

- [54] **REEL FOR A HOSE CASSETTE**
- [75] Inventor: **John R. Houghton, Skjetten, Norway**
- [73] Assignee: **Heger Plastics A/S, Oslo, Norway**
- [\*\*] Term: **14 Years**
- [21] Appl. No.: **250,674**
- [22] Filed: **Apr. 3, 1981**
- [30] **Foreign Application Priority Data**  
Oct. 8, 1980 [NO] Norway ..... 61404
- [51] Int. Cl. .... **D8-08**
- [52] U.S. Cl. .... **D8/358; D8/359**
- [58] Field of Search ..... 242/86, 86.1, 86.2,  
242/96, 74, 74.1; D8/258, 259; D22/25, 26

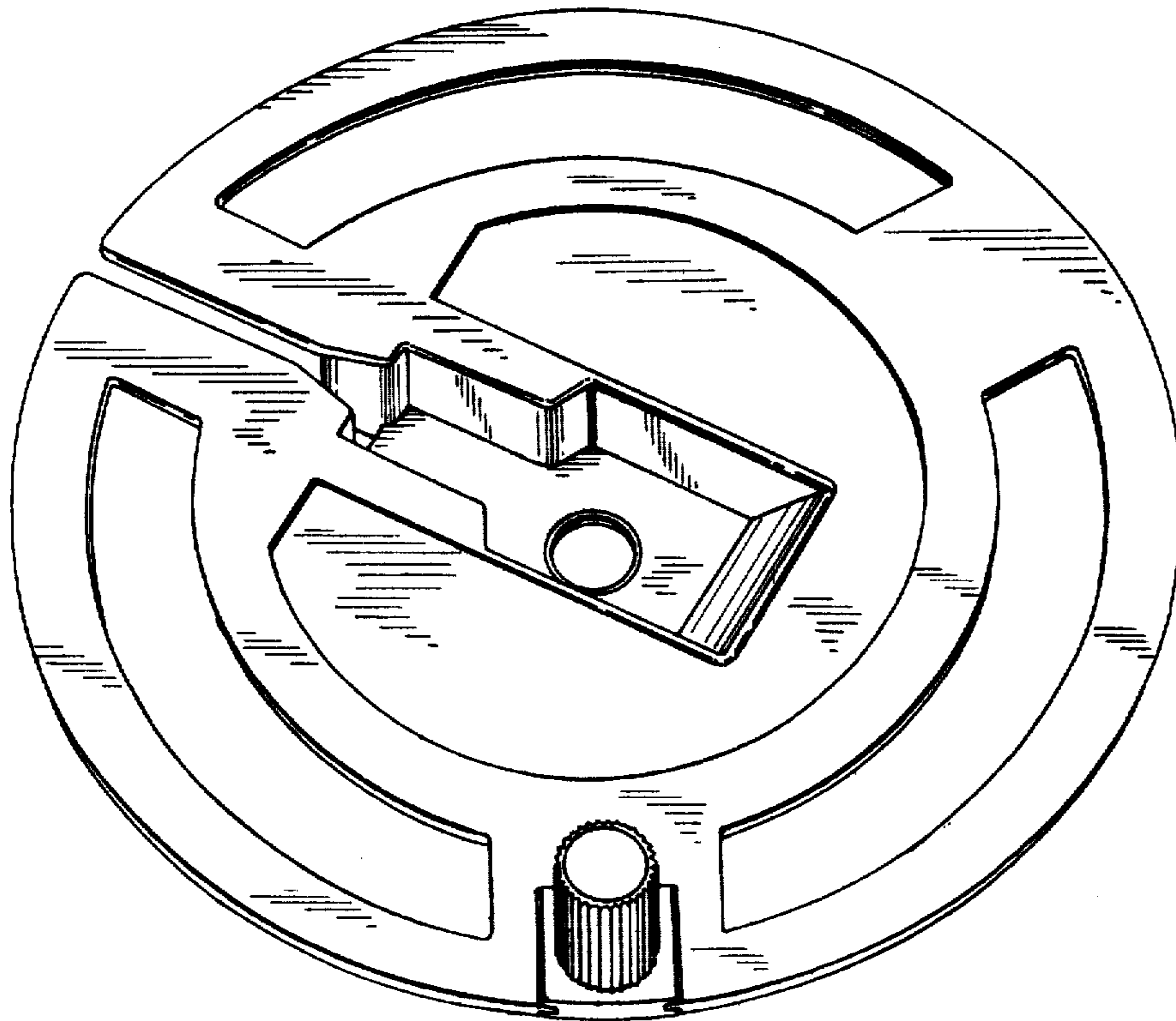
- [56] **References Cited**  
**U.S. PATENT DOCUMENTS**
- |            |         |                   |       |          |
|------------|---------|-------------------|-------|----------|
| D. 257,423 | 10/1980 | Tiedemann         | ..... | D8/359   |
| D. 260,962 | 9/1981  | Hechler           | ..... | D8/359   |
| 4,061,290  | 12/1977 | Harrill           | ..... | D8/358 X |
| 4,200,249  | 4/1980  | Synsteliën et al. | ..... | D8/358 X |
| 4,220,293  | 9/1980  | Gename            | ..... | D8/359 X |

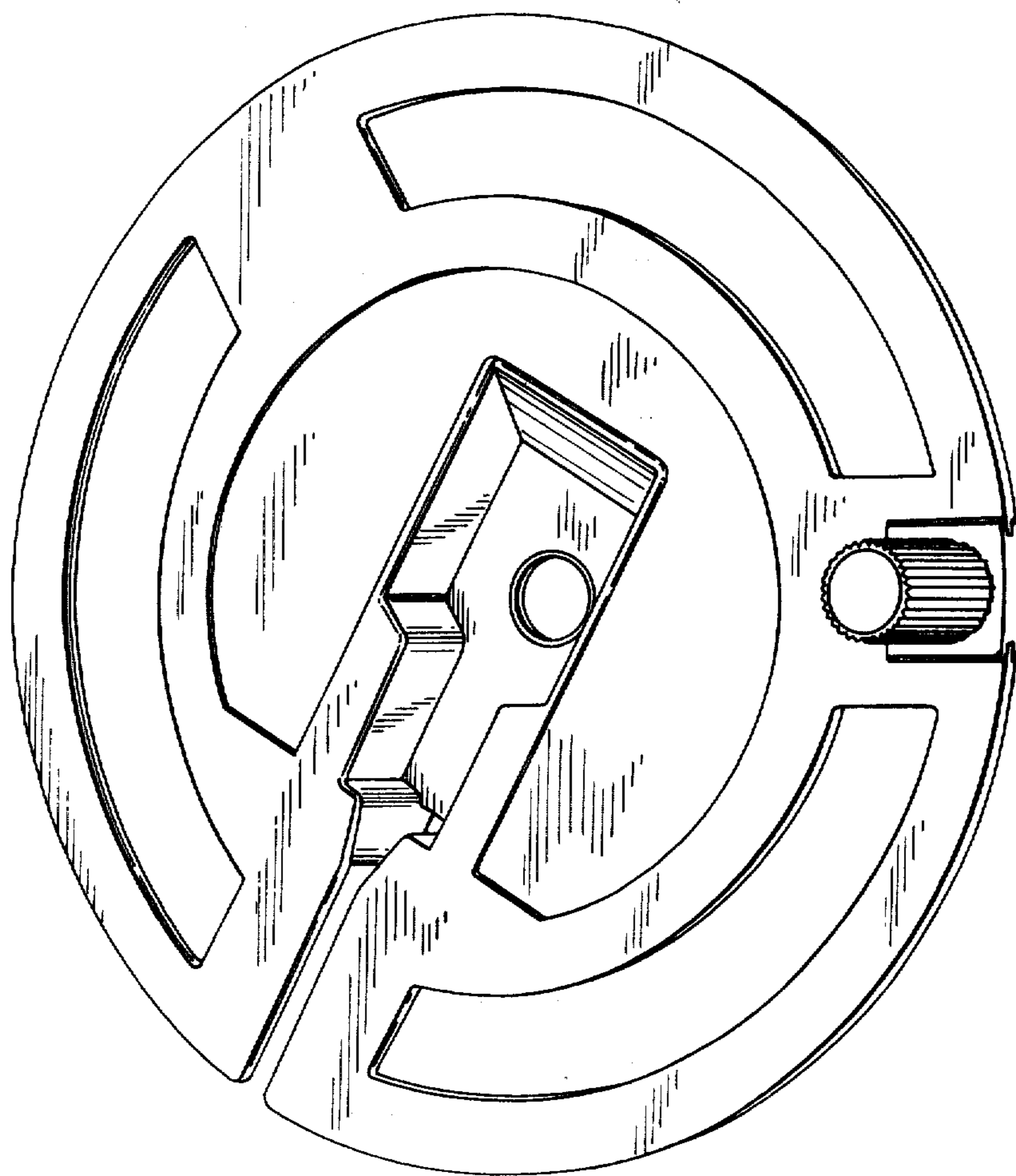
*Primary Examiner*—A. Hugo Word  
*Attorney, Agent, or Firm*—Wenderoth, Lind & Ponack

- [57] **CLAIM**
- The ornamental design for a reel for a hose cassette, substantially as shown.

**DESCRIPTION**

FIG. 1 is a top perspective view of a reel for a hose cassette according to my new design; FIG. 2 is a bottom perspective view thereof; and FIG. 3 is a side elevation view thereof.





*FIG. 1*

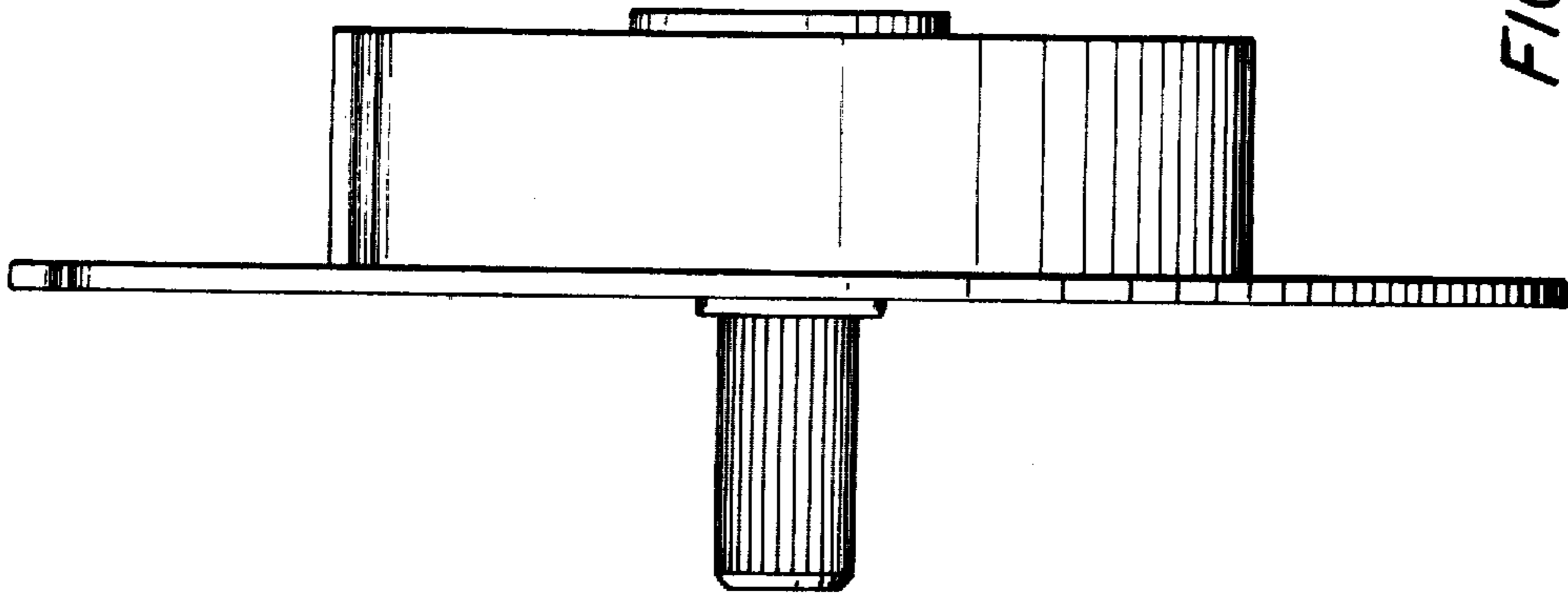


FIG. 3

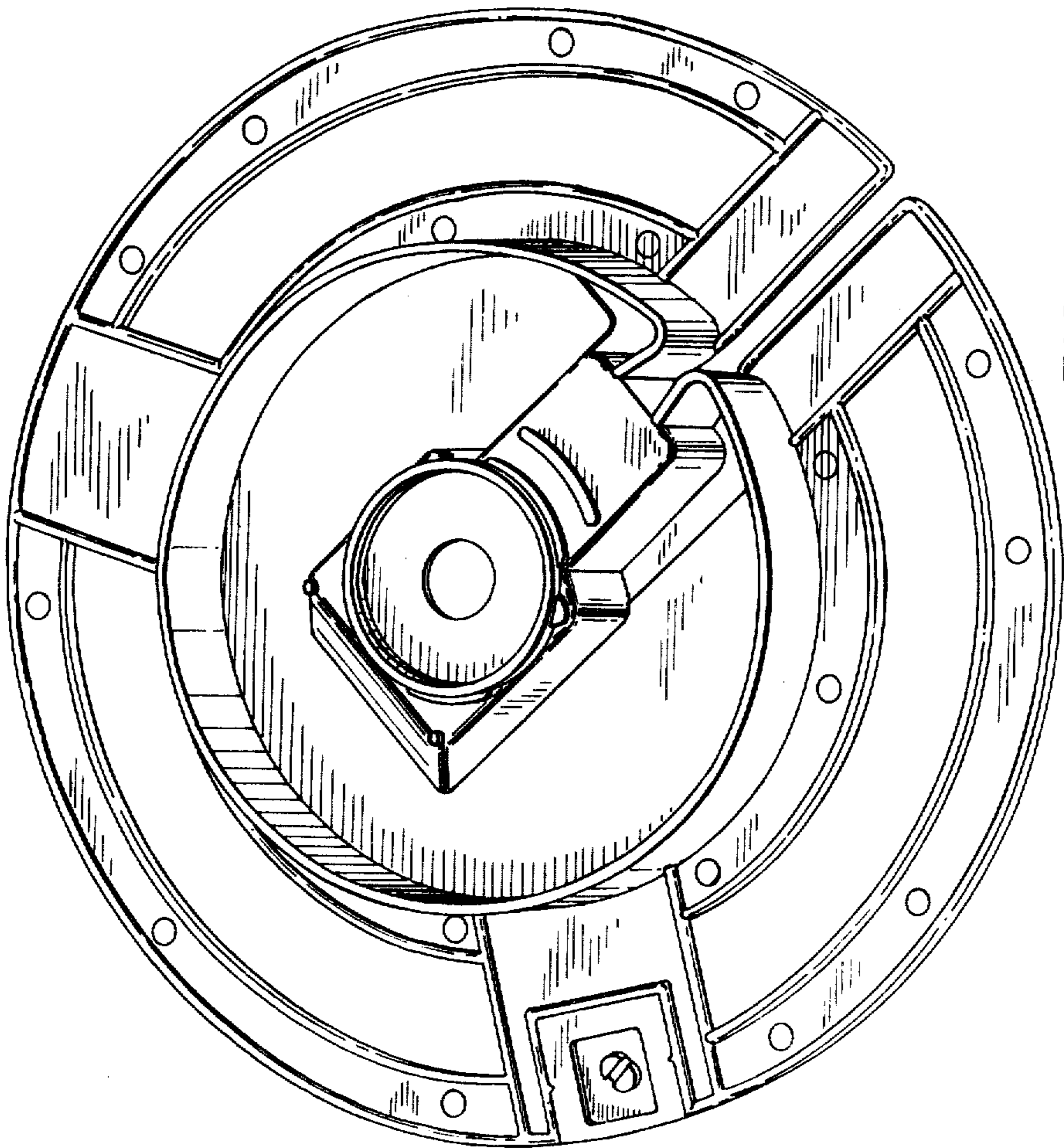


FIG. 2