

[54] **HOSE CASSETTE REEL**

[75] **Inventor: John R. Houghton, Skjetten, Norway**

[73] **Assignee: Heger Plastics A/S, Oslo, Norway**

[**] **Term: 14 Years**

[21] **Appl. No.: 250,673**

[22] **Filed: Apr. 3, 1981**

[30] **Foreign Application Priority Data**

Oct. 8, 1980 [NO] Norway 61403

[51] **Int. Cl. D8-08**

[52] **U.S. Cl. D8/358; D8/359**

[58] **Field of Search 242/86, 86.1, 86.2, 242/96, 74, 74.1; D8/258, 259; D22/25, 26**

[56] **References Cited**

U.S. PATENT DOCUMENTS

| | | | | |
|------------|---------|-------------------|-------|----------|
| D. 257,423 | 10/1980 | Tiedemann | | D8/359 |
| D. 260,962 | 9/1981 | Hechler | | D8/359 |
| 4,061,290 | 12/1977 | Harrill | | D8/358 X |
| 4,200,249 | 4/1980 | Synsteliën et al. | | D8/358 X |
| 4,220,293 | 9/1980 | Gename | | D8/359 X |

Primary Examiner—A. Hugo Word
Attorney, Agent, or Firm—Wenderoth, Lind & Ponack

[57] **CLAIM**

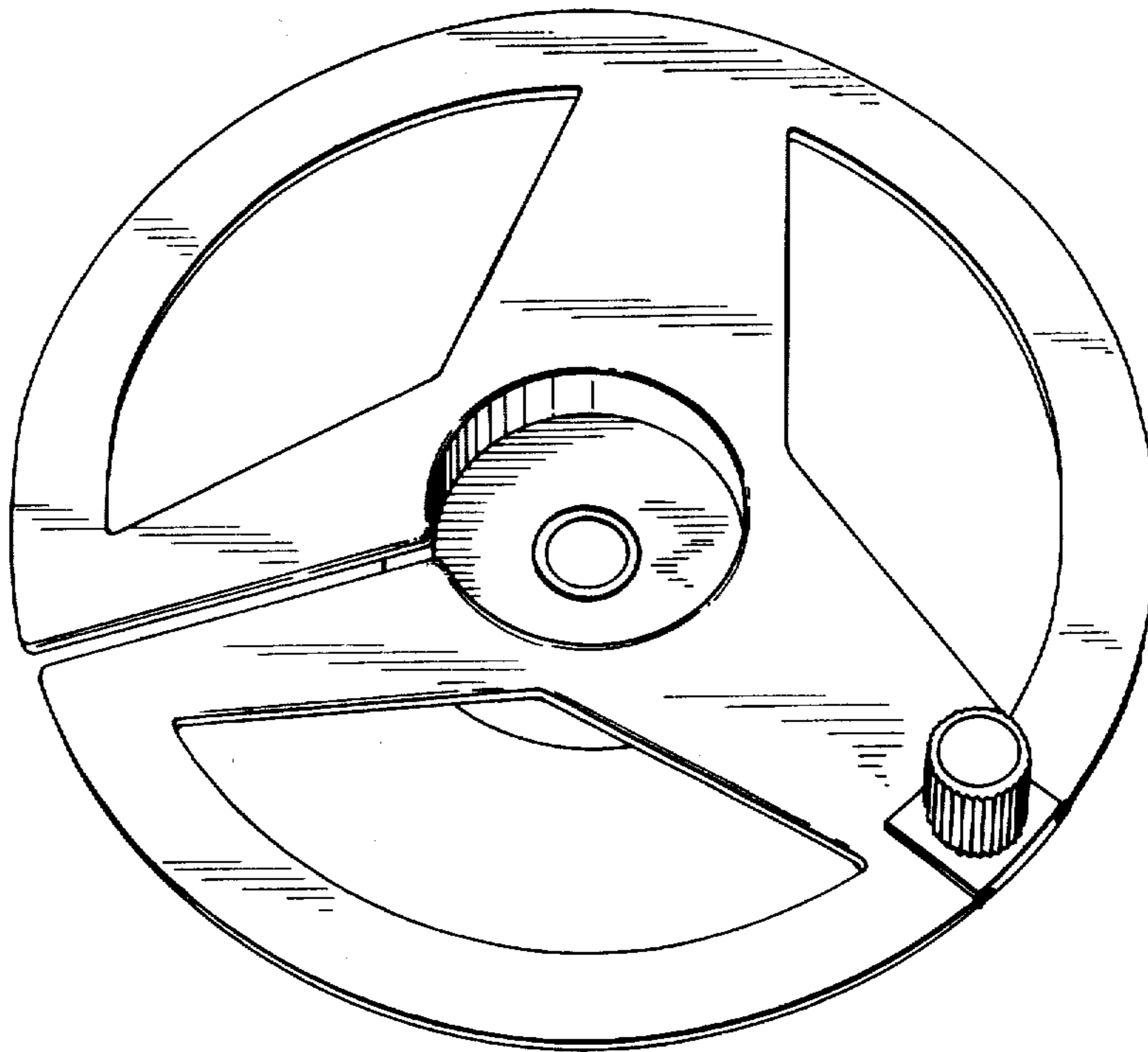
The ornamental design for a hose cassette reel, substantially as shown.

DESCRIPTION

FIG. 1 is a top perspective view of a hose cassette reel according to my new design;

FIG. 2 is a bottom perspective view thereof; and

FIG. 3 is a side elevation view thereof.



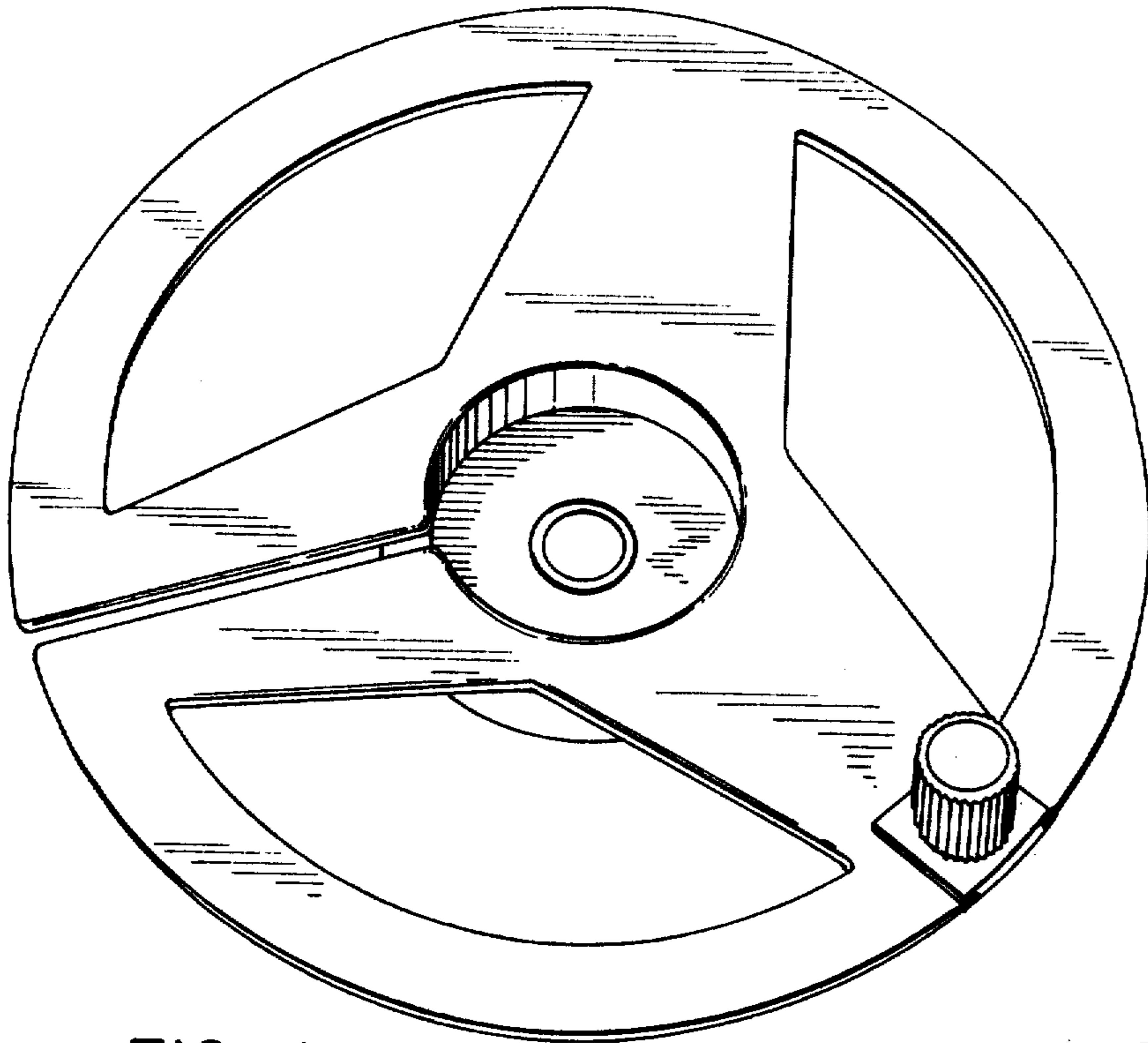


FIG. 1

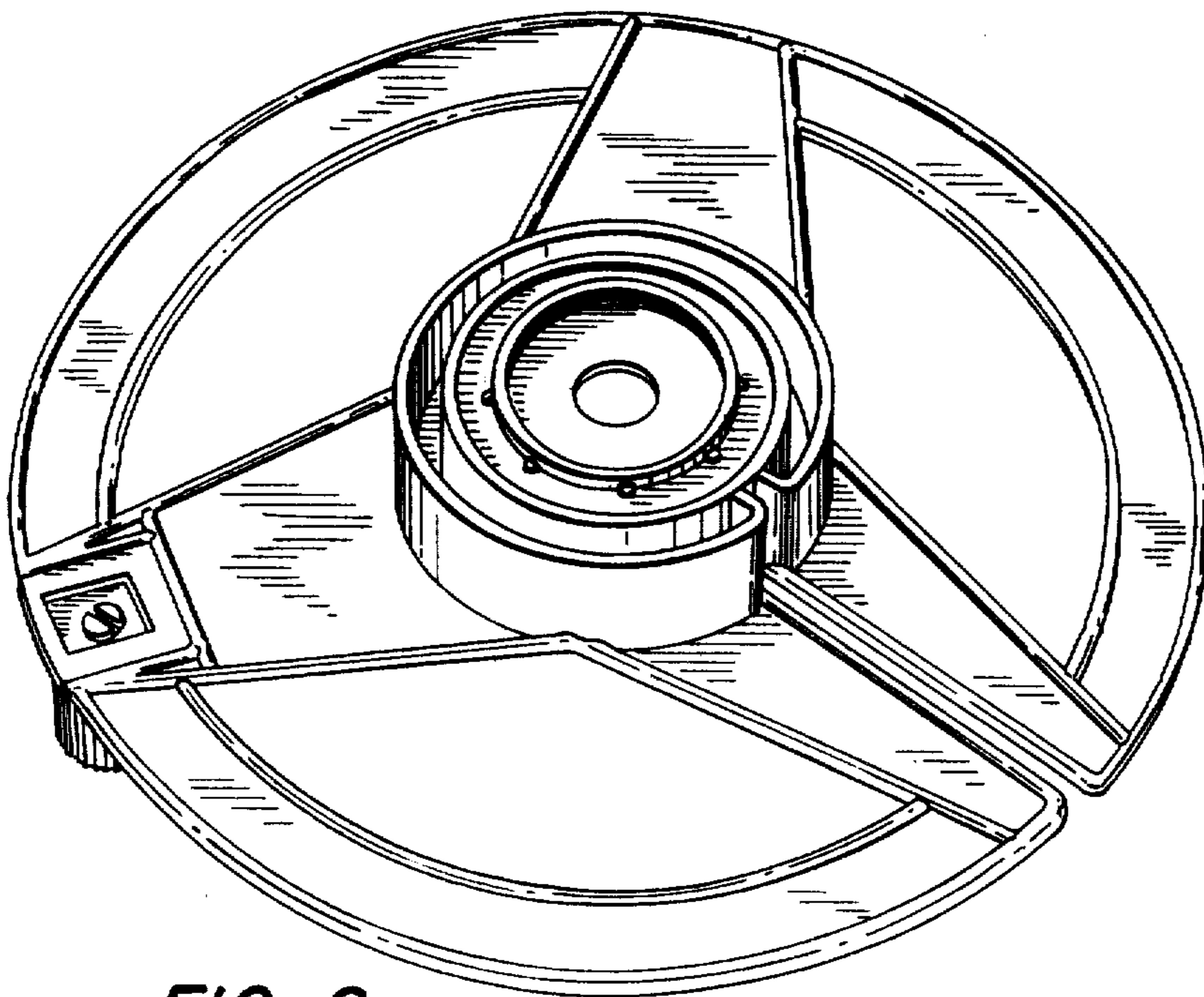


FIG. 2

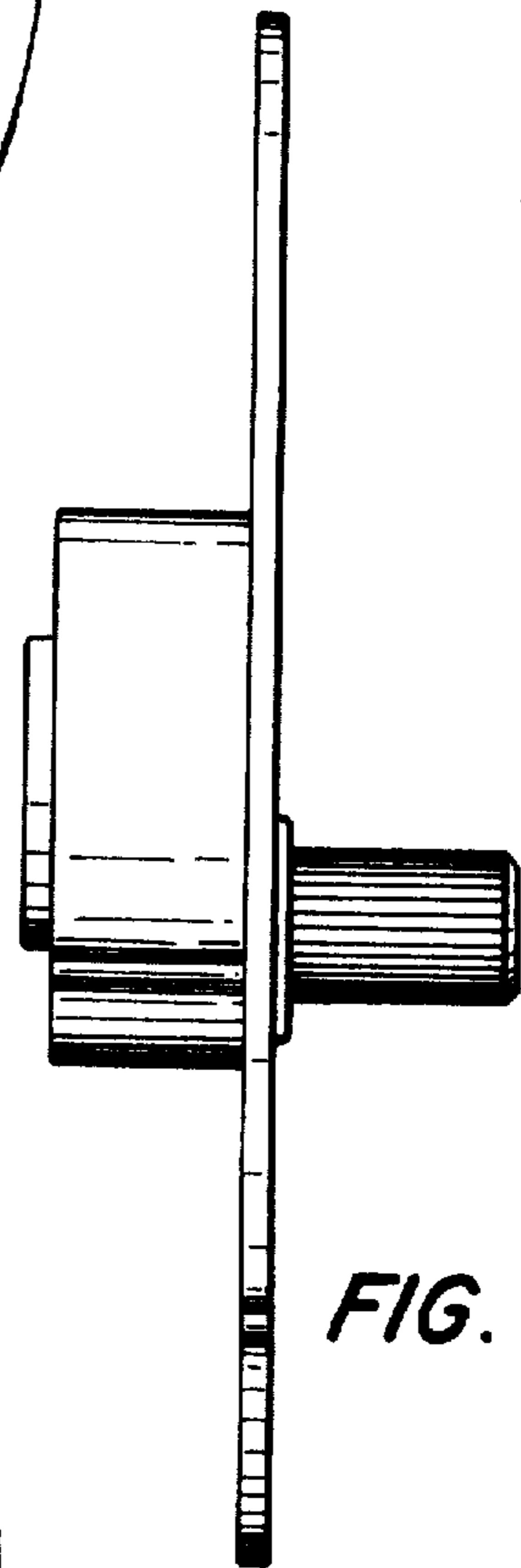


FIG. 3