

[54] AXE HEAD

[75] Inventor: George Hillinger, Los Angeles, Calif.

[73] Assignee: Alltrade, Inc., Montebello, Calif.

[**] Term: 14 Years

[21] Appl. No.: 260,033

[22] Filed: May 4, 1981

[51] Int. Cl. D8-03

[52] U.S. Cl. D8/76

[58] Field of Search D8/76; 145/2 R

[56] References Cited

PUBLICATIONS

Home Energy Digest & Wood Burning Quarterly, Winter 1978, p. 67, "Chopper 1", Ax on page.

Primary Examiner—Alan P. Douglas
Attorney, Agent, or Firm—Charles F. Schill

[57] CLAIM

The ornamental design for an axe head, as shown and described.

DESCRIPTION

FIG. 1 is an isometric view of an axe head showing my new design, the broken line disclosure of an axe handle being shown for illustrative purposes only; FIG. 2 is a left side elevational view thereof; FIG. 3 is a front elevational view thereof; FIG. 4 is a rear elevational view thereof; FIG. 5 is a bottom plan view thereof; FIG. 6 is a top plan view thereof; and FIG. 7 is a right side elevational view thereof.

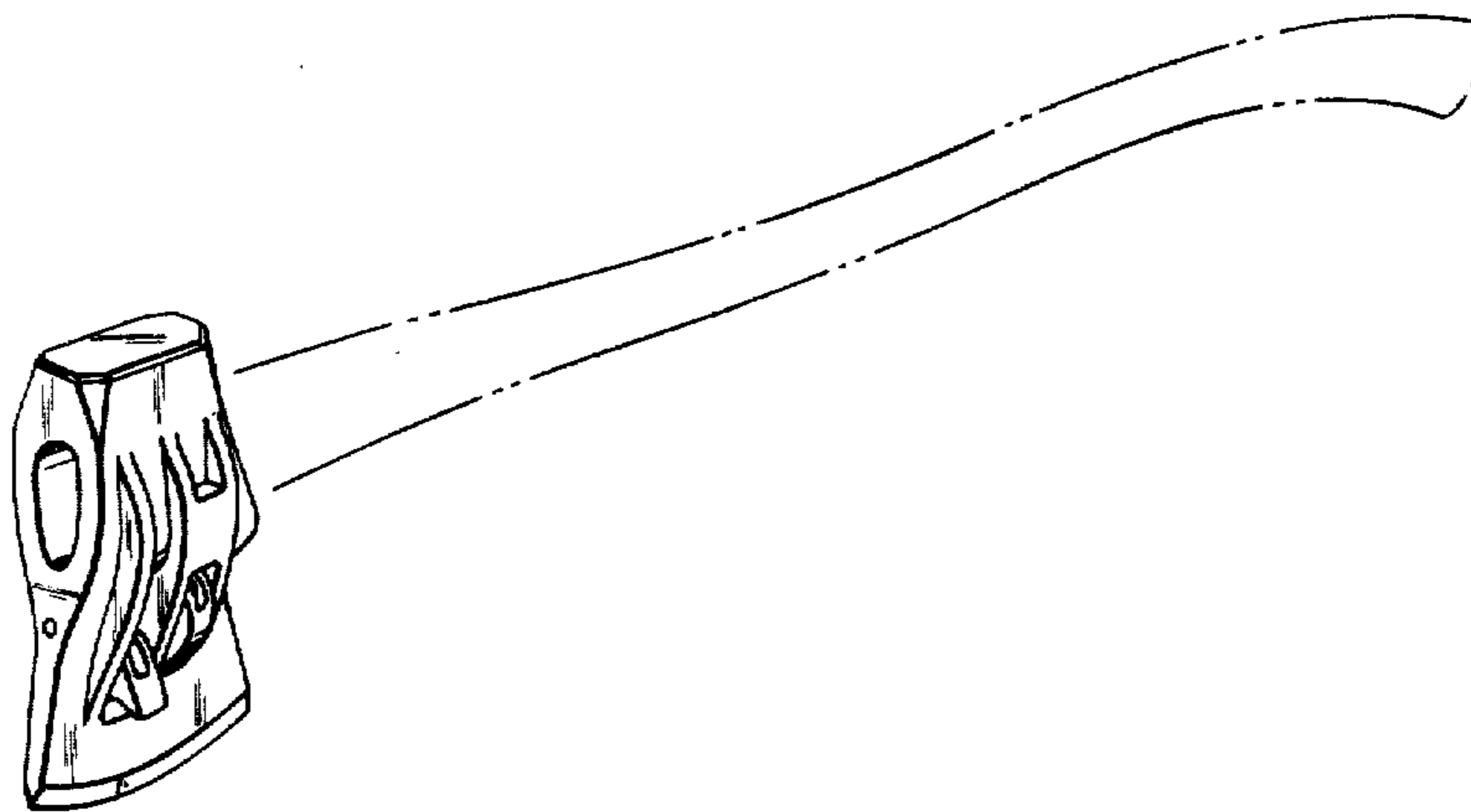


Fig. 1

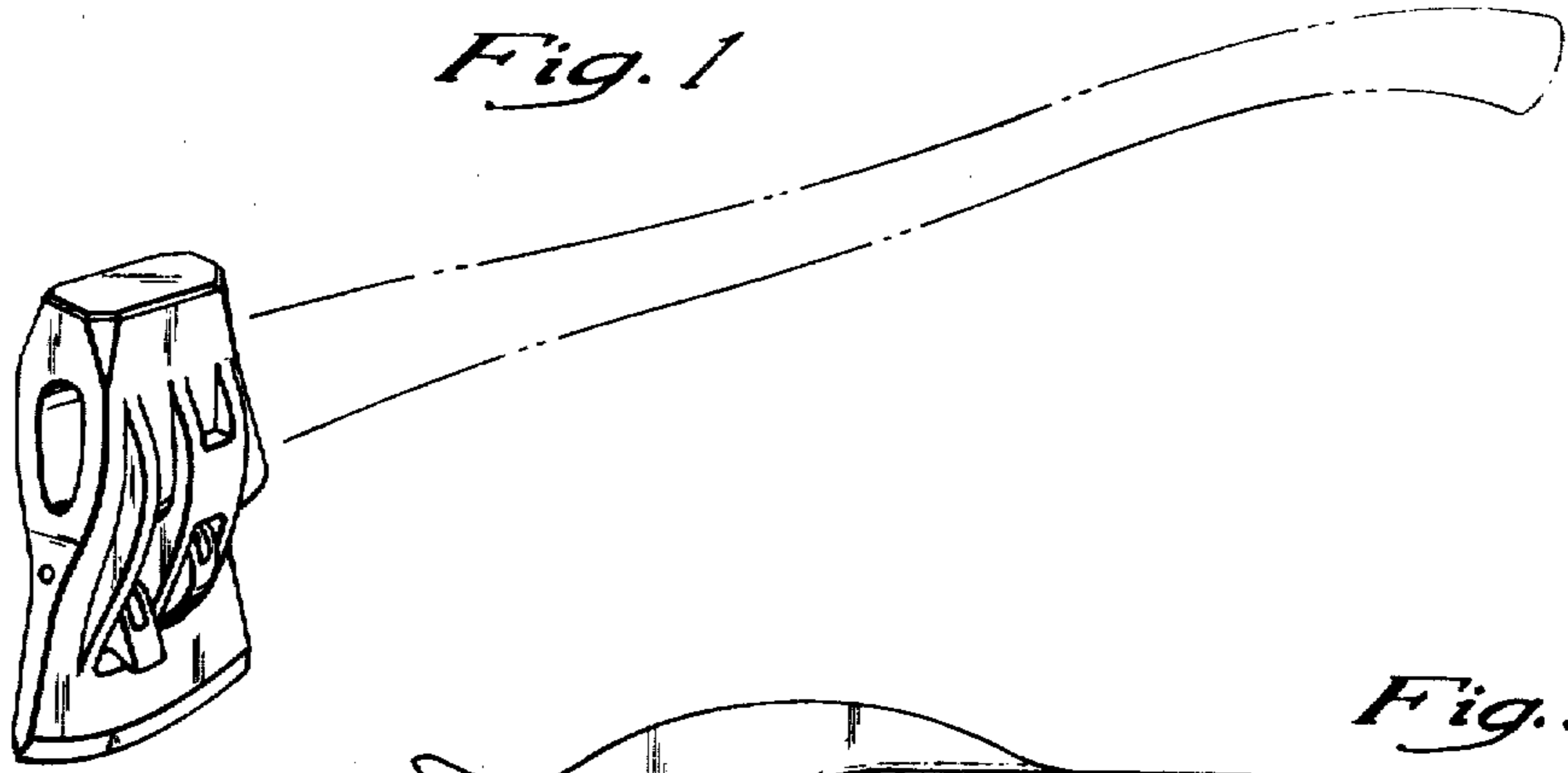


Fig. 3

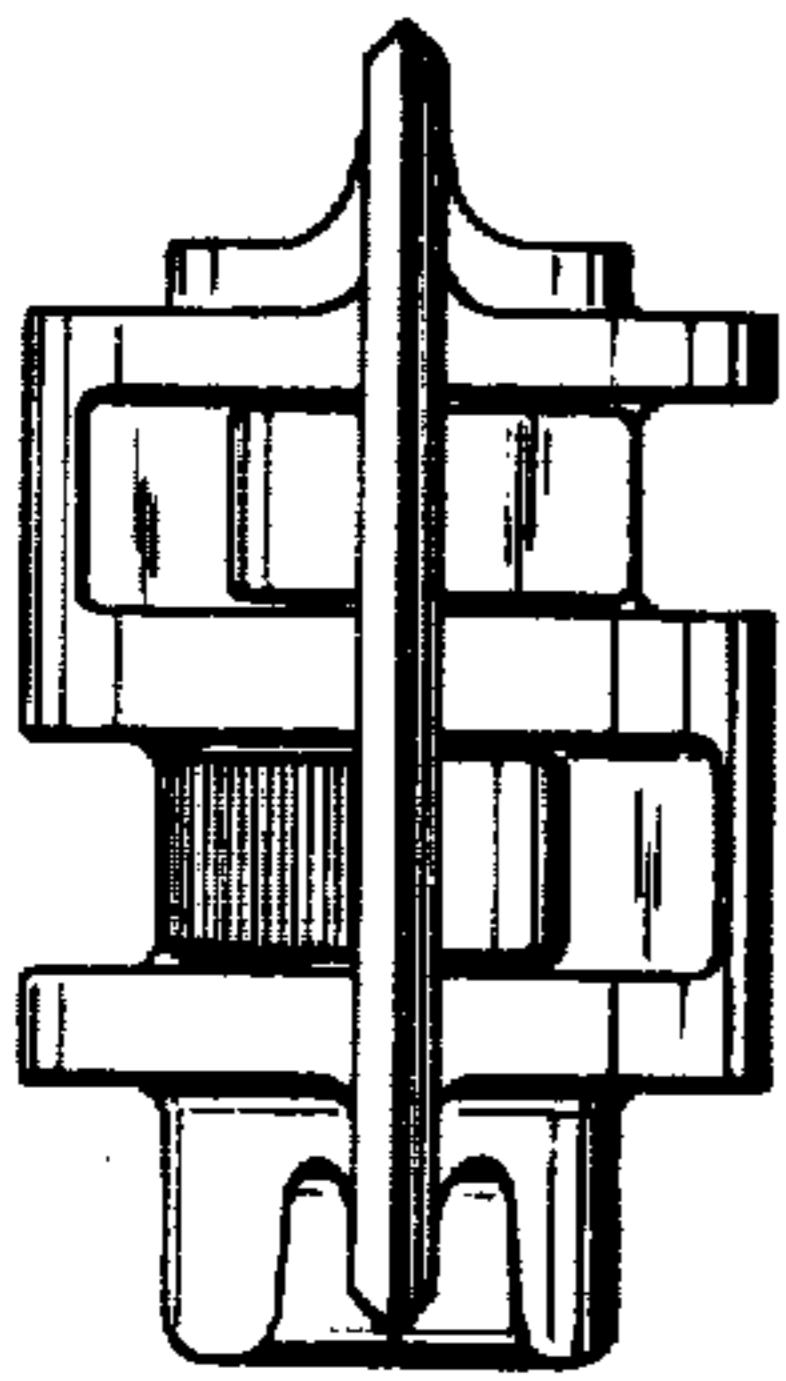
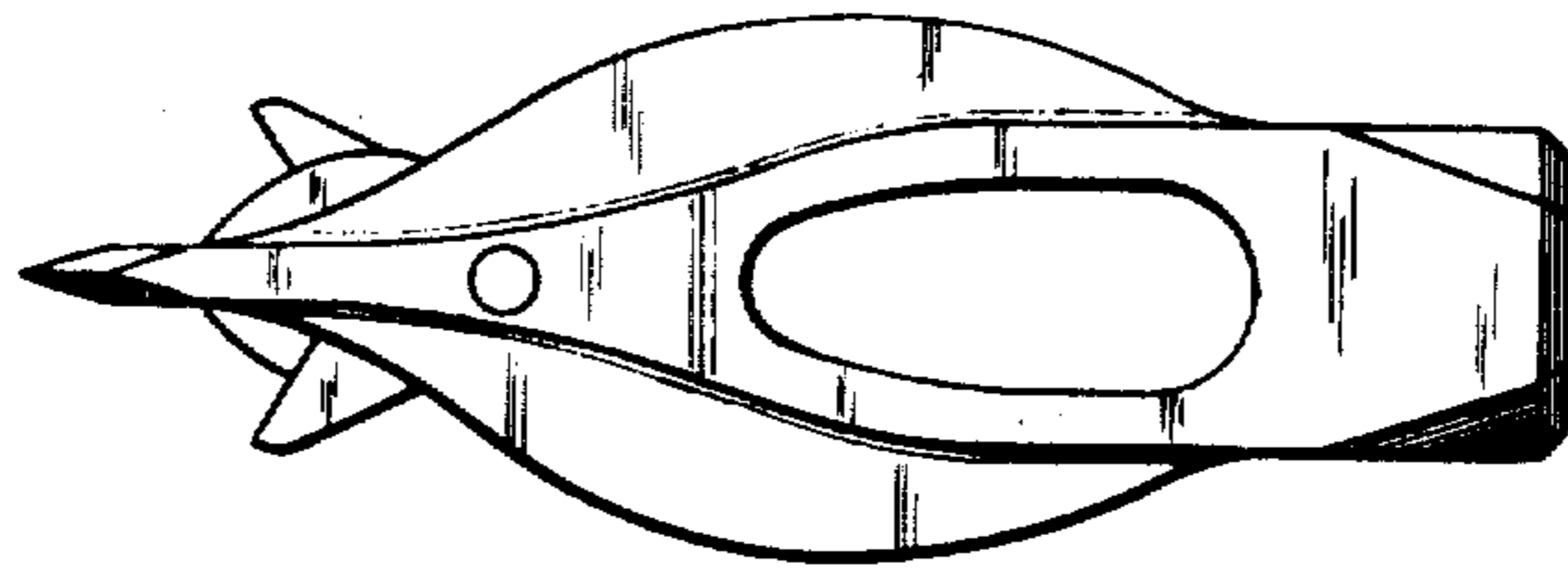


Fig. 5

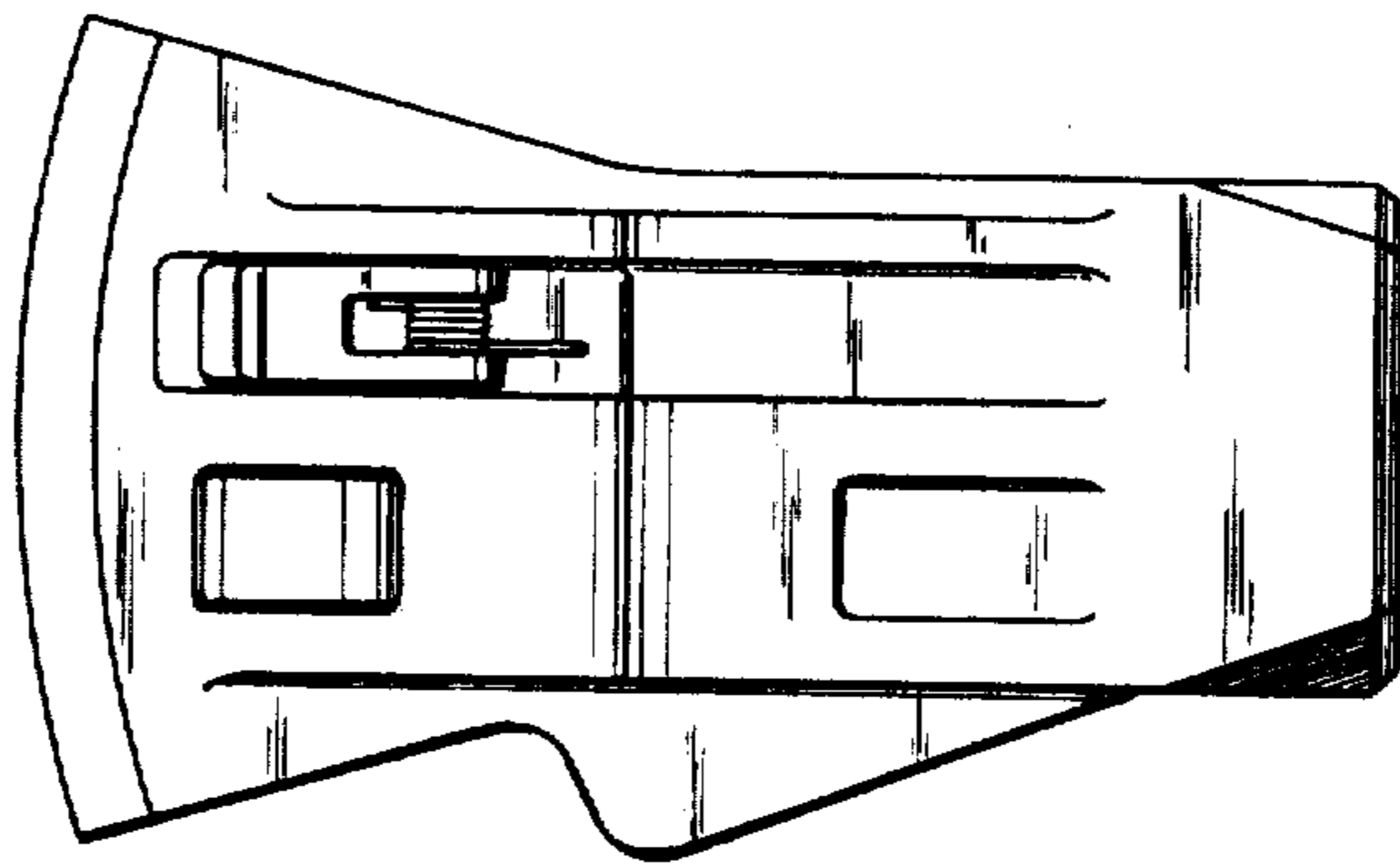


Fig. 2

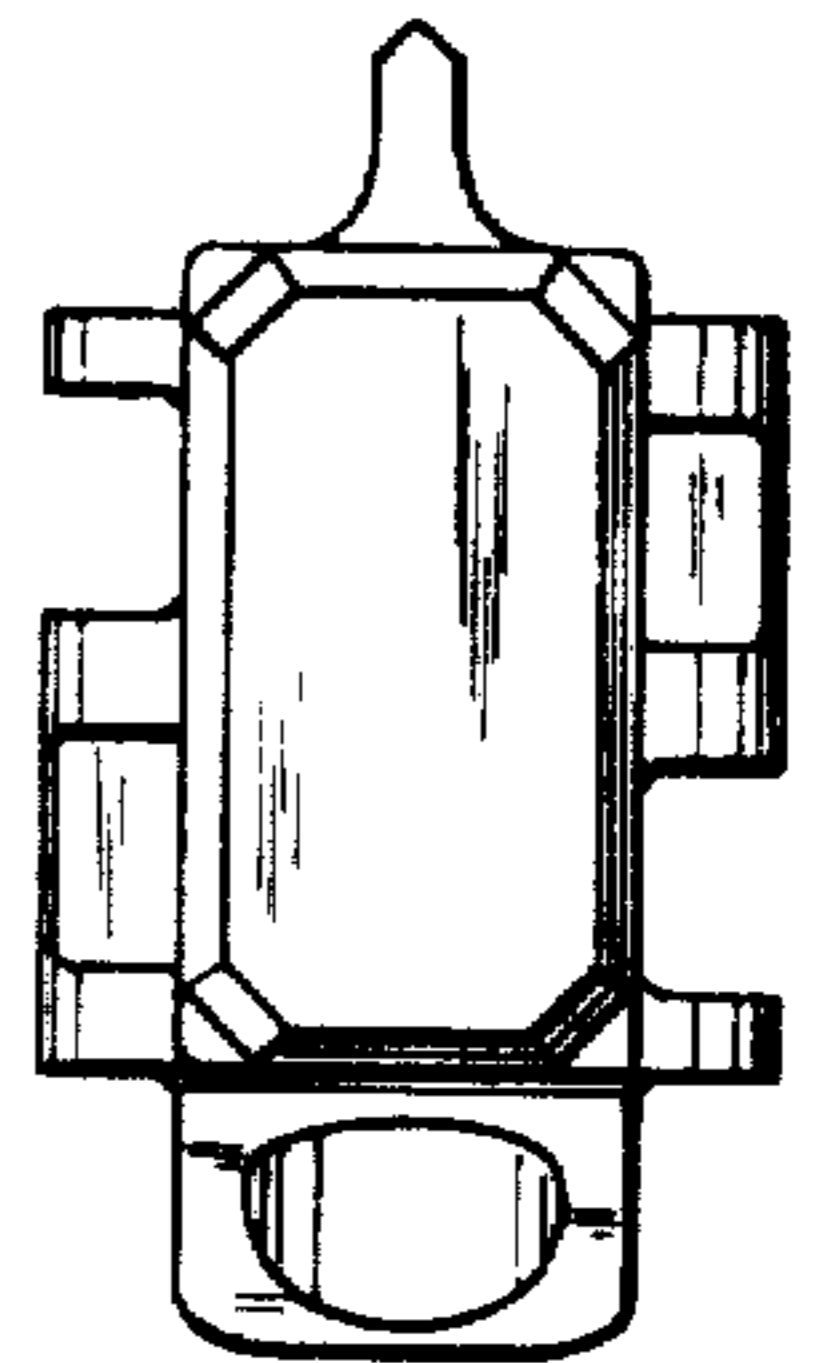


Fig. 6

Fig. 4

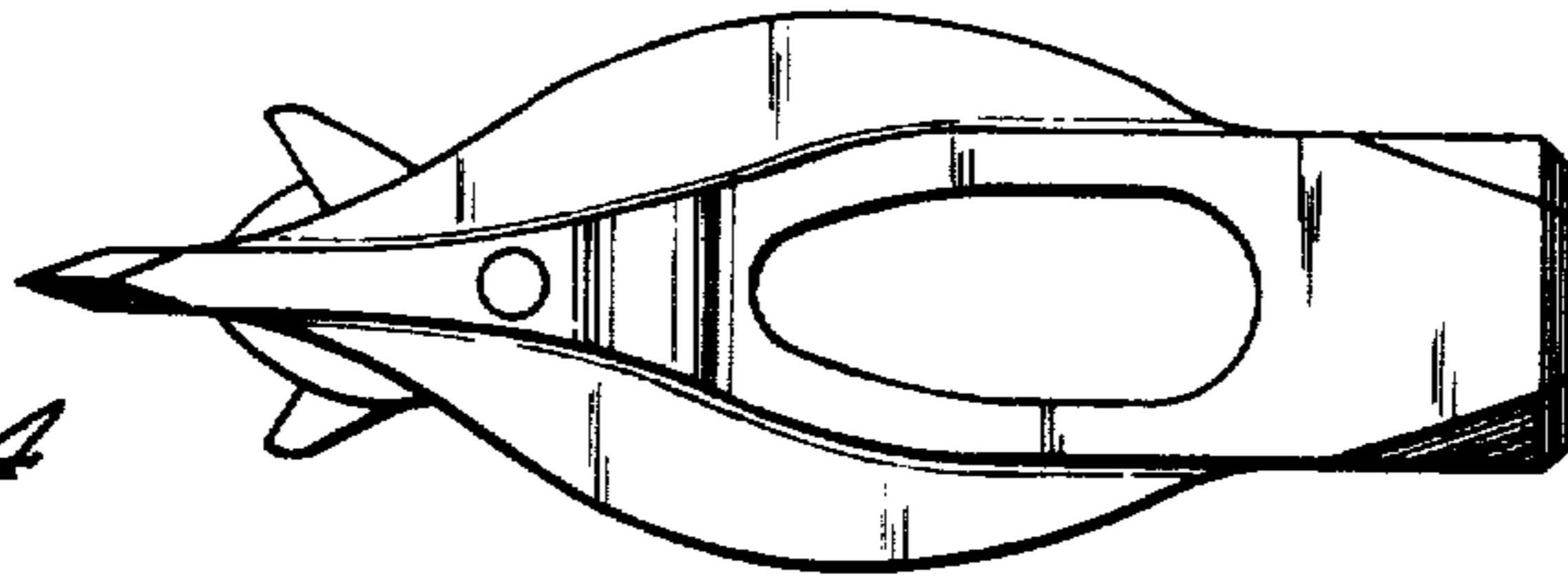


Fig. 7

