

[54] CUP HOLDER

[76] Inventor: Stanley R. Field, 2459 W. 256th St., Lomita, Calif. 90717

[**] Term: 14 Years

[21] Appl. No.: 279,869

[22] Filed: Jul. 2, 1981

[51] Int. Cl. D07-99

[52] U.S. Cl. D7/70

[58] Field of Search D7/70; 248/311.2; 211/81

[56] References Cited

U.S. PATENT DOCUMENTS

- D. 226,623 4/1973 Shuford D7/70
- D. 253,629 12/1979 Sage D7/70
- D. 265,351 7/1982 Wooters D7/70 X

- 2,926,879 3/1960 Dietrich D7/70 X
- 3,239,181 3/1966 Ellerbrock D7/70 X
- 3,840,204 10/1974 Thomas et al. 211/81 X

Primary Examiner—Winifred E. Herrmann
Attorney, Agent, or Firm—Singer & Singer

[57] CLAIM

The ornamental design for a cup holder, substantially as shown and described.

DESCRIPTION

FIG. 1 is a top front perspective view of a cup holder showing my new design;
 FIG. 2 is a front elevational view thereof;
 FIG. 3 is a top plan view thereof;
 FIG. 4 is a right side elevational view thereof, the left side being the same as that shown;
 FIG. 5 is a bottom plan view thereof; and
 FIG. 6 is a rear elevational view thereof.

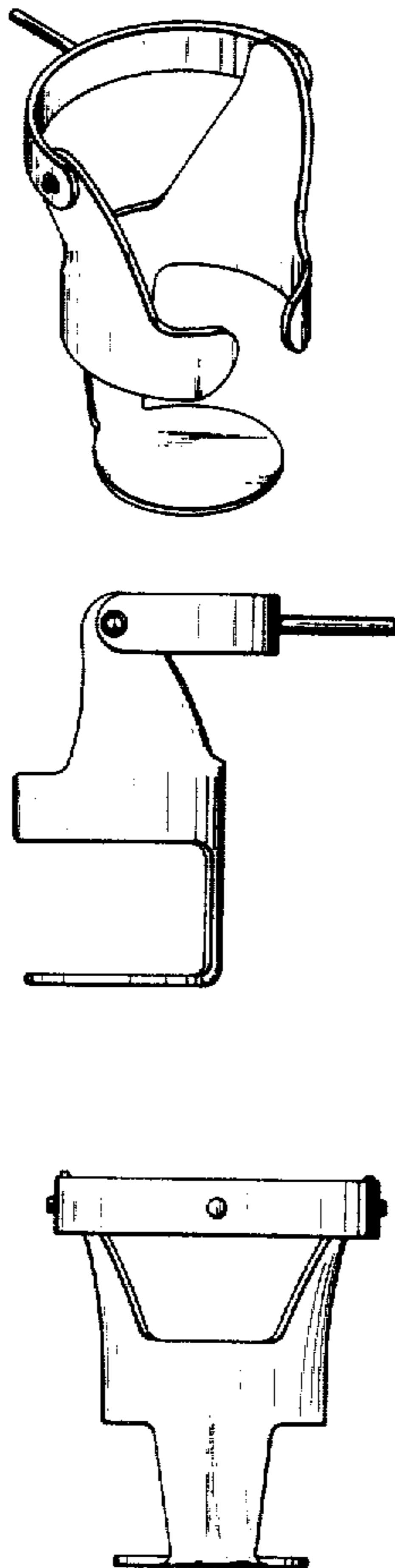


Fig. 2.

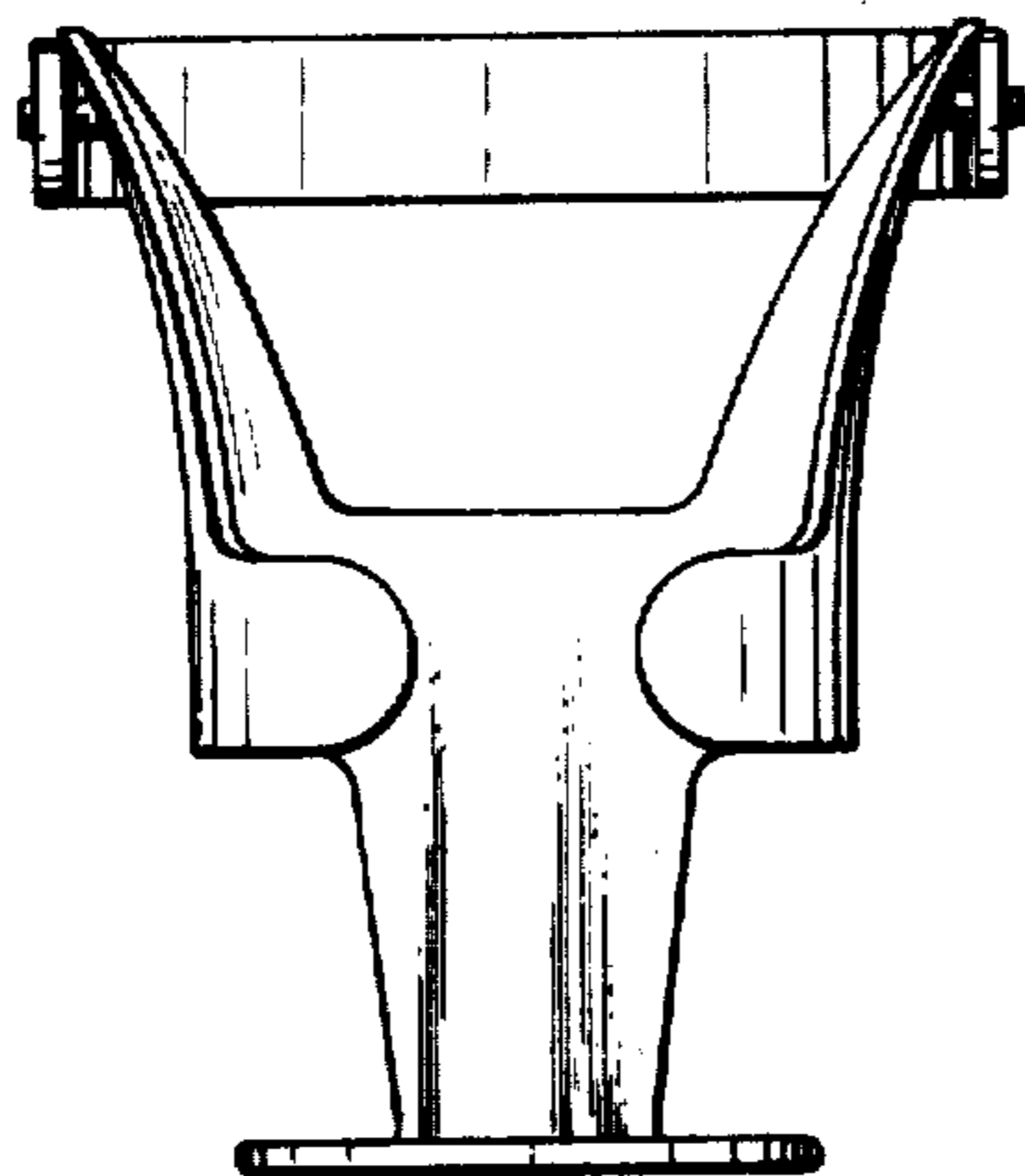


Fig. 1.

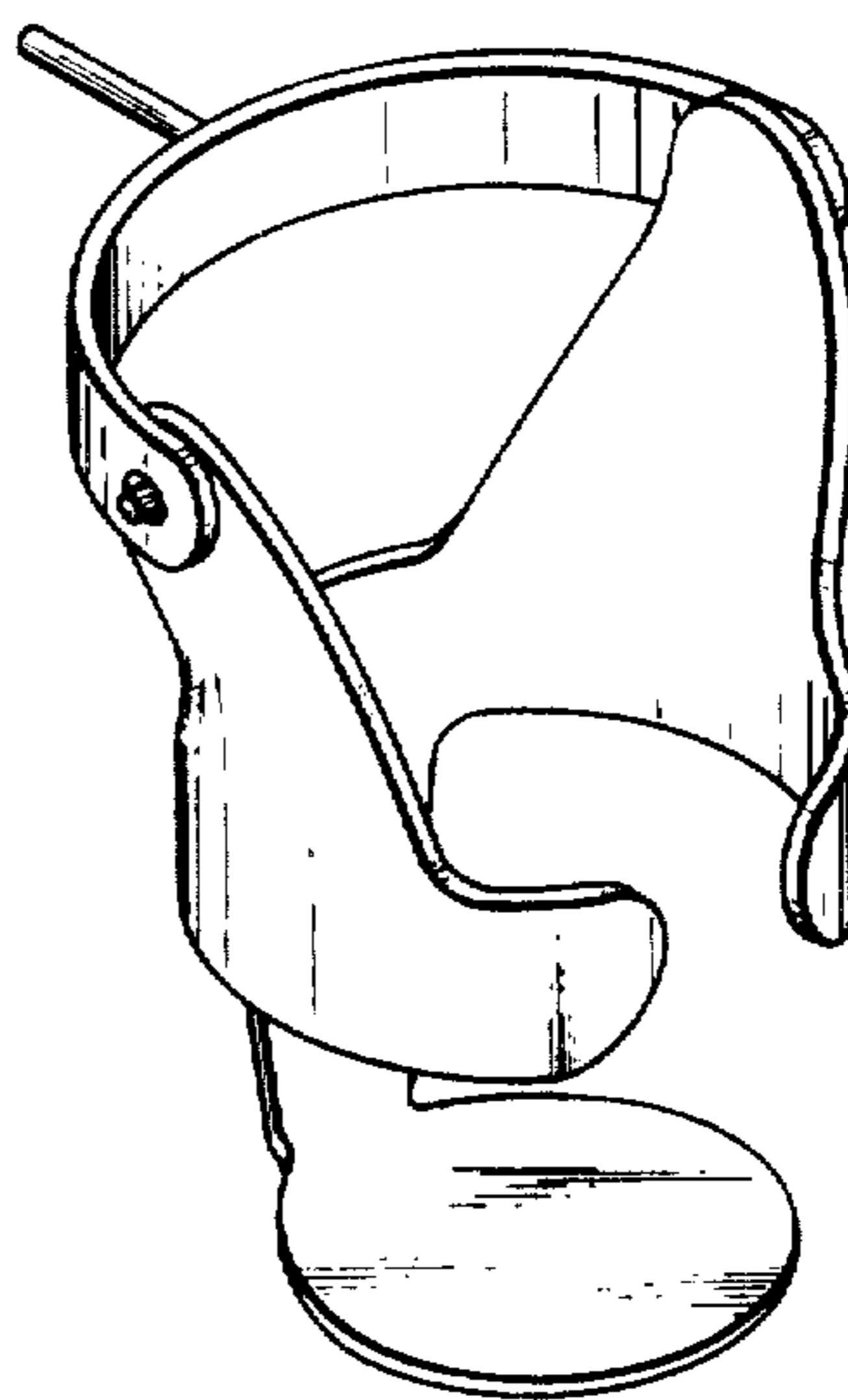


Fig. 3.

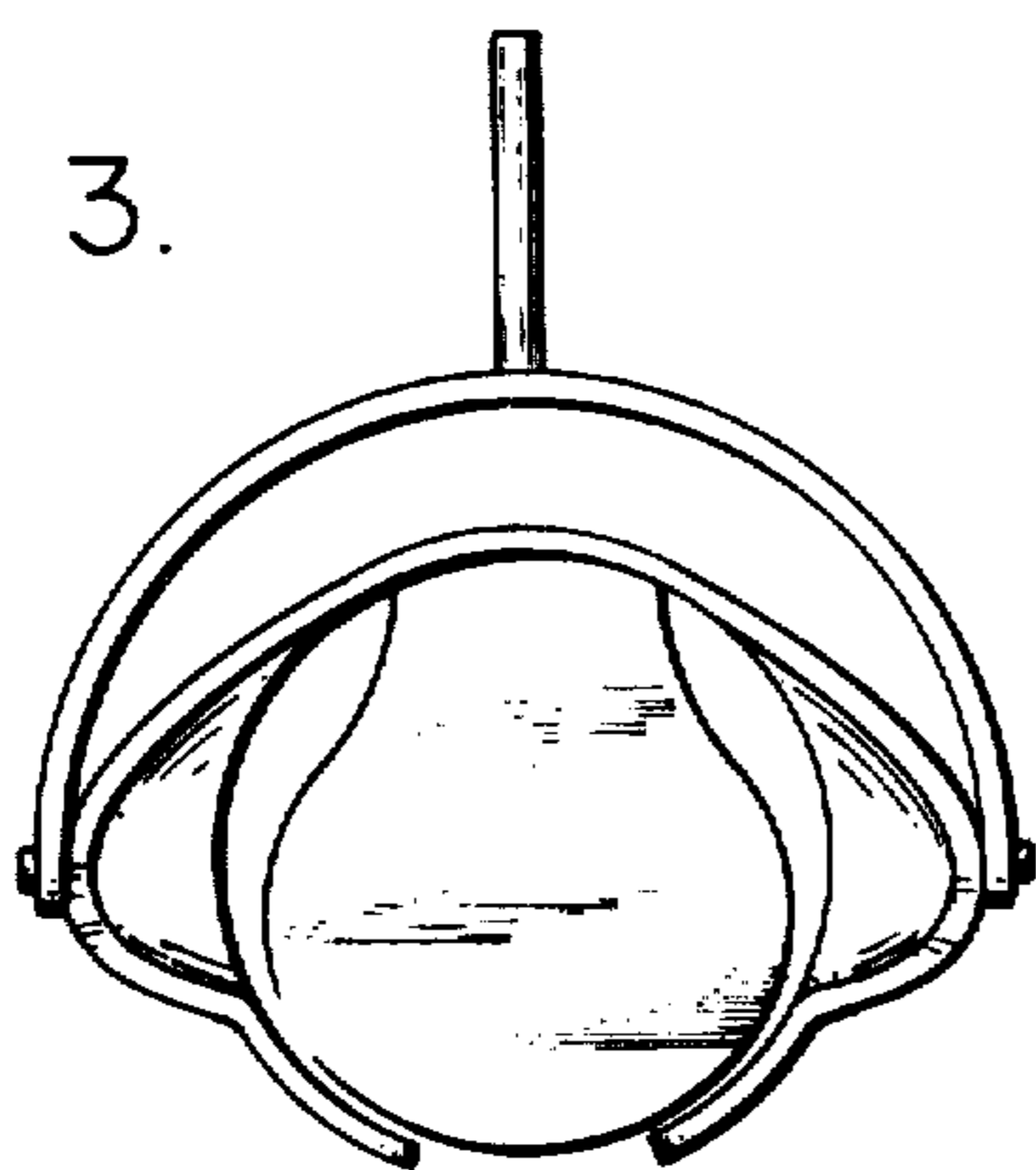


Fig. 4.

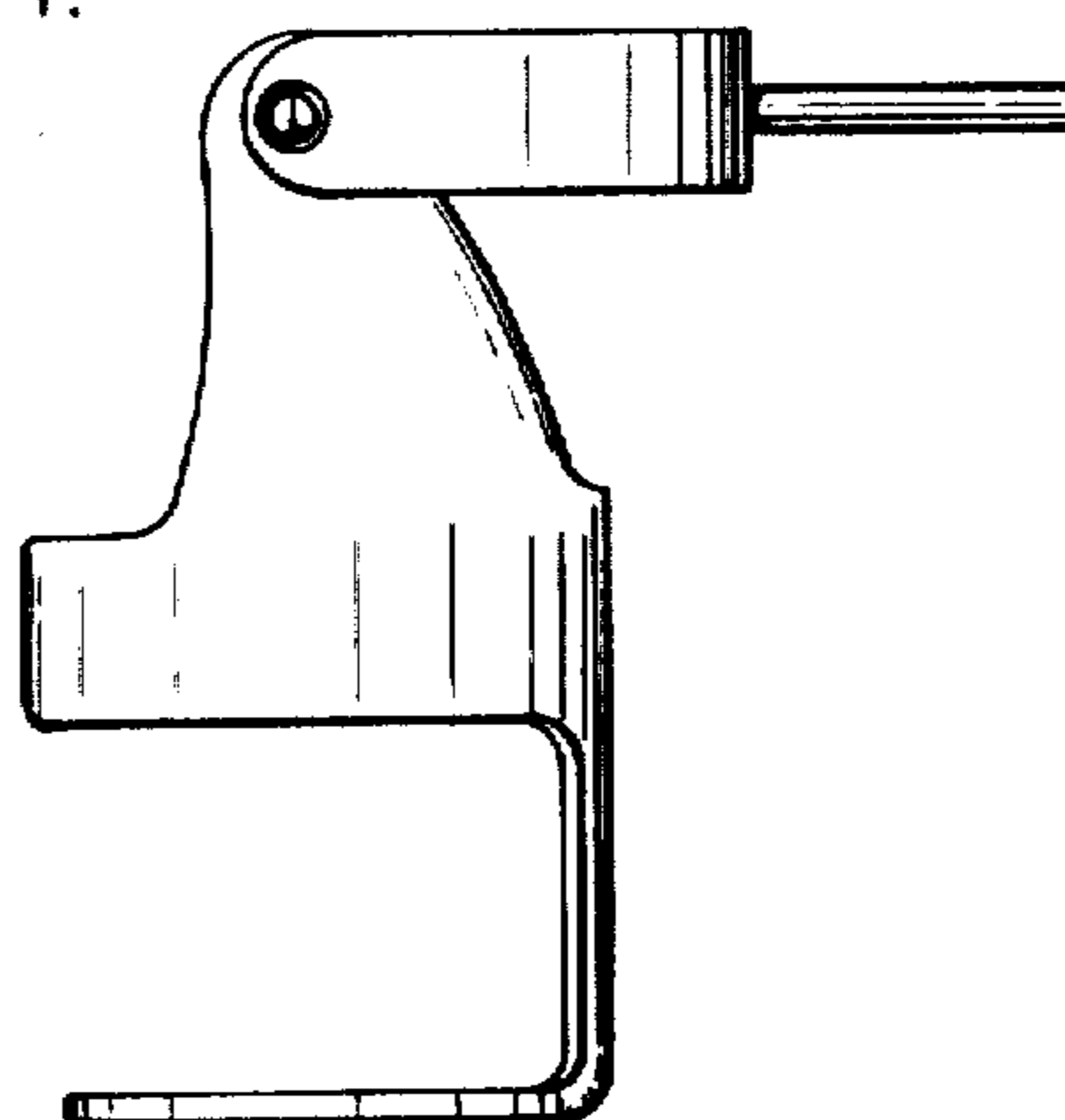


Fig. 5.

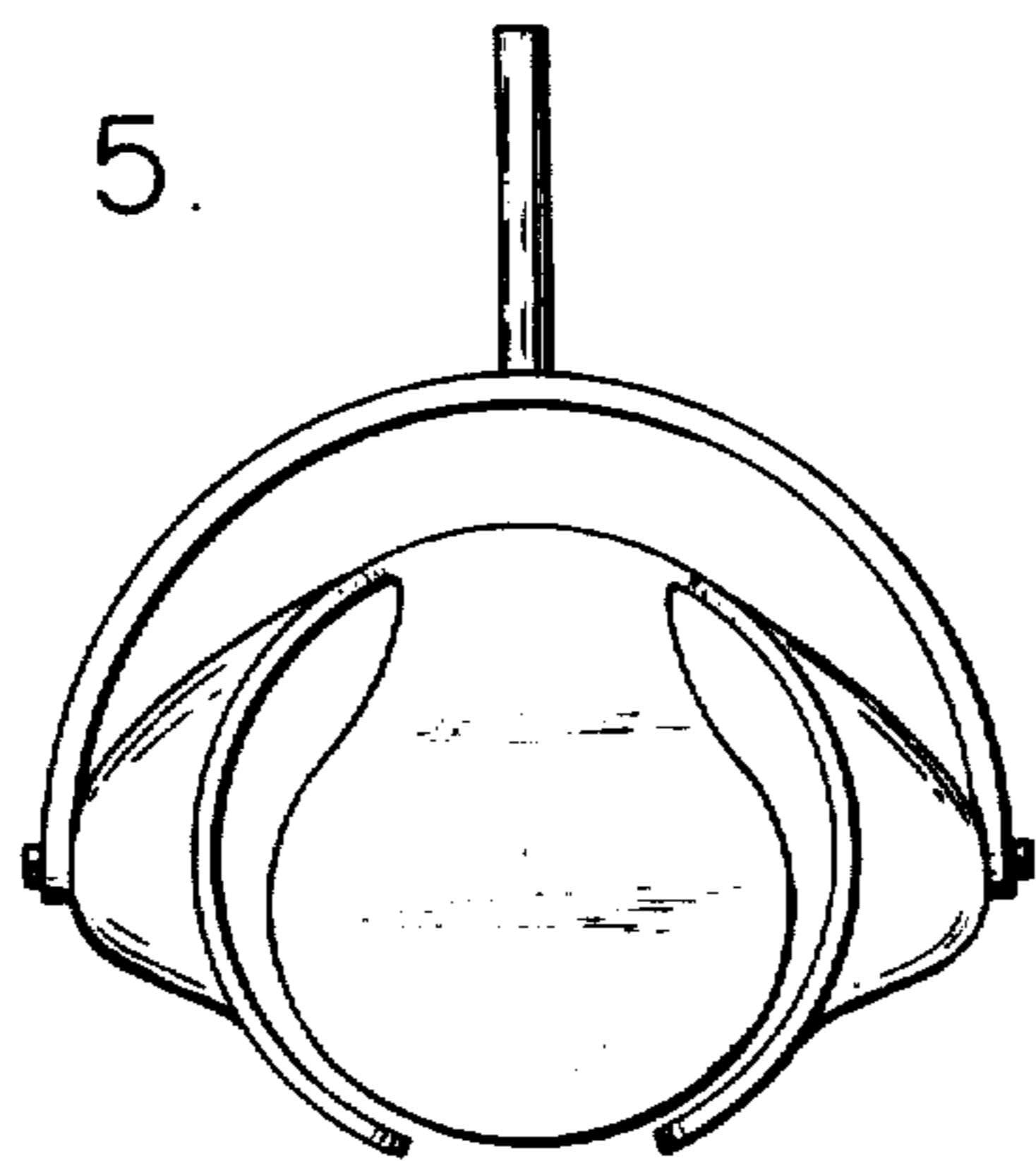


Fig. 6.

