

[54] BAG HOLDER OR THE LIKE

[75] Inventor: Randolph D. Prader, Fairport, N.Y.

[73] Assignee: Mobil Oil Corporation, New York, N.Y.

[**] Term: 14 Years

[21] Appl. No.: 259,220

[22] Filed: Apr. 30, 1981

[51] Int. Cl. D6-06

[52] U.S. Cl. D6/114

[58] Field of Search 248/95, 99, 100, 101; 53/390; 211/181; D6/114; D34/5, 6

[56] References Cited

U.S. PATENT DOCUMENTS

- D. 142,286 8/1945 Mayer .
- D. 245,134 7/1977 Friedberg D6/113
- D. 250,500 12/1978 Marks D6/114
- D. 251,944 5/1979 Chasen D6/114
- 461,291 10/1891 Timmerman .
- 1,351,094 8/1920 Buckel .
- 1,653,393 8/1927 Cox .
- 2,261,511 11/1941 Baker et al. .

- 2,941,673 6/1960 Lomas .
- 3,176,950 9/1963 Hittesdorf .
- 3,200,435 8/1965 Hemmeter et al. .
- 3,658,284 4/1972 Haasl .
- 3,747,298 7/1973 Lieberman 248/100 X
- 3,838,839 10/1974 Spencer 248/99
- 3,905,406 9/1975 Cruse 248/95
- 3,973,376 8/1976 Suominen 53/385
- 4,062,170 12/1977 Orem 53/390
- 4,071,216 1/1978 Einhorn 248/290
- 4,175,602 11/1979 Cavalaris et al. 150/3
- 4,196,880 4/1980 Hynes 248/95
- 4,332,361 6/1982 McClellan 248/95

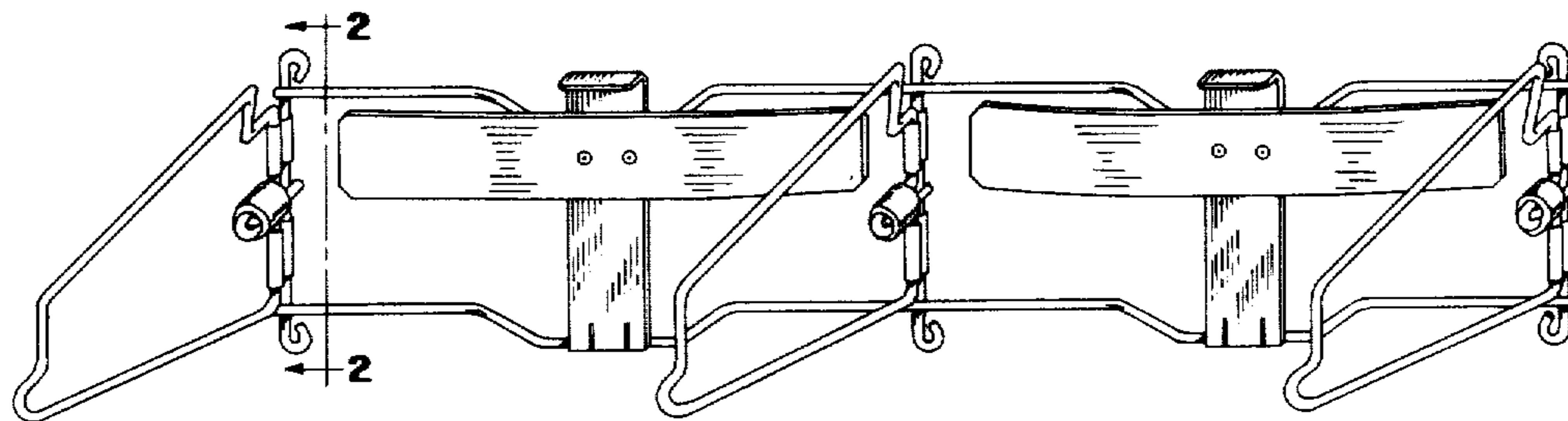
Primary Examiner—Catherine E. Kemper
 Attorney, Agent, or Firm—A. J. McKillop; M. G. Gilman; J. F. Powers, Jr.

[57] CLAIM

The ornamental design for a bag holder or the like, substantially as shown.

DESCRIPTION

FIG. 1 is a perspective view of a bag holder showing my new design;
 FIG. 2 is a vertical cross-section view taken along line 2—2 of FIG. 1 showing one end thereof; and
 FIG. 3 is a top view thereof.



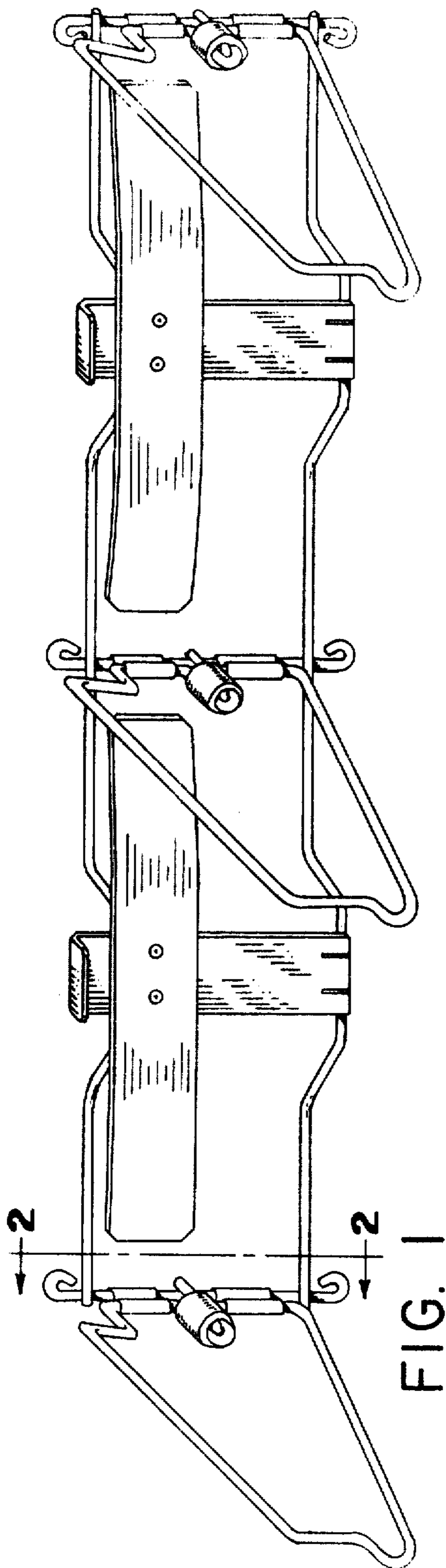


FIG. 1

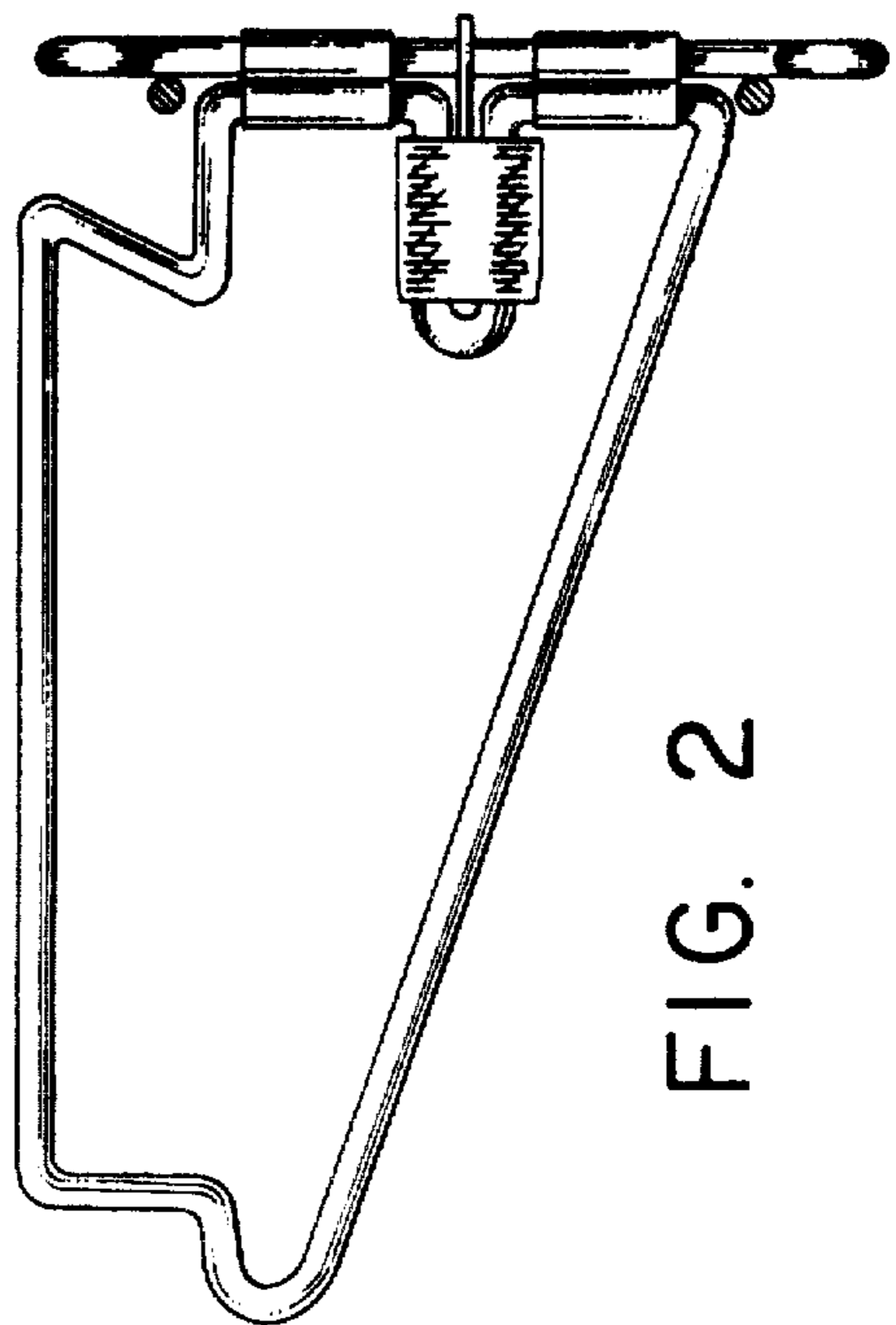


FIG. 2

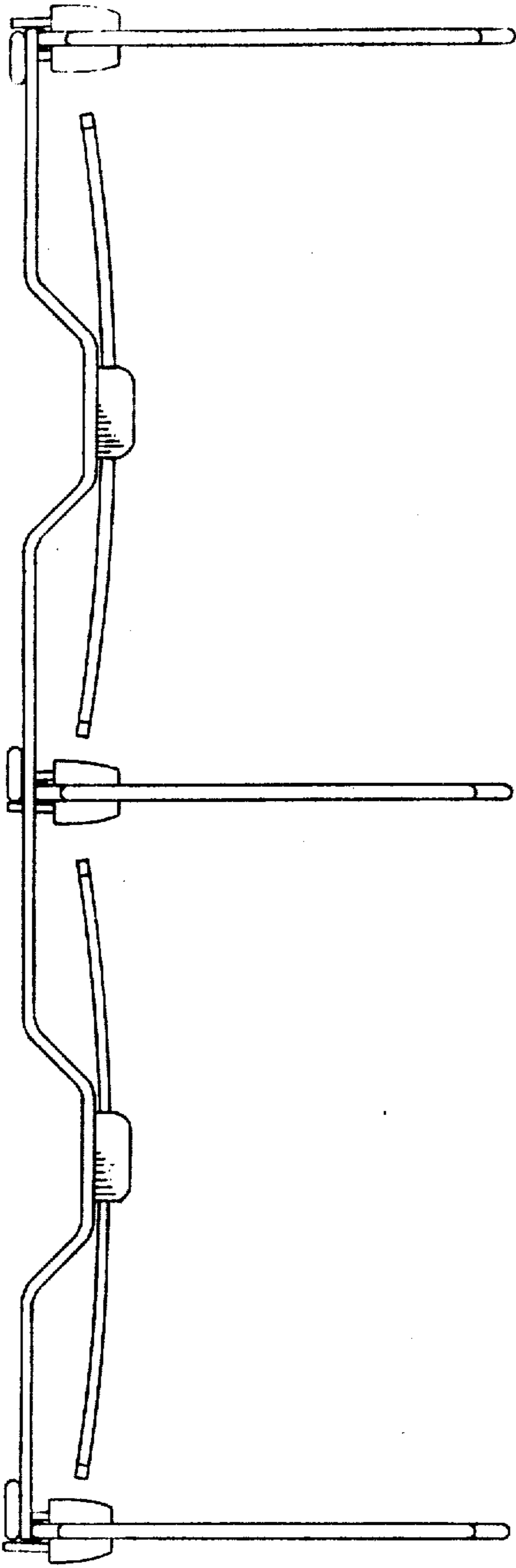


FIG. 3