

[54] **CASE FOR A MAGNETIC TAPE**

[75] Inventor: **Hideo Shirako, Hachioji, Japan**

[73] Assignee: **Olympus Optical Co., Ltd., Tokyo, Japan**

[**] Term: **14 Years**

[21] Appl. No.: **301,237**

[22] Filed: **Sep. 11, 1981**

[30] **Foreign Application Priority Data**
 Jun. 16, 1981 [JP] Japan 56-25916

[51] Int. Cl. **D3-02**

[52] U.S. Cl. **D3/35; D3/78**

[58] Field of Search **D3/33, 35, 78; 312/319, 312/12; 220/23.2, 23.4; 206/387; D19/92**

D. 262,415 12/1981 Gelardi et al. D3/35
 4,026,615 5/1977 Tazaki et al. 312/12
 4,243,279 1/1981 Ackeret 312/12

Primary Examiner—George P. Word
Attorney, Agent, or Firm—Frishauf, Holtz, Goodman & Woodward

[57] **CLAIM**

The ornamental design for a case for a magnetic tape, substantially as shown and described.

DESCRIPTION

FIG. 1 is a perspective view of a case for a magnetic tape showing my new design;
 FIG. 2 is a front elevational view thereof;
 FIG. 3 is a right side elevational view thereof;
 FIG. 4 is a rear elevational view thereof;
 FIG. 5 is a left side elevational view thereof;
 FIG. 6 is a top plan view thereof;
 FIG. 7 is a bottom plan view thereof; and
 FIG. 8 is a perspective view thereof with the case cover opened.

[56] **References Cited**
U.S. PATENT DOCUMENTS
 D. 233,916 12/1974 Van Wyngarden et al. D3/35

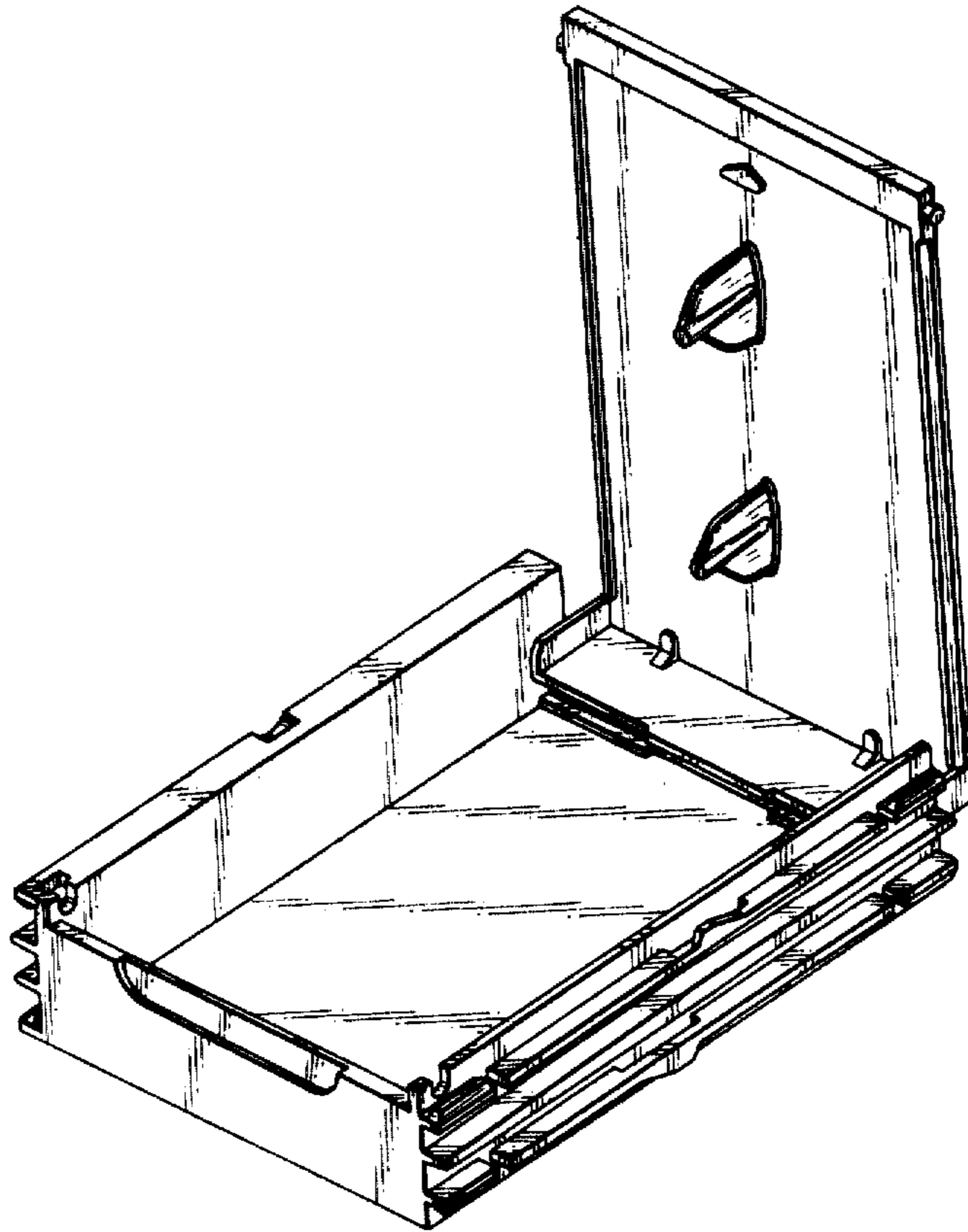


FIG. 1

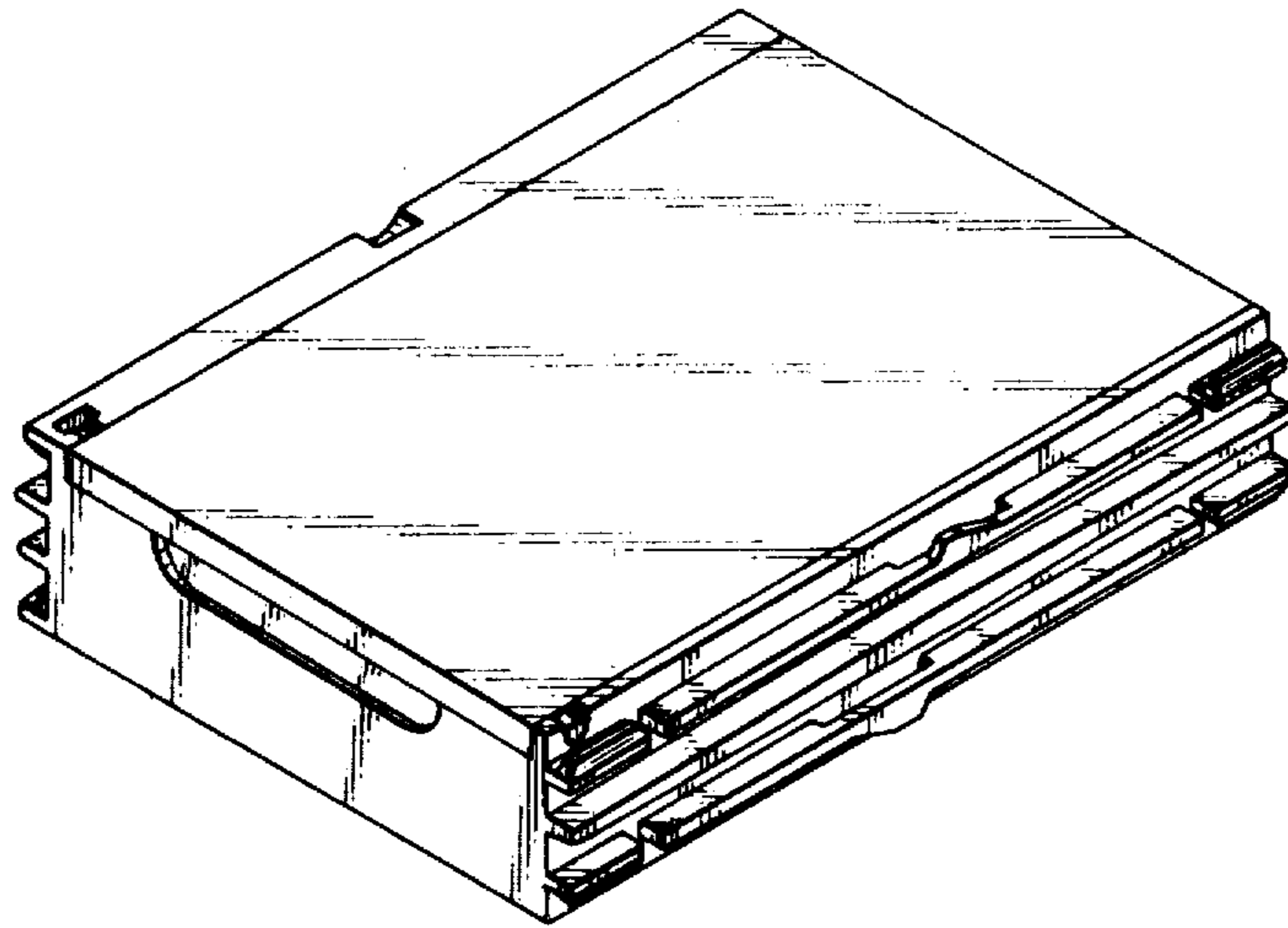


FIG. 2

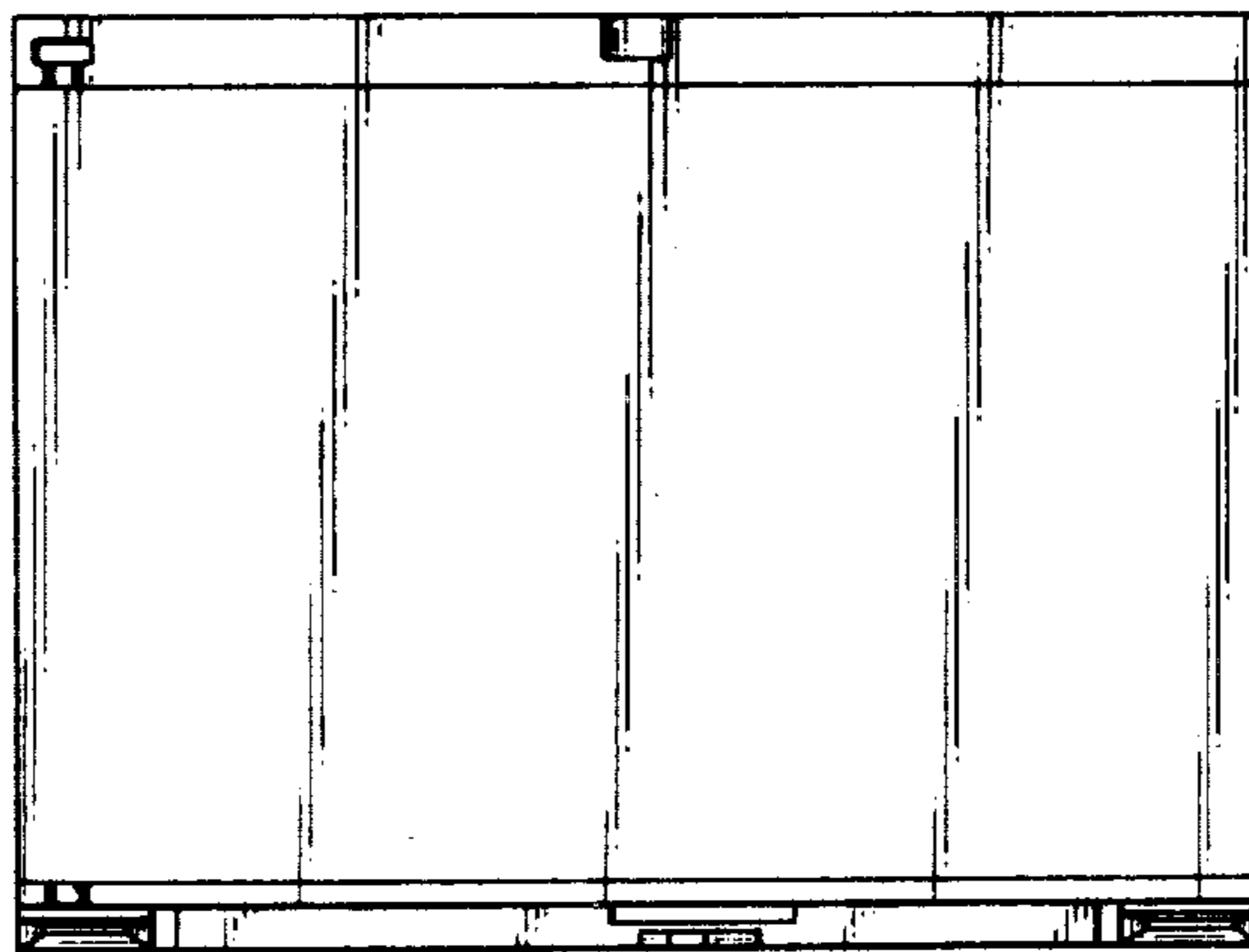


FIG. 3

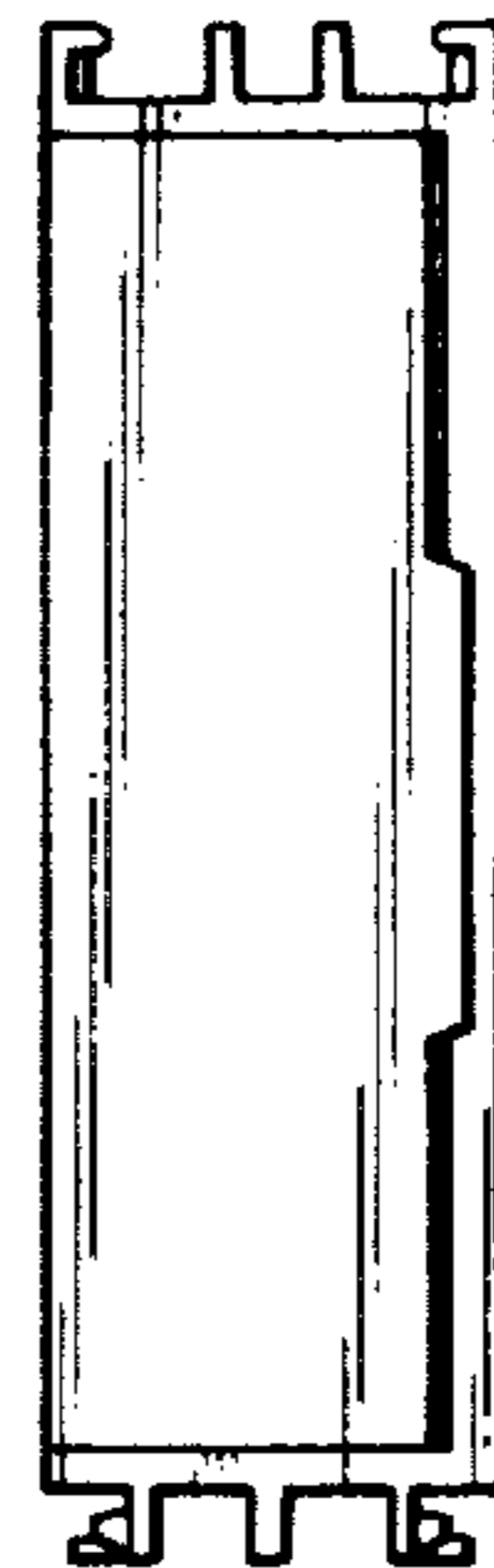


FIG. 8

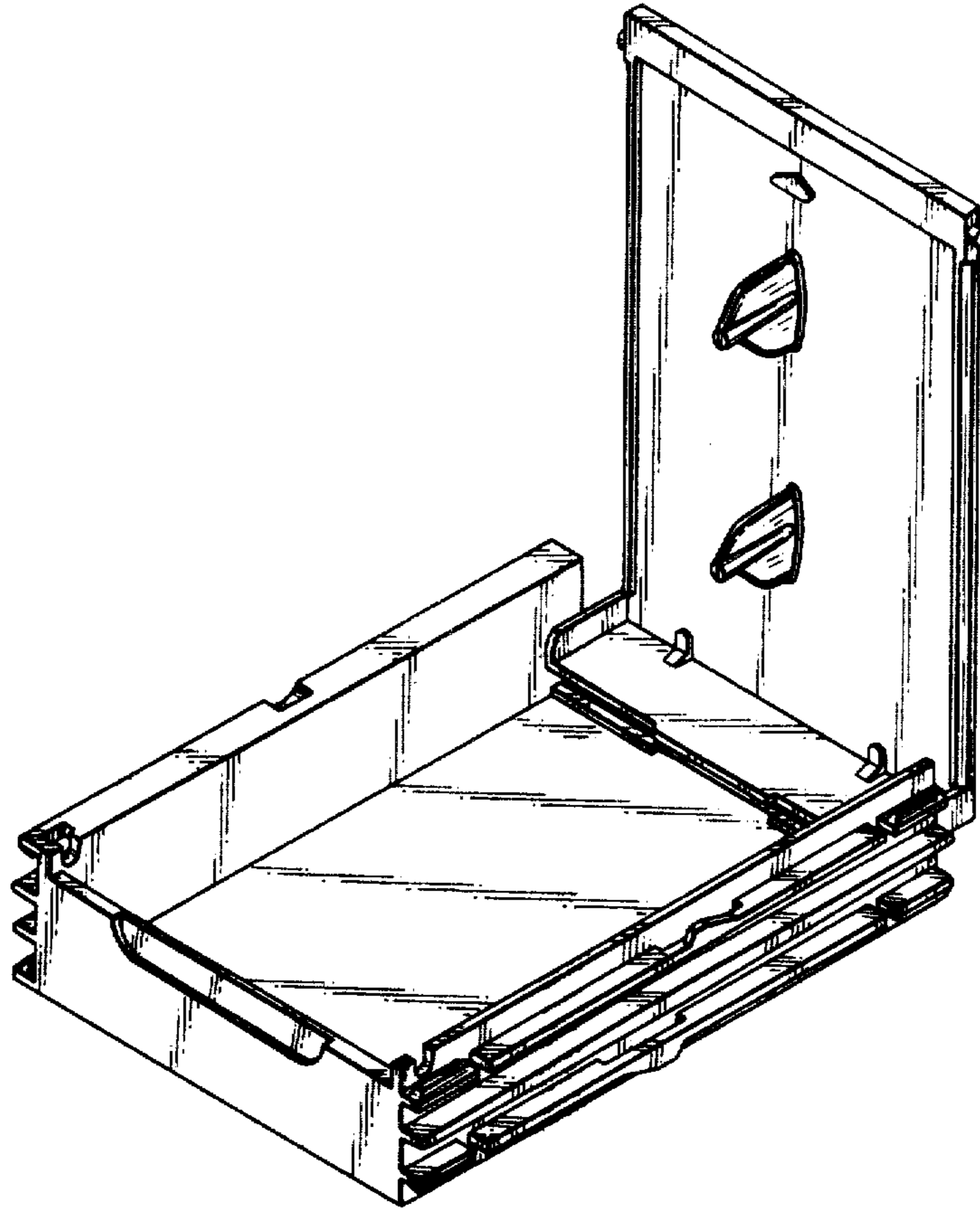


FIG. 4

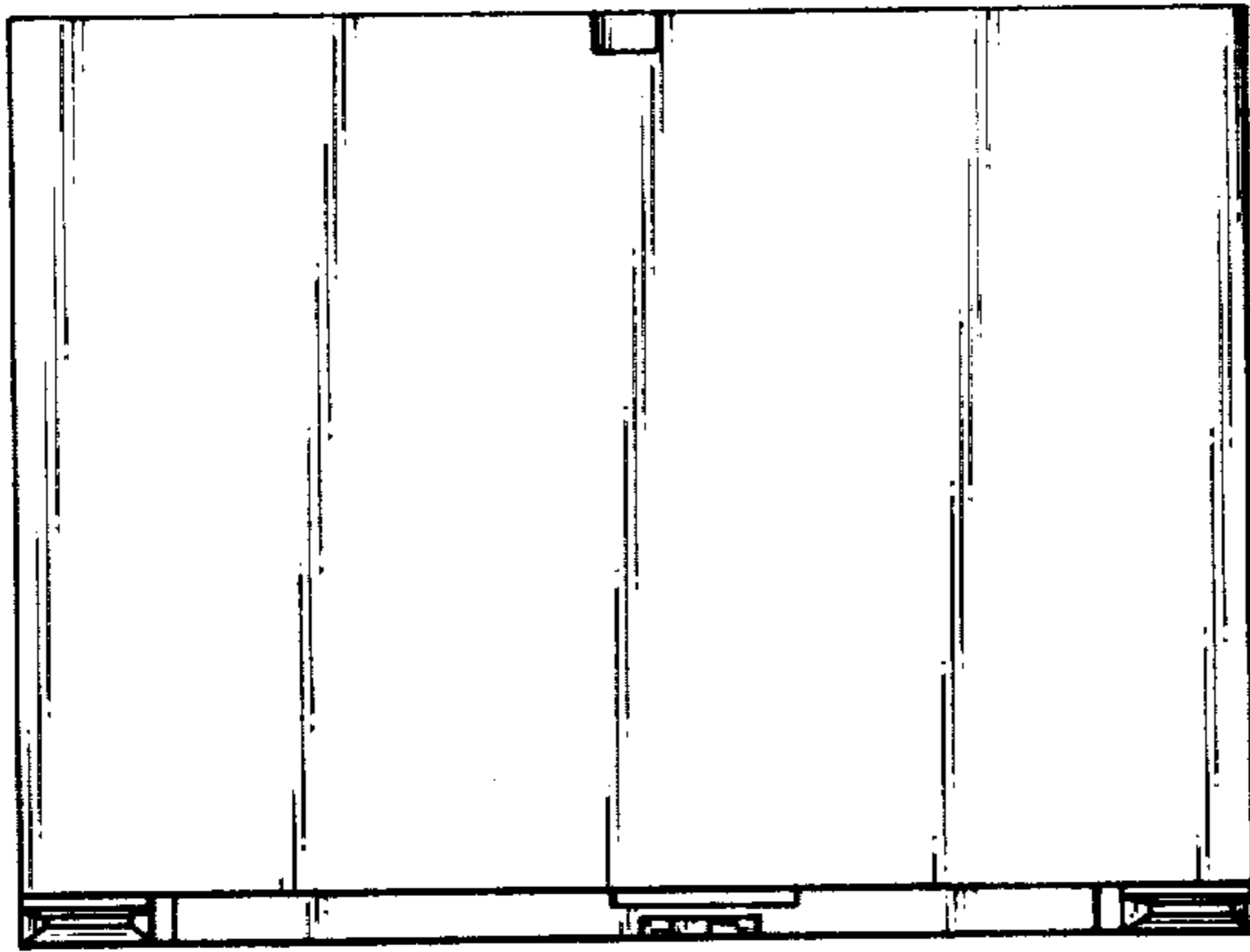


FIG. 5

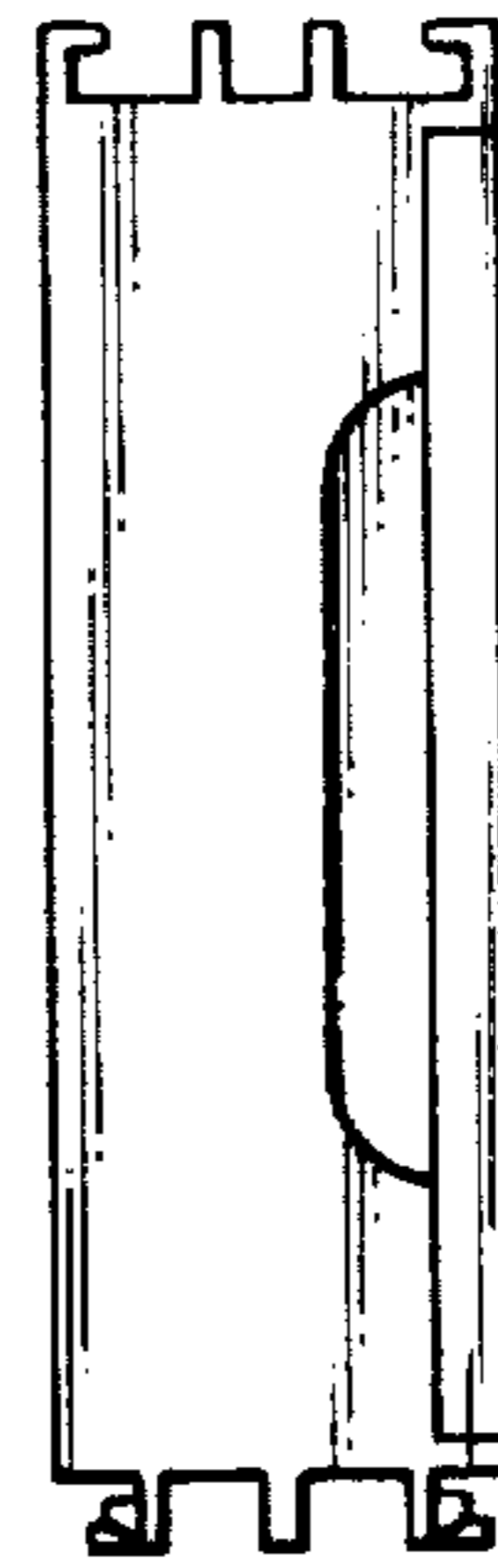


FIG. 6

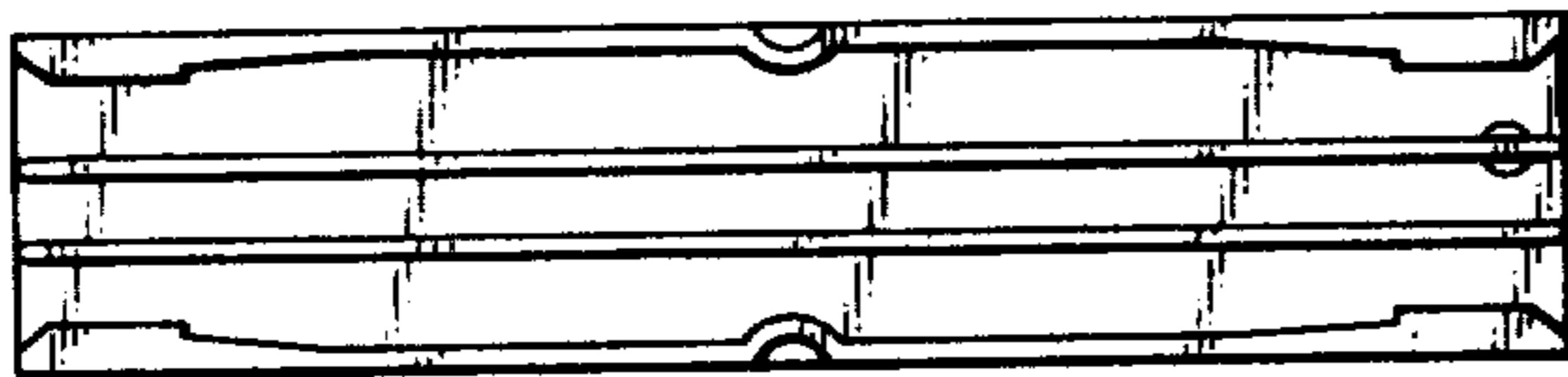


FIG. 7

