

- [54] **COMBINED CIGARETTE CASE AND LIGHTER**
- [76] Inventor: **Ely M. Caguco**, 639 N. Coronado St., No. 4, Los Angeles, Calif. 90026
- [**] Term: **14 Years**
- [21] Appl. No.: **182,992**
- [22] Filed: **Sep. 2, 1980**
- [51] Int. Cl. **D27—05; D27—06**
- [52] U.S. Cl. **D27/37; D27/47**
- [58] Field of Search **D27/36-42, D27/47, 48, 49; 431/1125-143, 253; 206/85, 86, 87**

4,086,756 5/1978 Drake 431/253 X

FOREIGN PATENT DOCUMENTS

410564 3/1910 France 431/129

Primary Examiner—James M. Gandy
Attorney, Agent, or Firm—Donald Diamond

[57] **CLAIM**

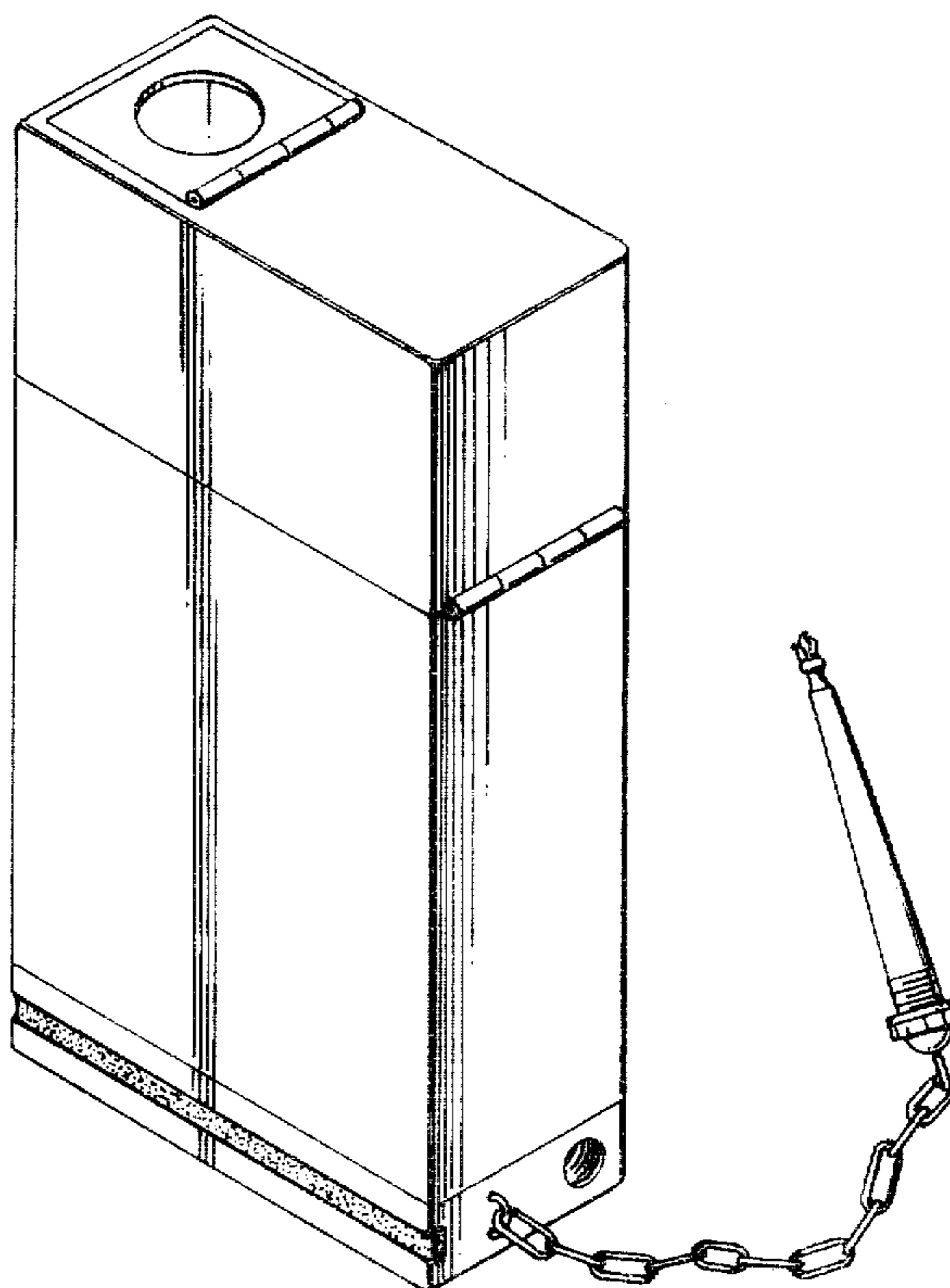
The ornamental design for a combined cigarette case and lighter, substantially as shown.

DESCRIPTION

FIG. 1 is a perspective view taken from the top, rear and right side of a combined cigarette case and lighter showing my new design;
FIG. 2 is a left side elevational view thereof;
FIG. 3 is a bottom plan view thereof;
FIG. 4 is a front elevational view thereof; and
FIG. 5 is a lower, fragmentary, left side elevational view thereof showing the contours of the lighter fit within the housing.

[56] **References Cited**
U.S. PATENT DOCUMENTS

- 1,761,985 6/1930 Goodnow 431/135
- 1,796,136 3/1931 Alland 431/127
- 2,116,963 5/1938 Aronson 206/87



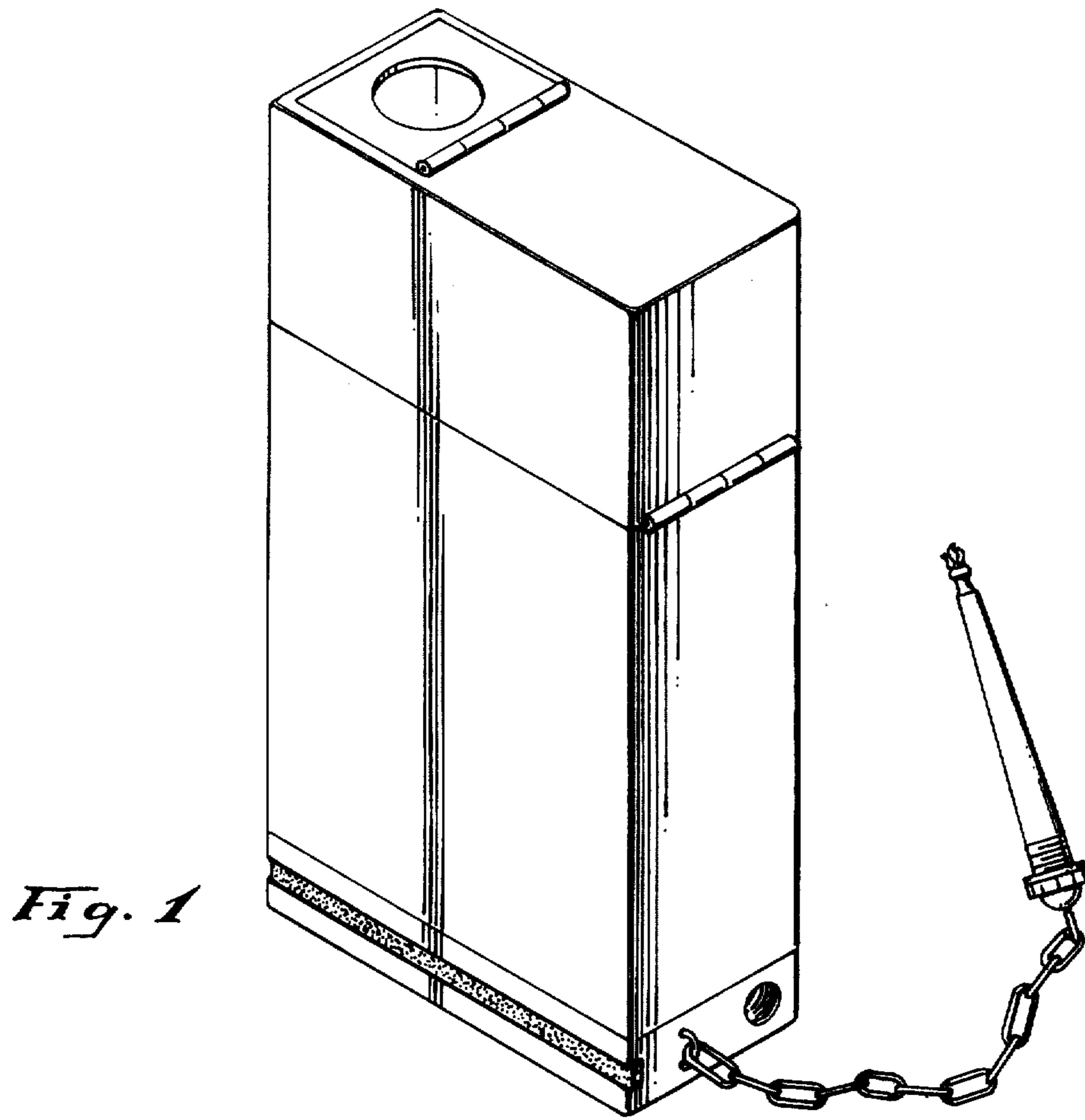


Fig. 1

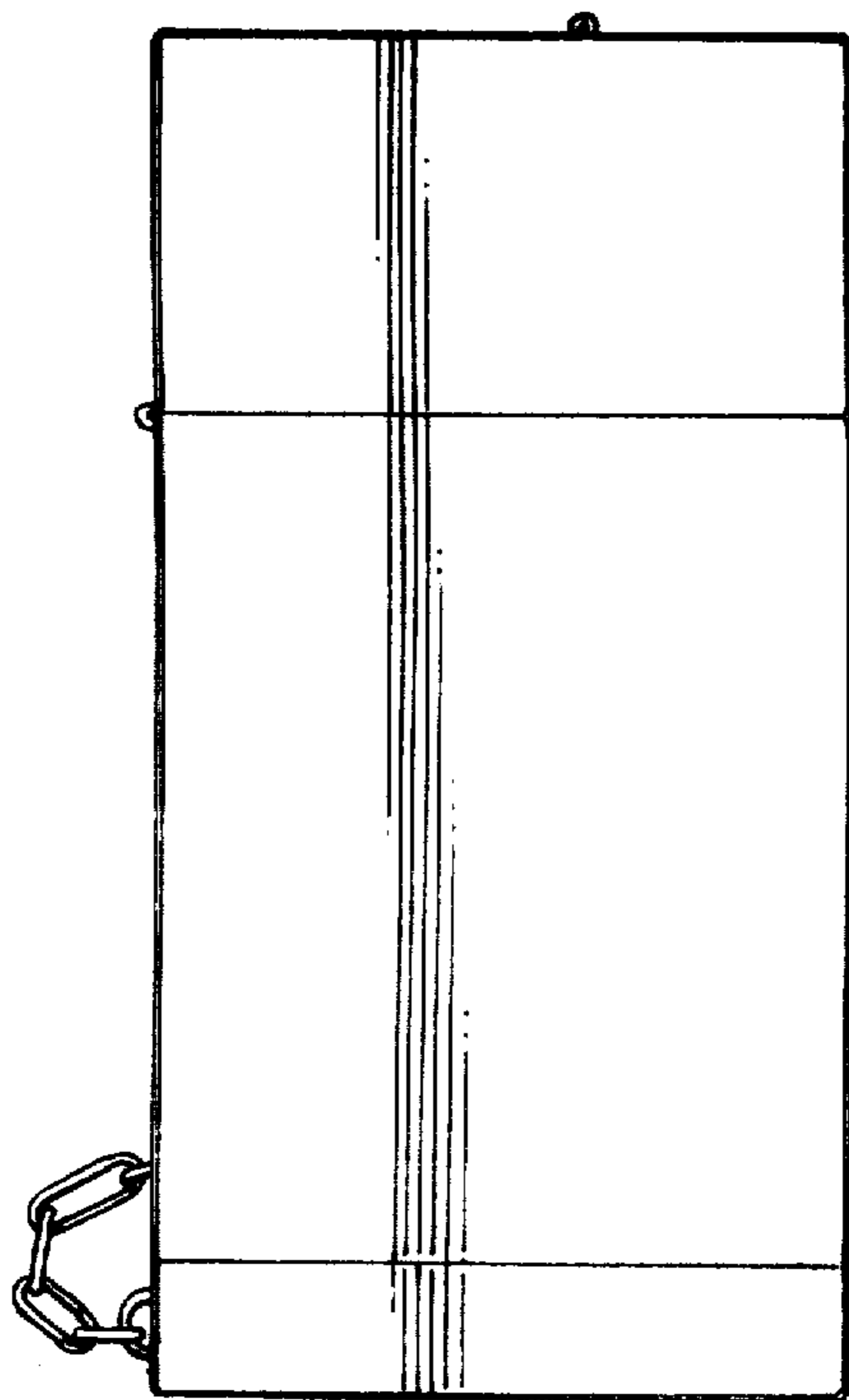


Fig. 2

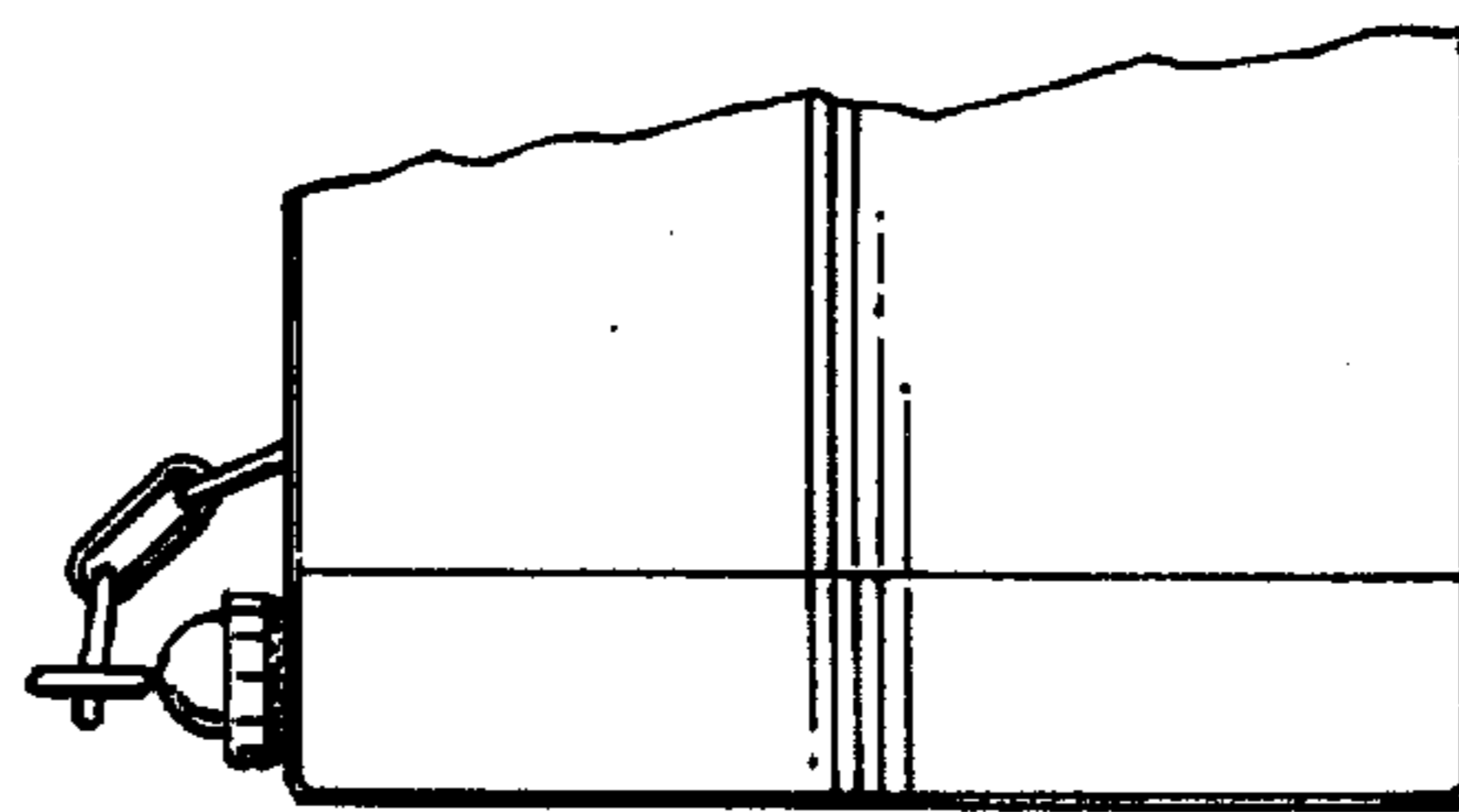


Fig. 5

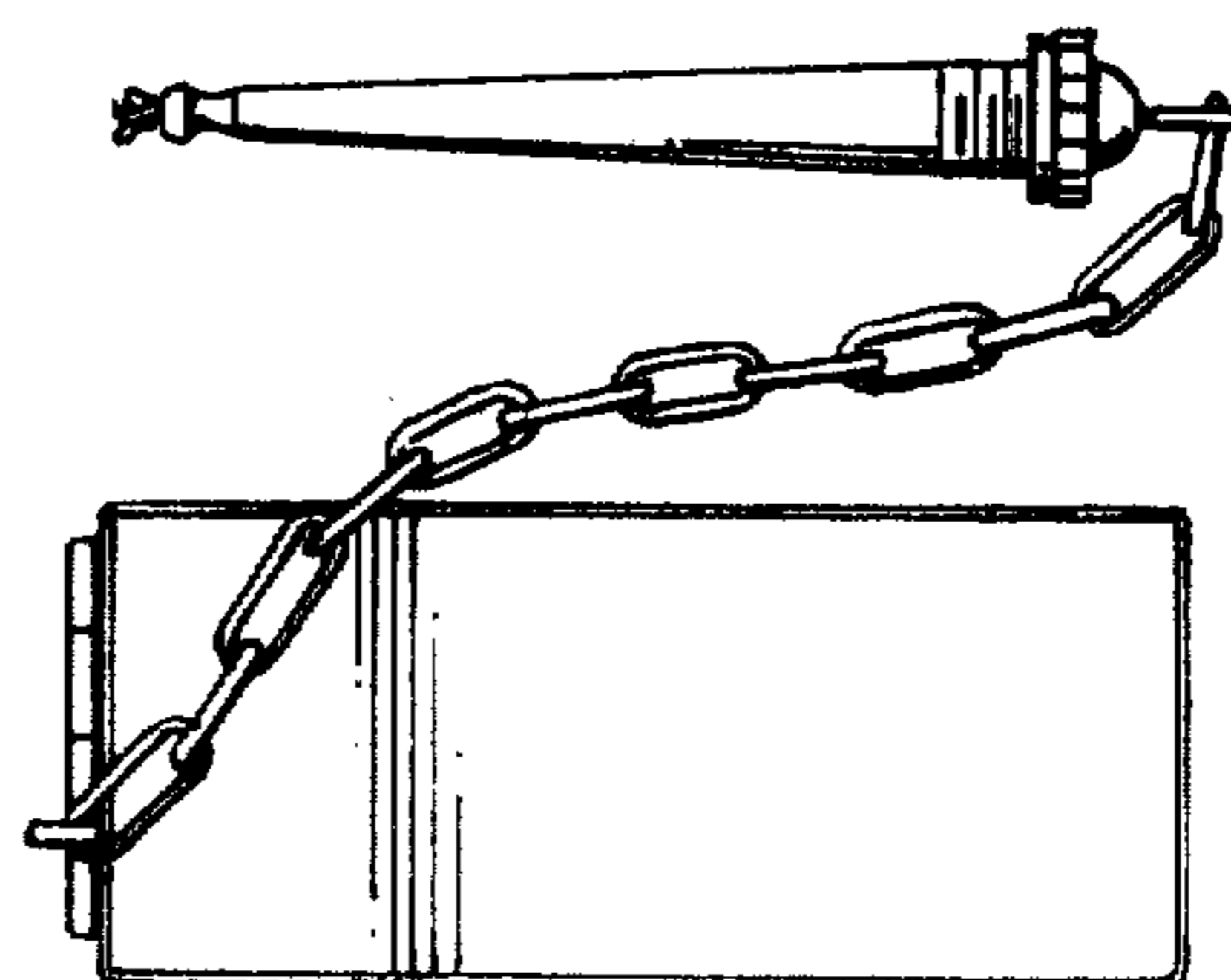


Fig. 3

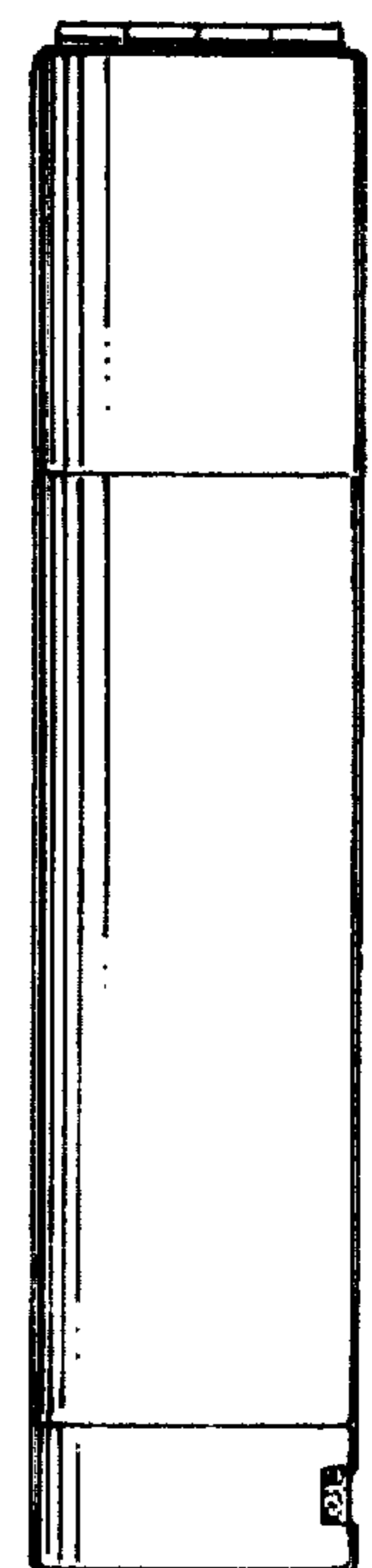


Fig. 4