

[54] LAMP

[75] Inventor: Bernard T. Tamblyn, Agincourt, Canada

[73] Assignee: Resource Interface Inc., Willowdale, Canada

[**] Term: 14 Years

[21] Appl. No.: 242,733

[22] Filed: Mar. 11, 1981

[30] Foreign Application Priority Data

Feb. 6, 1981 [CA] Canada 06-02-81-5

[51] Int. Cl. D26-05

[52] U.S. Cl. D26/93

[58] Field of Search D26/51, 52, 93, 102-112; 362/412, 411, 410, 413, 414, 806

[56] References Cited

U.S. PATENT DOCUMENTS

- D. 66,428 1/1925 Rohlfis D26/107
- D. 168,162 11/1952 Laque D26/51
- D. 224,139 7/1972 Annichini D26/109

OTHER PUBLICATIONS

Lamp Journal, 4-1970, p. 19, Auralume Desk Lamp. Popular Mechanics, 4-1951, p. 198, Table Lamp (right).

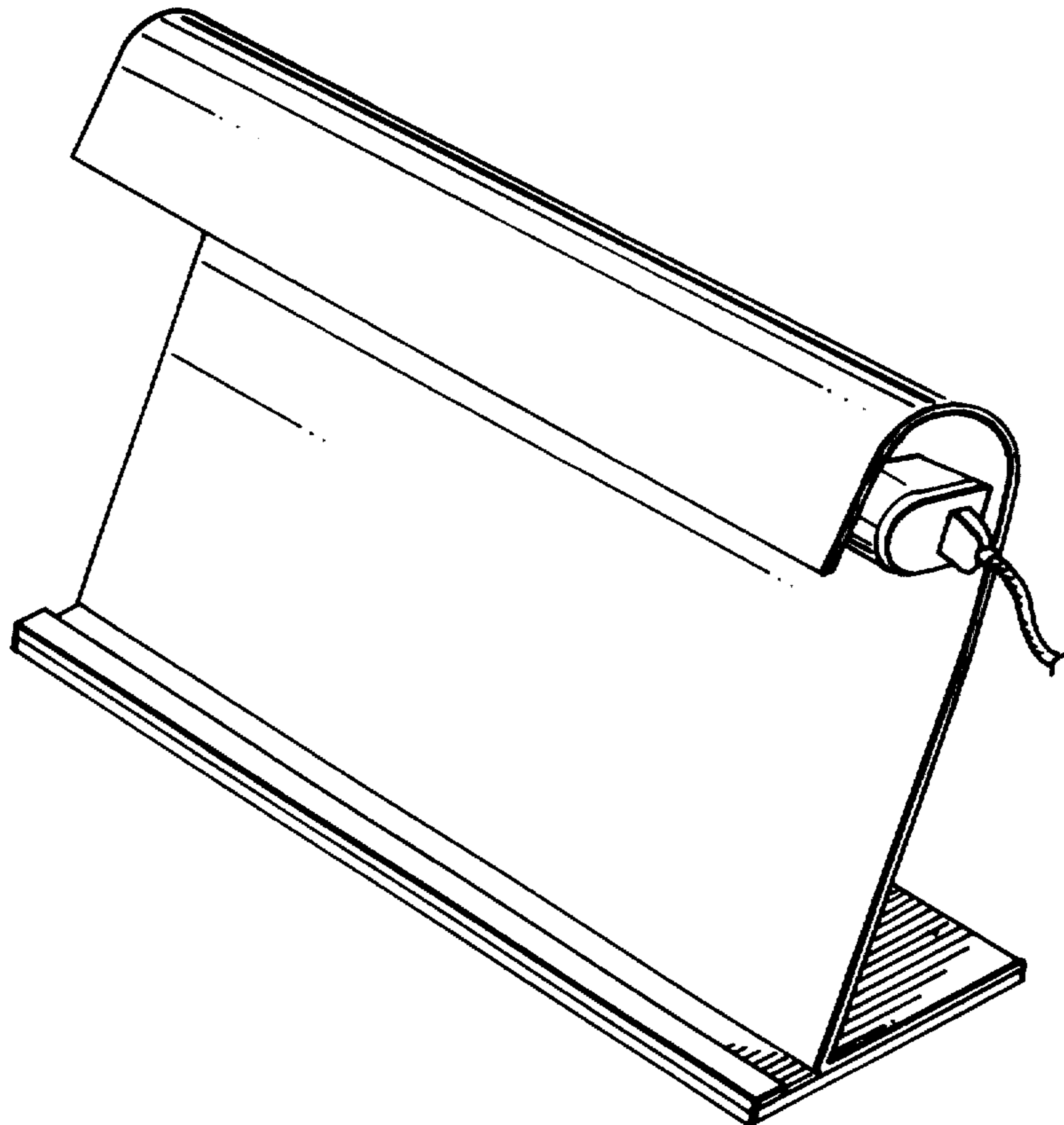
Primary Examiner—Susan J. Lucas
Attorney, Agent, or Firm—Sughrue, Mion, Zinn, Macpeak and Seas

[57] CLAIM

The ornamental design for lamp, as shown and described.

DESCRIPTION

FIG. 1 is a front perspective view of a lamp showing my new design;
 FIG. 2 is a rear perspective view thereof;
 FIG. 3 is a rear perspective view of a second embodiment of my new design;
 FIG. 4 is a top view thereof;
 FIG. 5 is a side elevational view of the embodiment shown in FIGS. 1 and 2;
 FIG. 6 is a side elevational view of the embodiment shown in FIGS. 3 and 4.
 The bottom is plain and unornamented in both embodiments. The interior of the reflector is plain and unornamented.



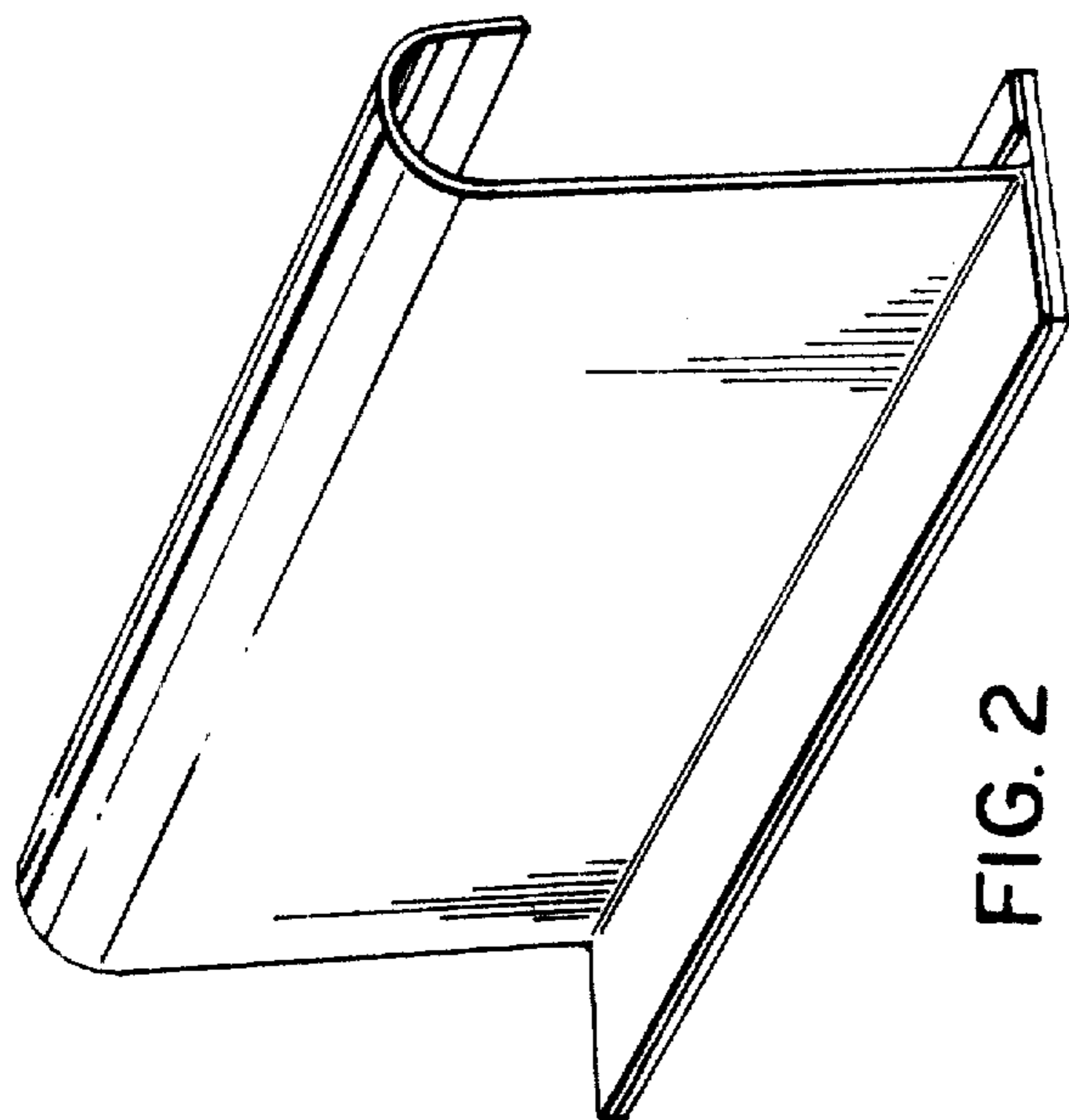


FIG. 2

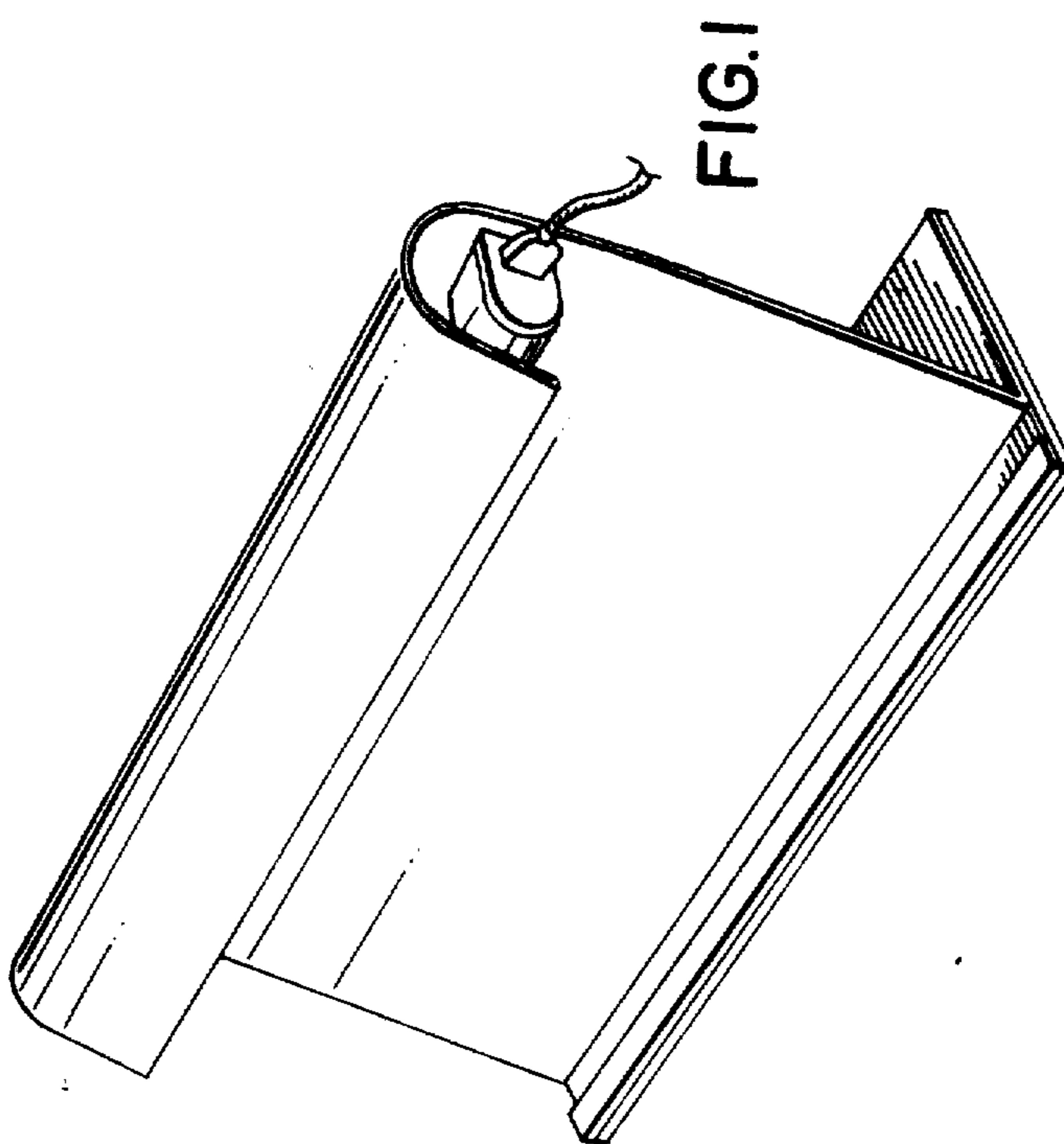


FIG. 1

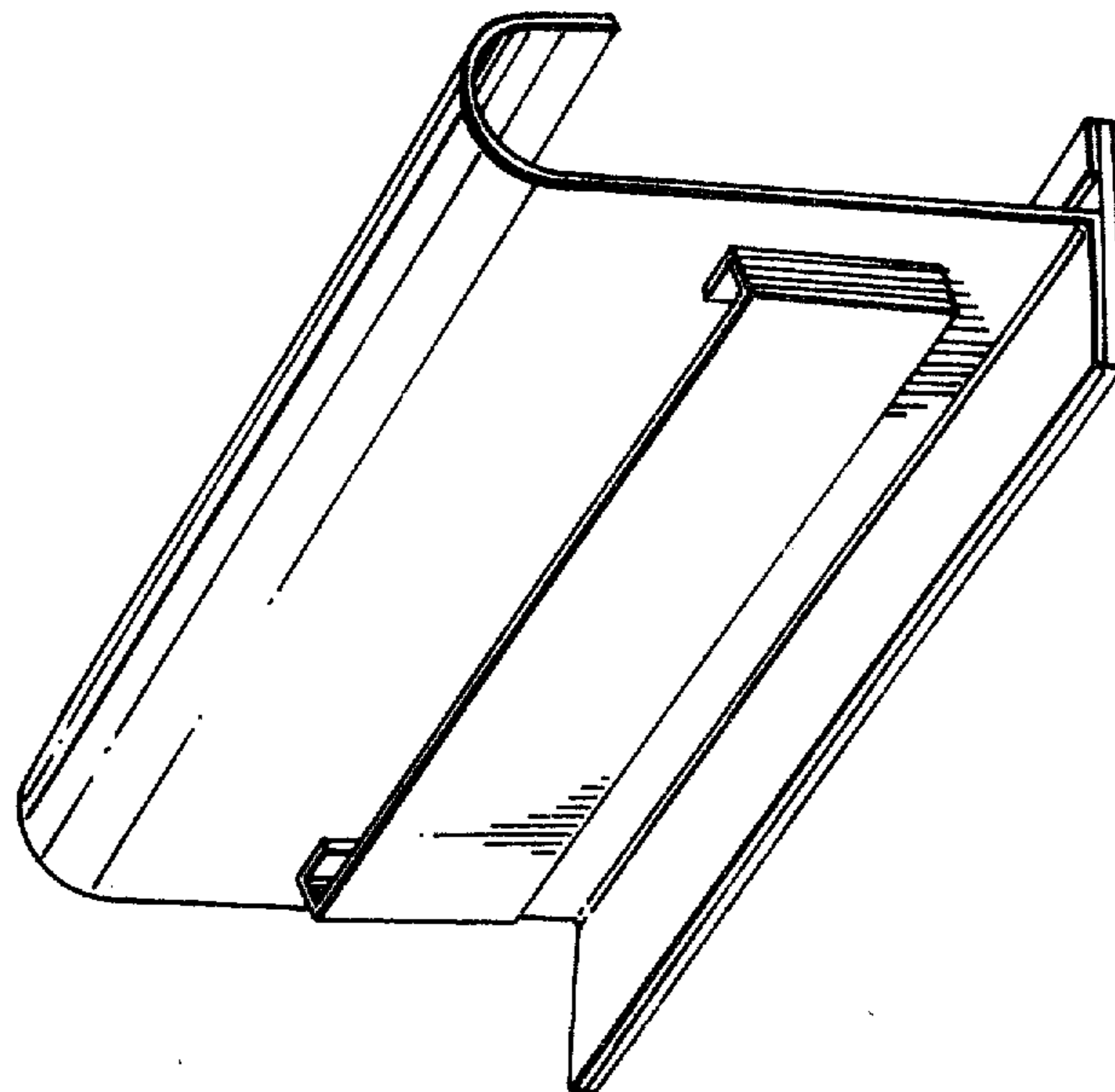


FIG. 3

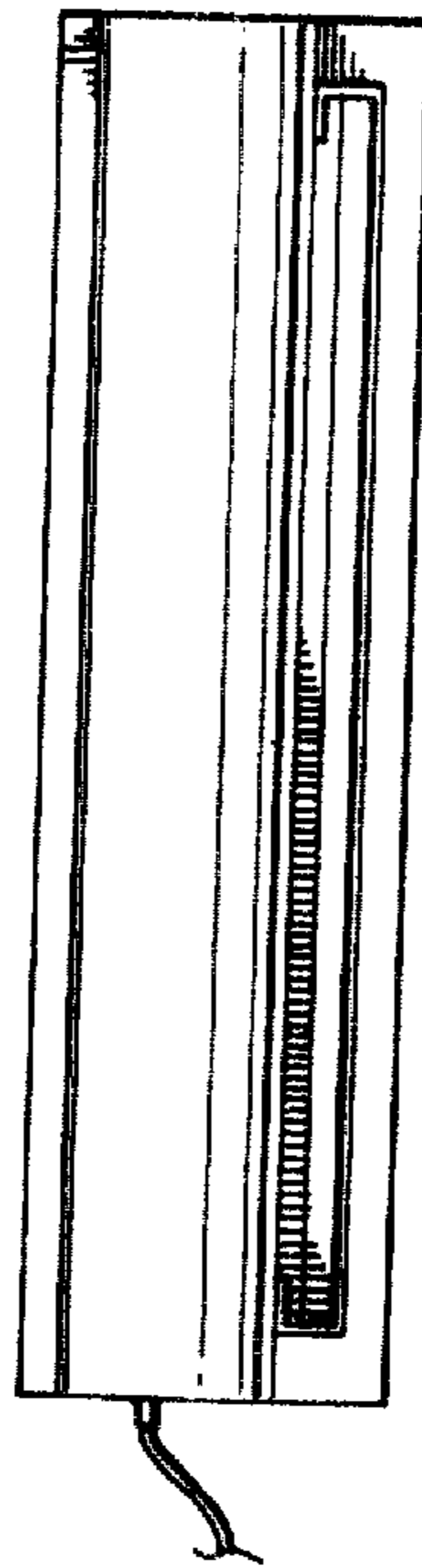


FIG. 4

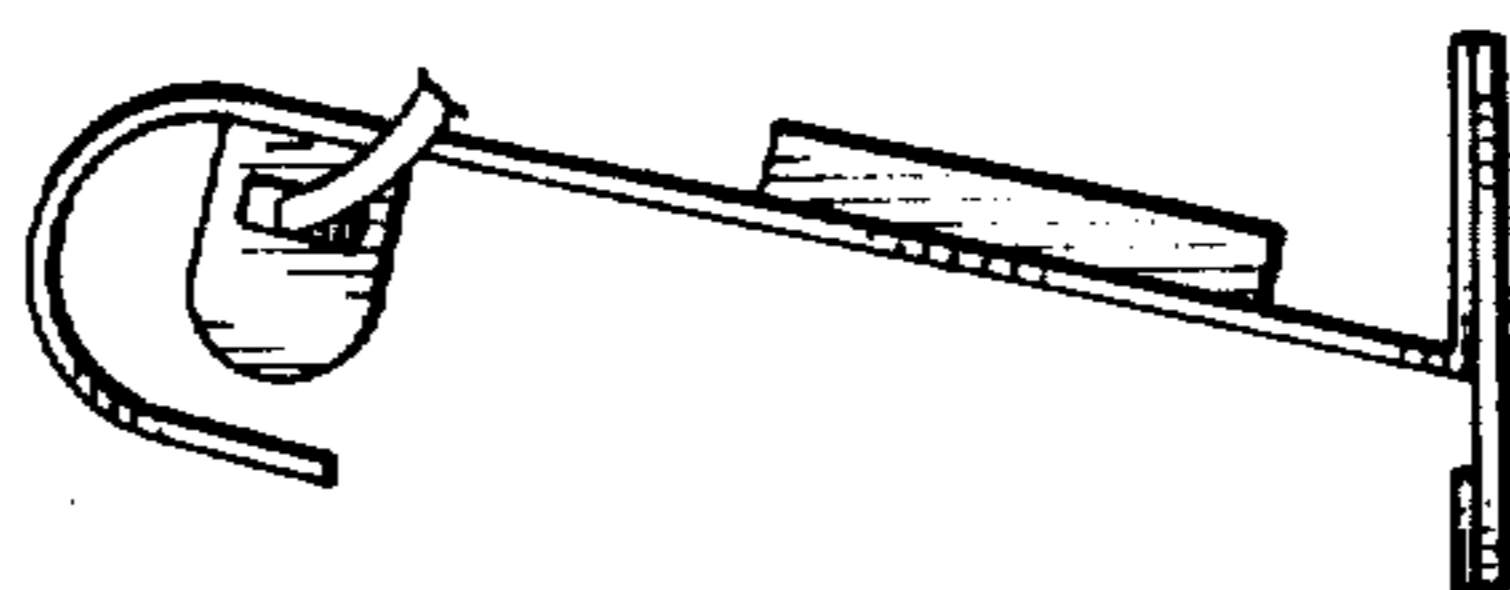


FIG. 6

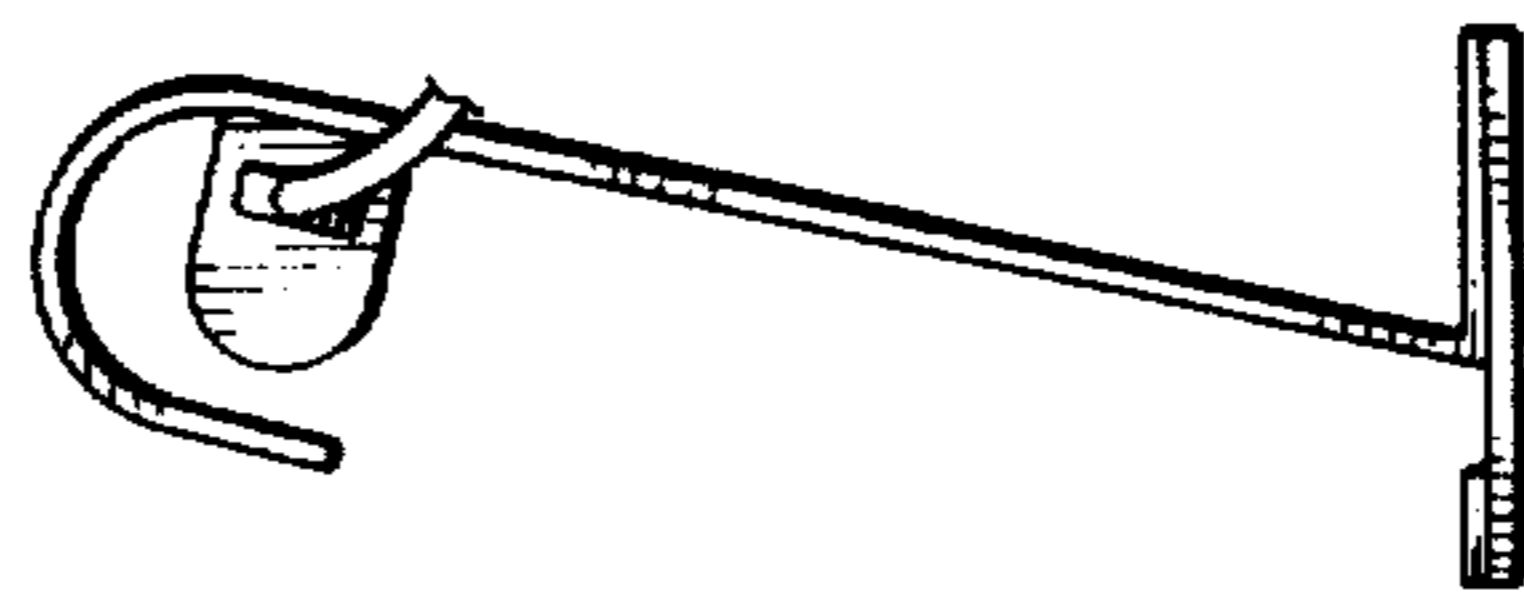


FIG. 5