

[54] LIGHTING FIXTURE

[75] Inventor: Henry Muller, Rego Park, N.Y.

[73] Assignee: Lightolier Incorporated, Jersey City, N.J.

[**] Term: 14 Years

[21] Appl. No.: 284,182

[22] Filed: Jul. 17, 1981

[51] Int. Cl. D26-05

[52] U.S. Cl. D26/85

[58] Field of Search D26/24, 72, 80-92; 362/362, 297, 309, 310, 311, 432, 404-407

[56] References Cited

U.S. PATENT DOCUMENTS

D. 244,310 5/1977 Dunning D26/85

OTHER PUBLICATIONS

Georgian Art Lighting Designs, Inc. Catalog 1973, p. 13, Wall Lantern #B-2882.

Lightolier Lighting Catalog, ©1970, p. 84, Wall Lanterns #5125 and #5129.

Primary Examiner—Susan J. Lucas

Attorney, Agent, or Firm—Arthur B. Colvin

[57] CLAIM

The ornamental design for a lighting fixture, as shown and described.

DESCRIPTION

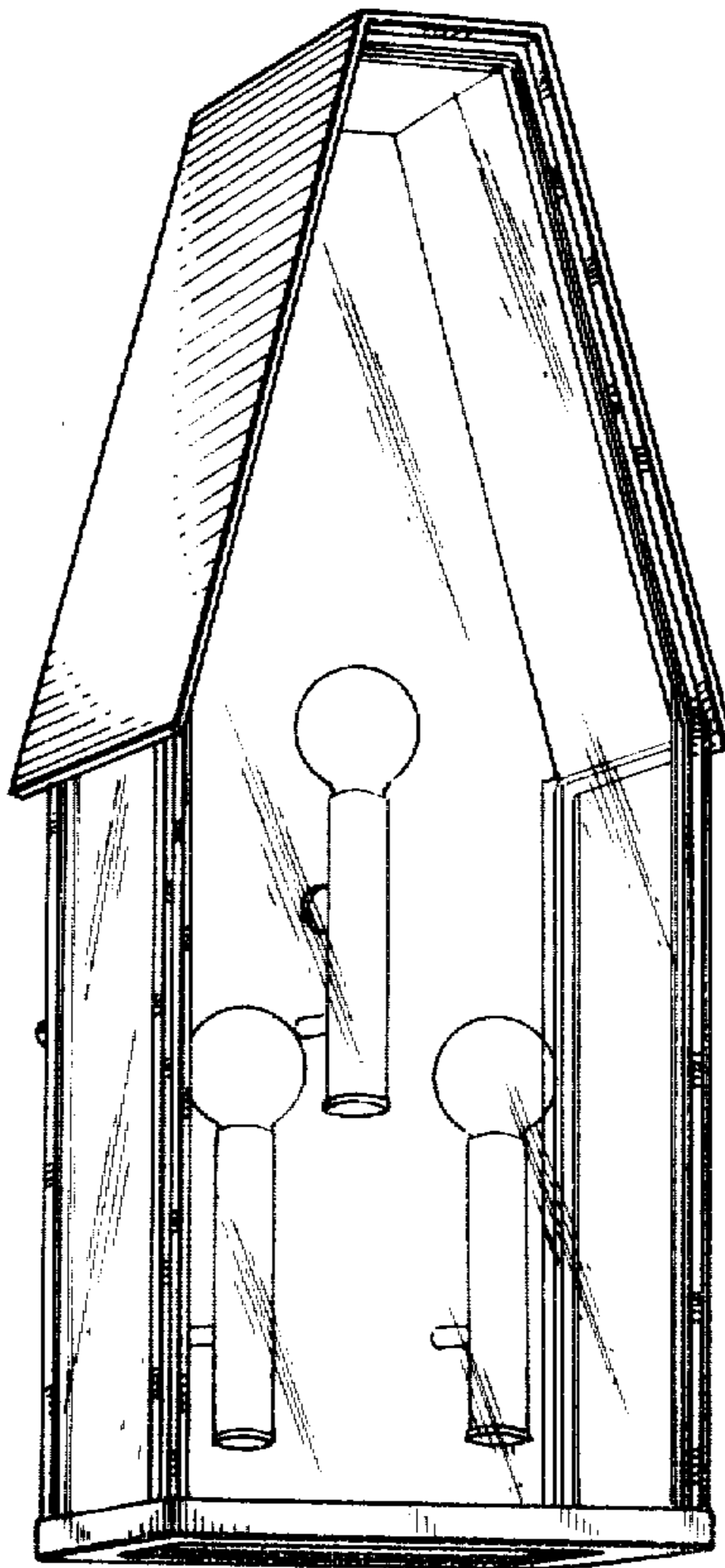
FIG. 1 is a perspective view of a lighting fixture showing my new design;

FIG. 2 is a side elevational view thereof on an enlarged scale;

FIG. 3 is a top plan view thereof on an enlarged scale;

FIG. 4 is a rear view thereof on an enlarged scale, and

FIG. 5 is a bottom plan view thereof on an enlarged scale.



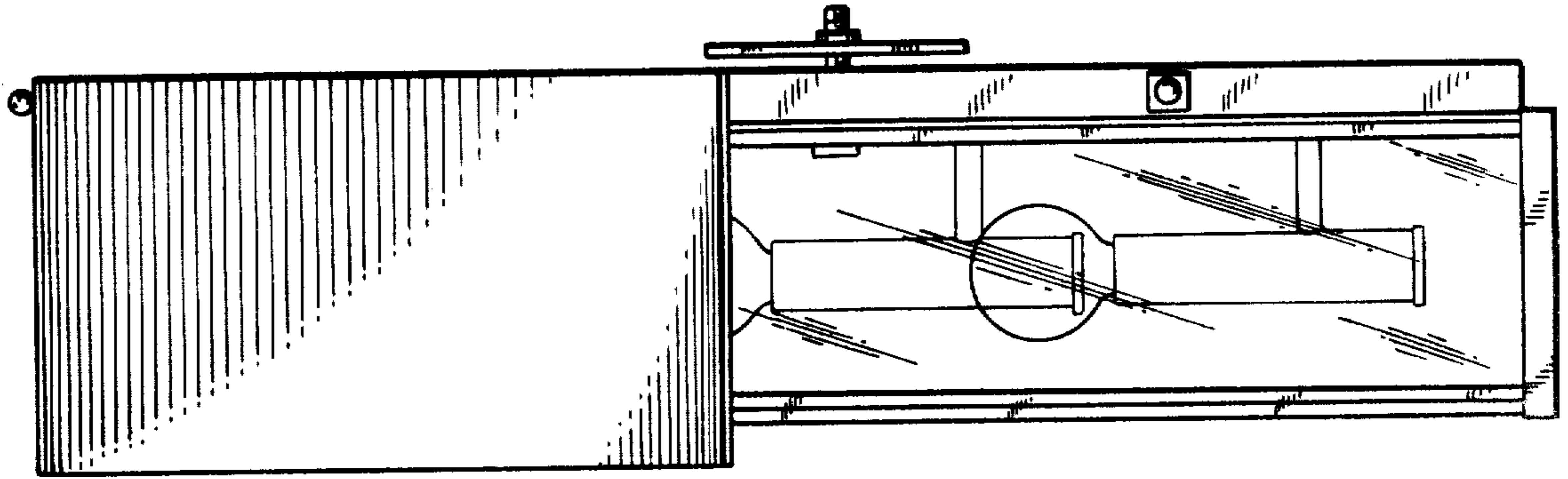


FIG. 2

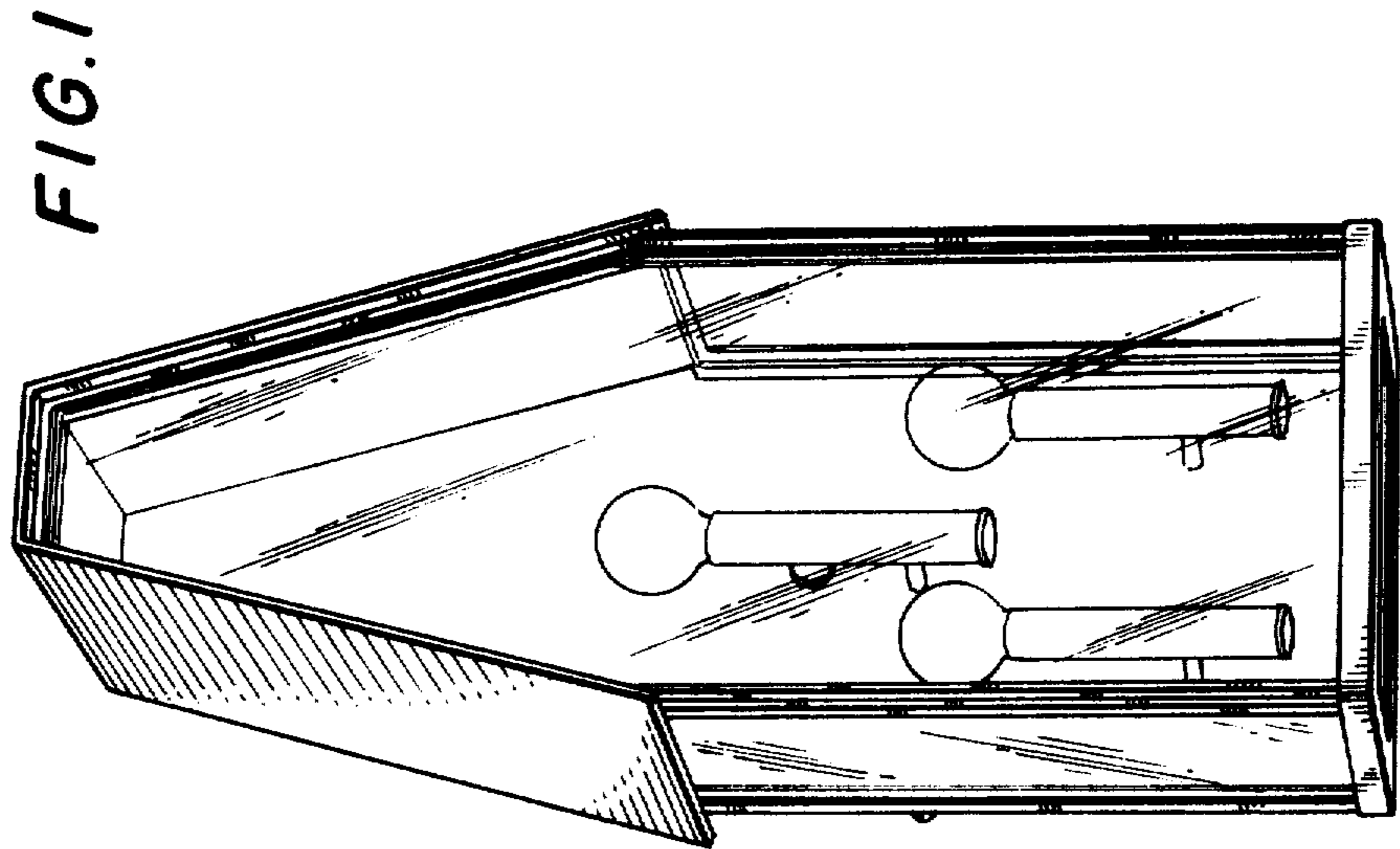


FIG. 1

FIG. 3

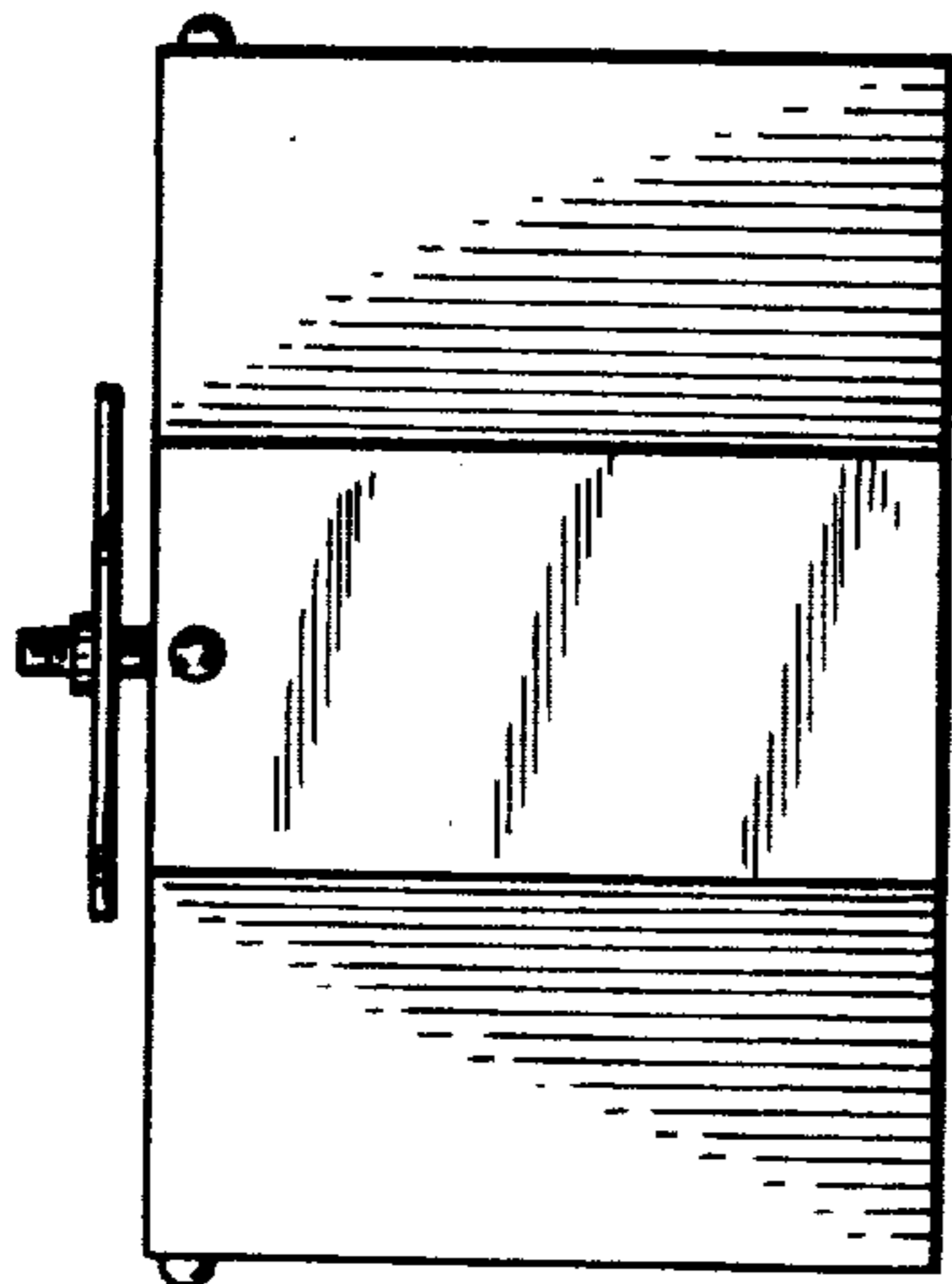


FIG. 5

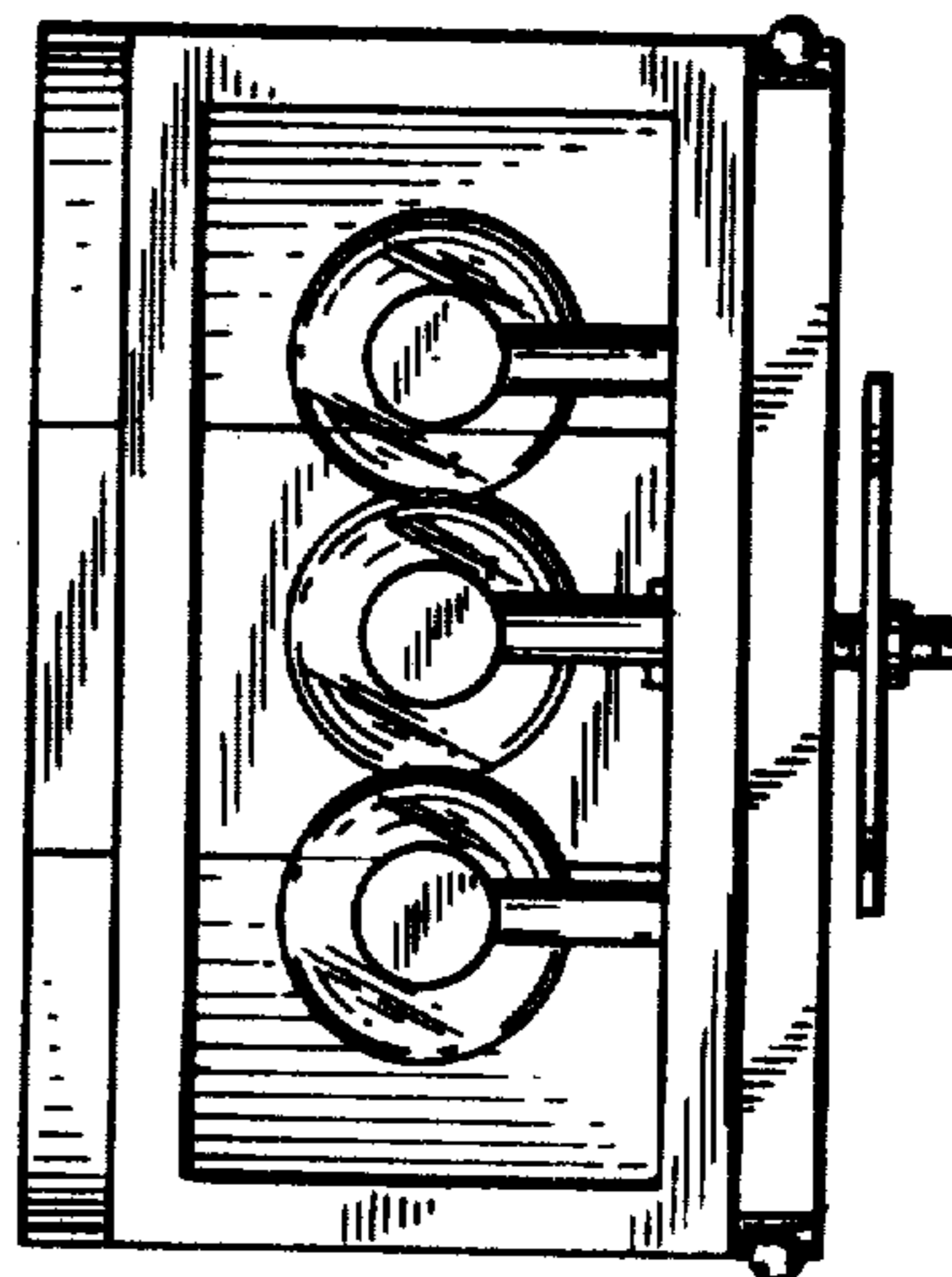


FIG. 4

