

[54] COMBINED FLOOD AND SPOT LIGHT

[75] Inventor: Lawrence M. Parker, North Hollywood, Calif.

[73] Assignee: Mole-Richardson Co., Hollywood, Calif.

[**] Term: 14 Years

[21] Appl. No.: 246,245

[22] Filed: Mar. 23, 1981

[51] Int. Cl. D26-3

[52] U.S. Cl. D26/63

[58] Field of Search D26/24, 61, 62, 63, D26/64, 65, 66, 72, 80; 362/297, 310, 309, 311, 227, 235, 259, 263, 269, 285, 287, 362, 418, 419, 426, 427

[56]

References Cited

U.S. PATENT DOCUMENTS

D. 105,288 7/1937 Levy D26/63
D. 235,222 5/1975 Larson D26/65

Primary Examiner—Susan J. Lucas
Attorney, Agent, or Firm—Edward A. Sokolski

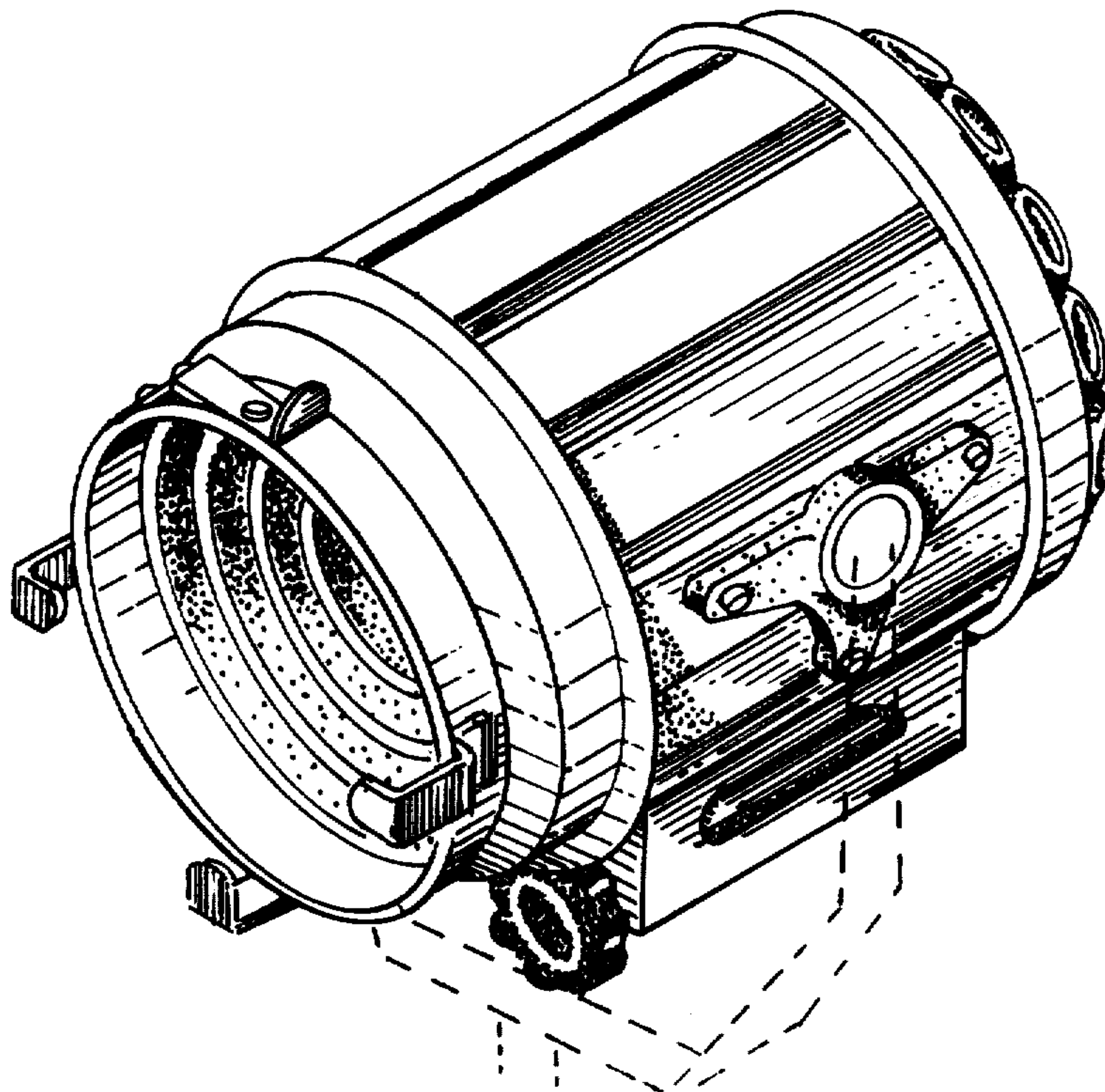
[57]

CLAIM

The ornamental design for a combined flood and spot light, as shown.

DESCRIPTION

FIG. 1 is a front elevational view of my new combined flood and spot light;
FIG. 2 is a rear elevational view thereof;
FIG. 3 is a side elevational view thereof;
FIG. 4 is a bottom plan view thereof;
FIG. 5 is a top plan view thereof; and
FIG. 6 is a perspective view thereof.



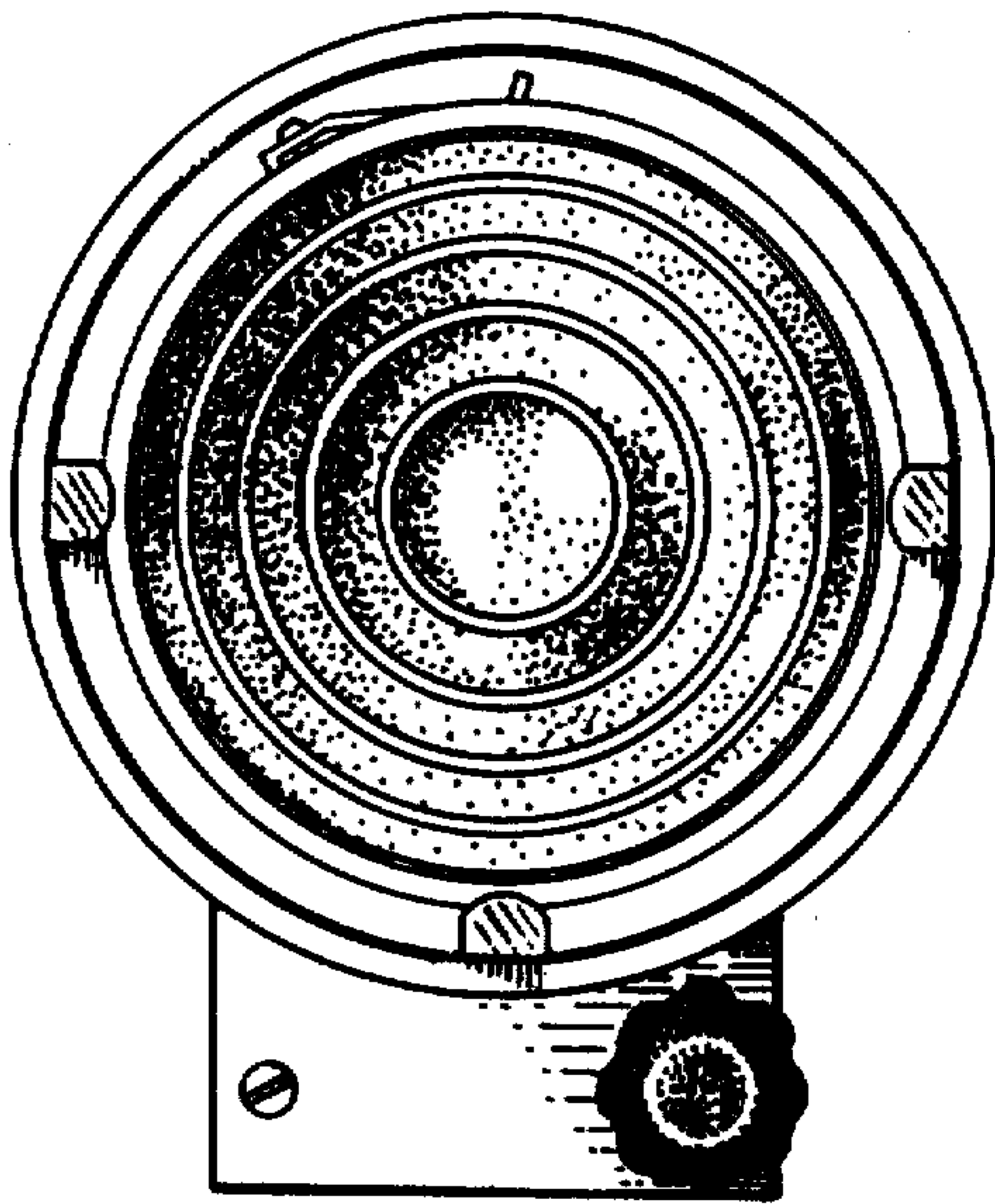


Fig. 1

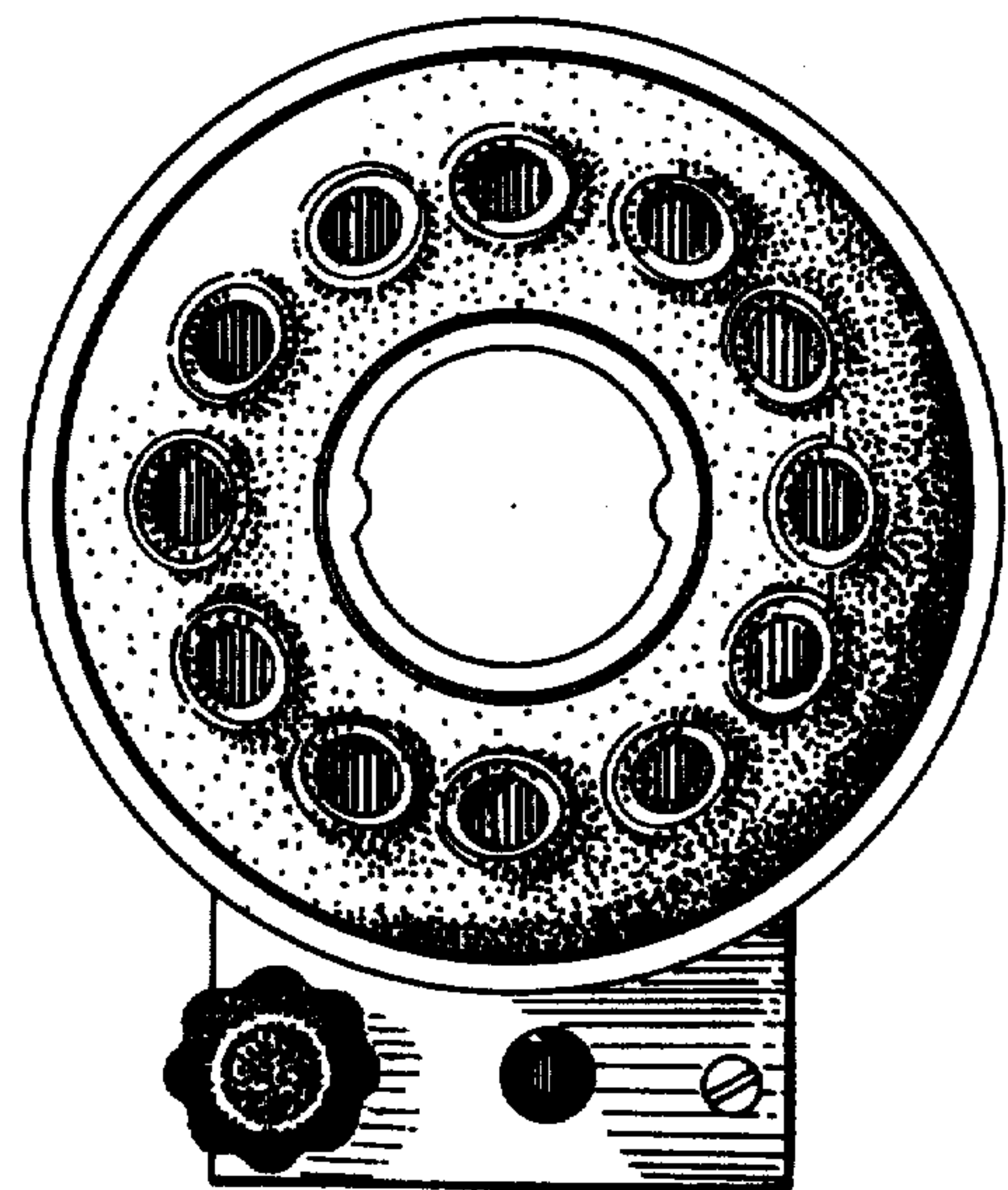


Fig. 2

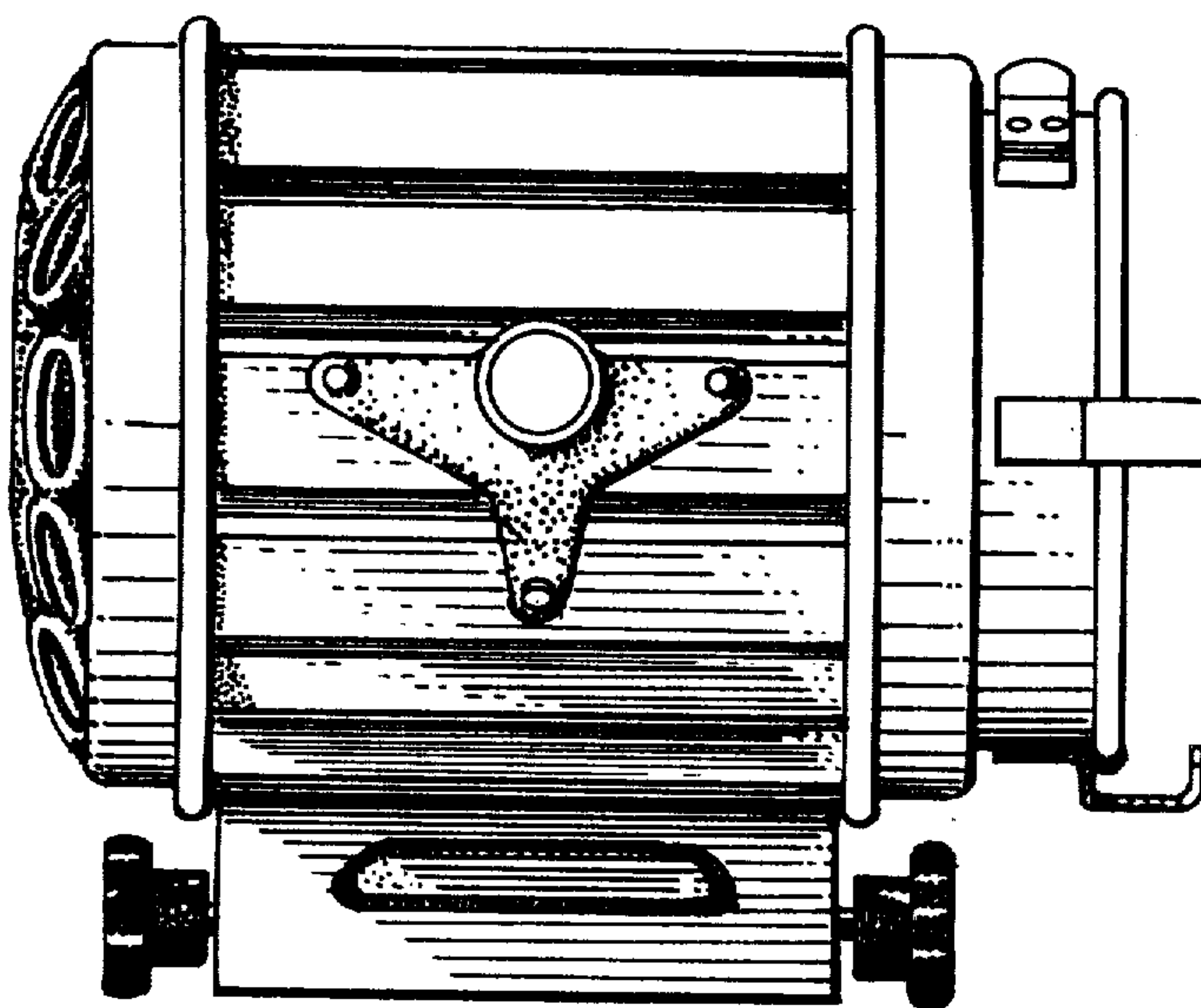


Fig. 3

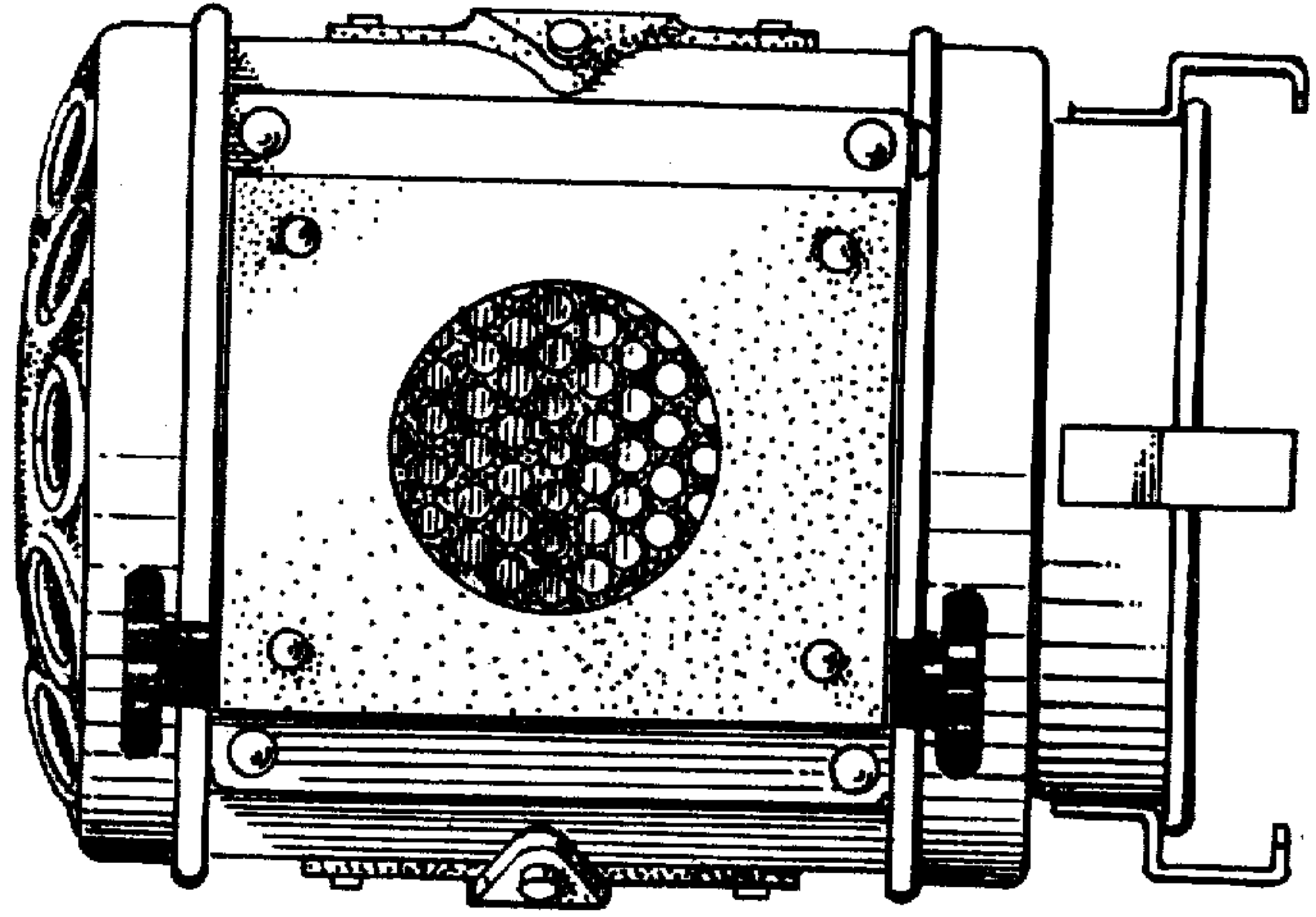


Fig. 4

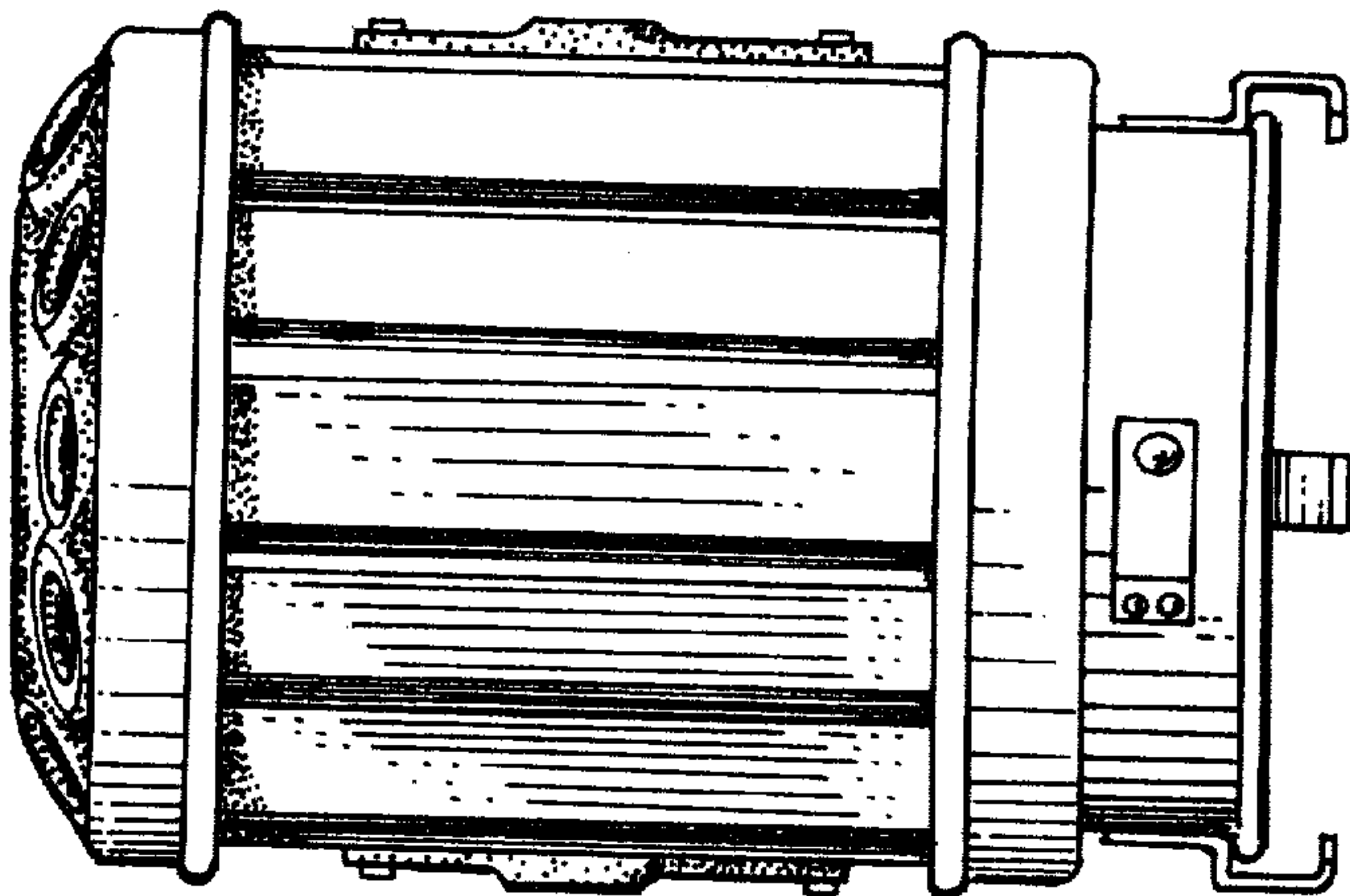


Fig. 5

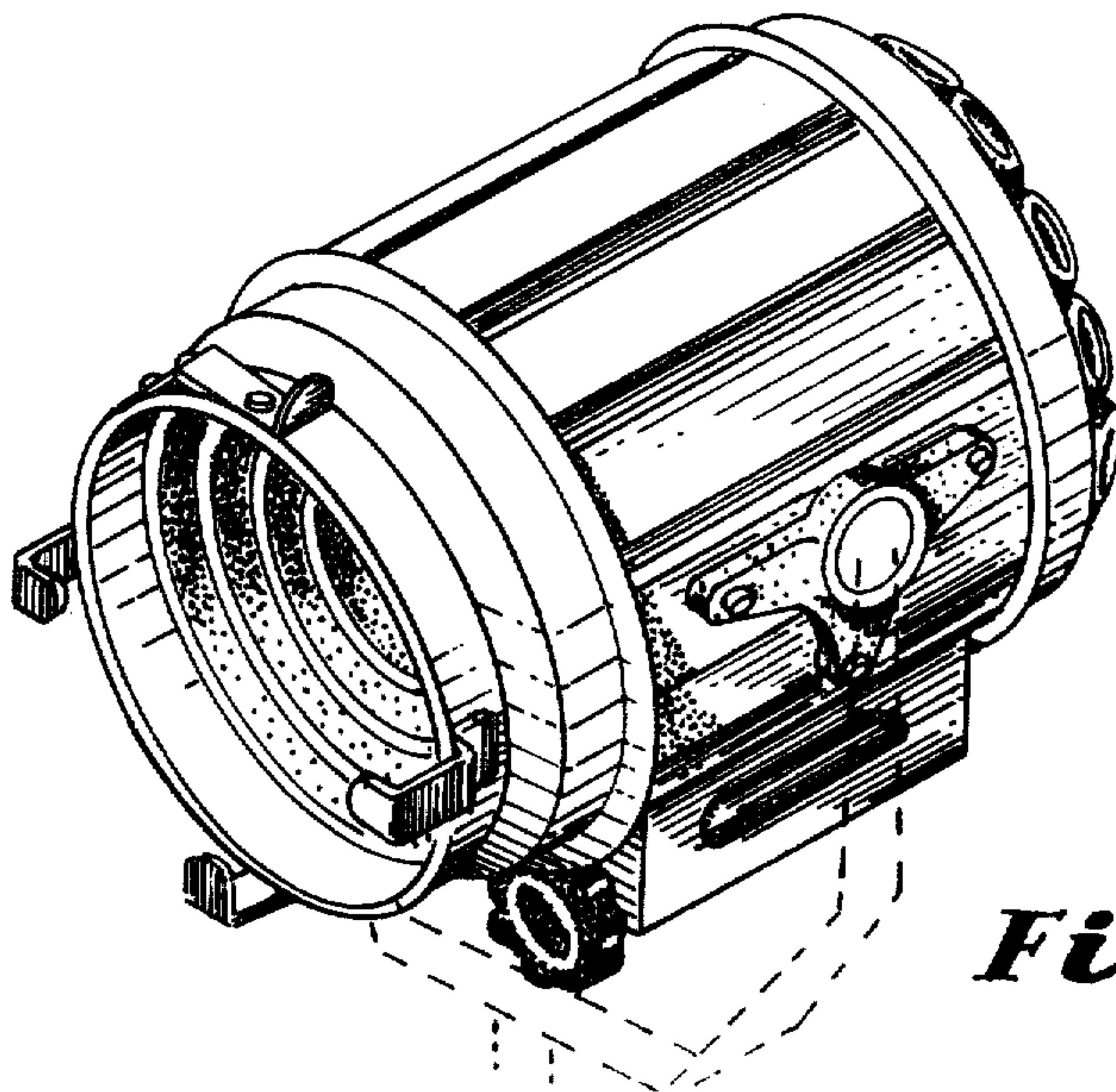


Fig. 6