

[54] **SNOW MAKING SPRAY UNIT**
 [75] Inventor: **Philip L. Tropeano, Lexington, Mass.**
 [73] Assignee: **Larchmont Engineering and Irrigation, Inc., Lexington, Mass.**
 [**] Term: **14 Years**
 [21] Appl. No.: **249,945**
 [22] Filed: **Apr. 1, 1981**
 [51] Int. Cl. **D23—35**
 [52] U.S. Cl. **D23/35**
 [58] Field of Search **D23/17, 18, 34, 35, D23/36, 37; 239/2.5, 14, 433**

3,822,825 7/1974 Dupre 239/14
 3,952,944 4/1976 Dupre 239/2.5
 3,964,682 6/1976 Tropeano et al. 239/2.5

Primary Examiner—James R. Largen
Attorney, Agent, or Firm—Gerald H. Glanzman

[57] **CLAIM**

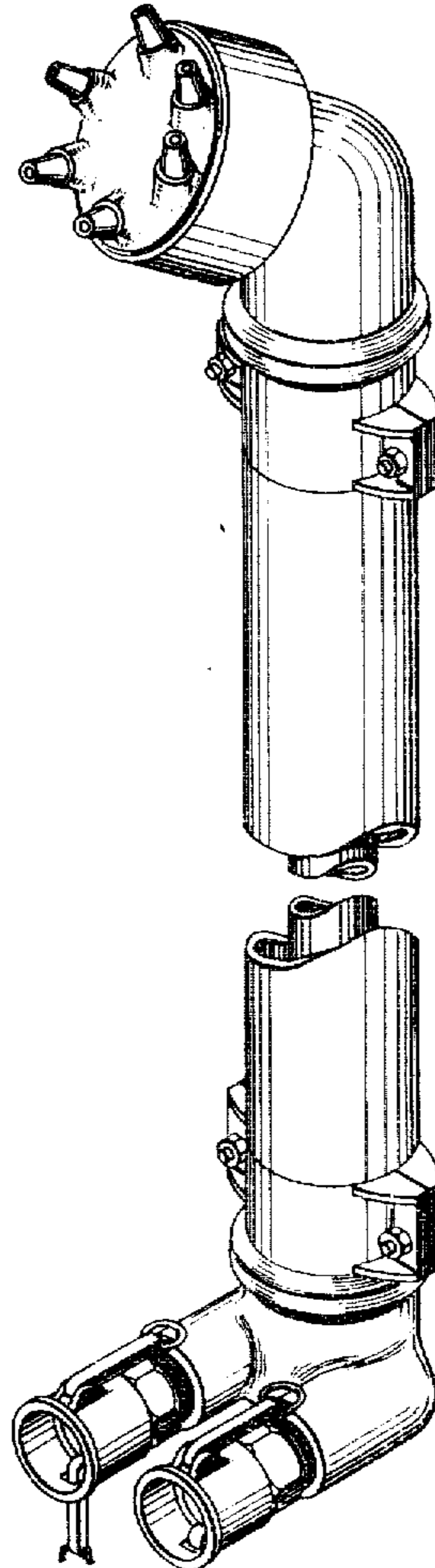
The ornamental design for a snow making spray unit, as shown and described.

DESCRIPTION

FIG. 1 is a front perspective view of a snow making spray unit showing my new design.
 FIG. 2 is a side elevational view thereof.
 FIG. 3 is a rear elevational view thereof.
 FIG. 4 is a side elevational view of a modified form of the snow making spray unit shown in FIG. 1; and
 FIG. 5 is an enlarged fragmentary elevational view showing the auxiliary spray head shown in FIG. 4.
 The center of the unit is broken away in FIGS. 1, 2 and 3 to indicate indeterminate height and the broken line showing of support structure in FIGS. 2 and 4 is for the purposes of illustration only.

[56] **References Cited**
U.S. PATENT DOCUMENTS

D. 86,307	2/1932	Gilsenan	D23/34
D. 234,845	4/1975	Davis	D23/17
3,298,612	1/1967	Torrens	239/2.5 X
3,301,485	1/1967	Tropeano et al.	239/2.5
3,706,414	12/1972	Dupre	239/2.5 X
3,761,020	9/1973	Tropeano et al.	239/2.5



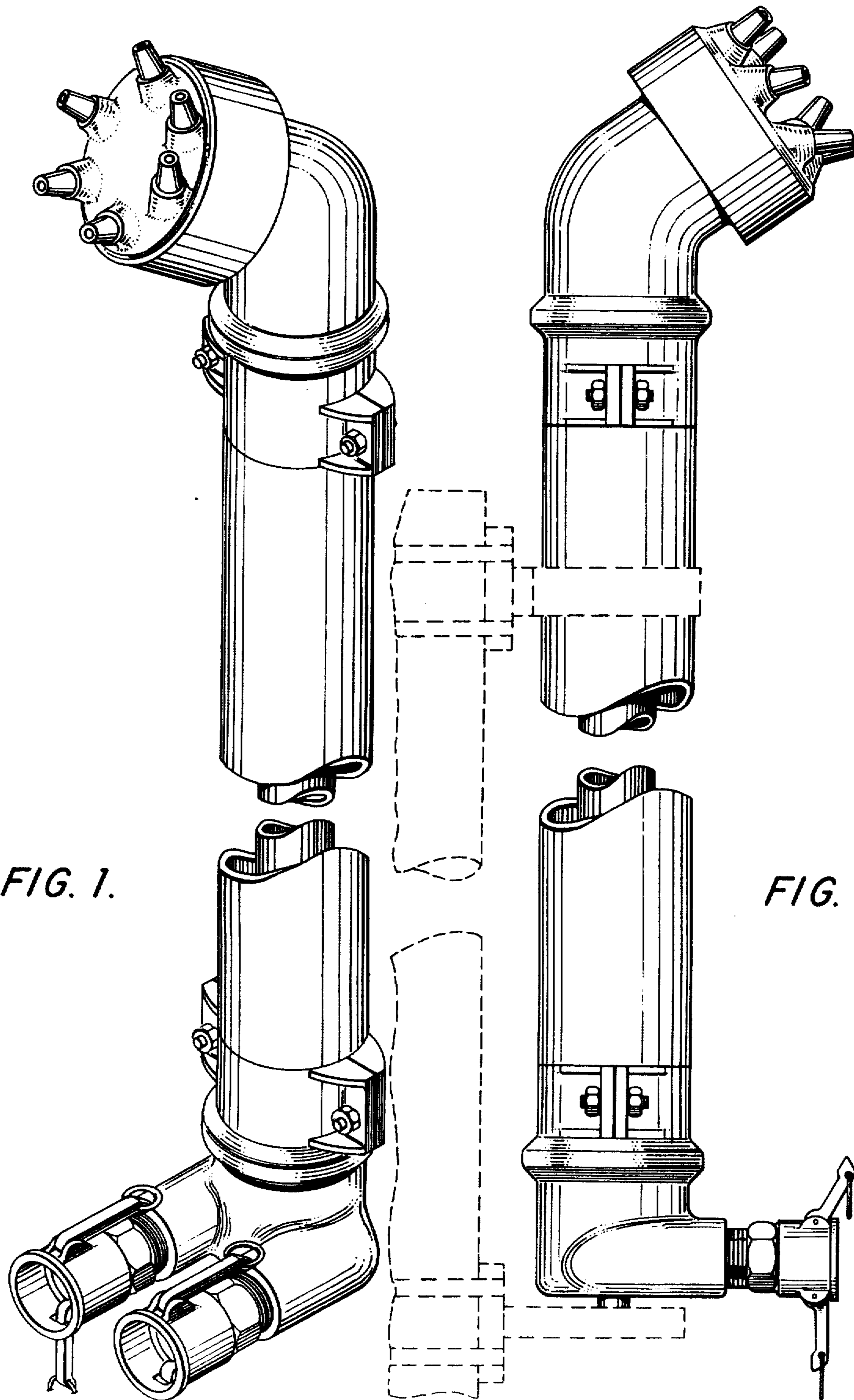


FIG. 1.

FIG. 2.

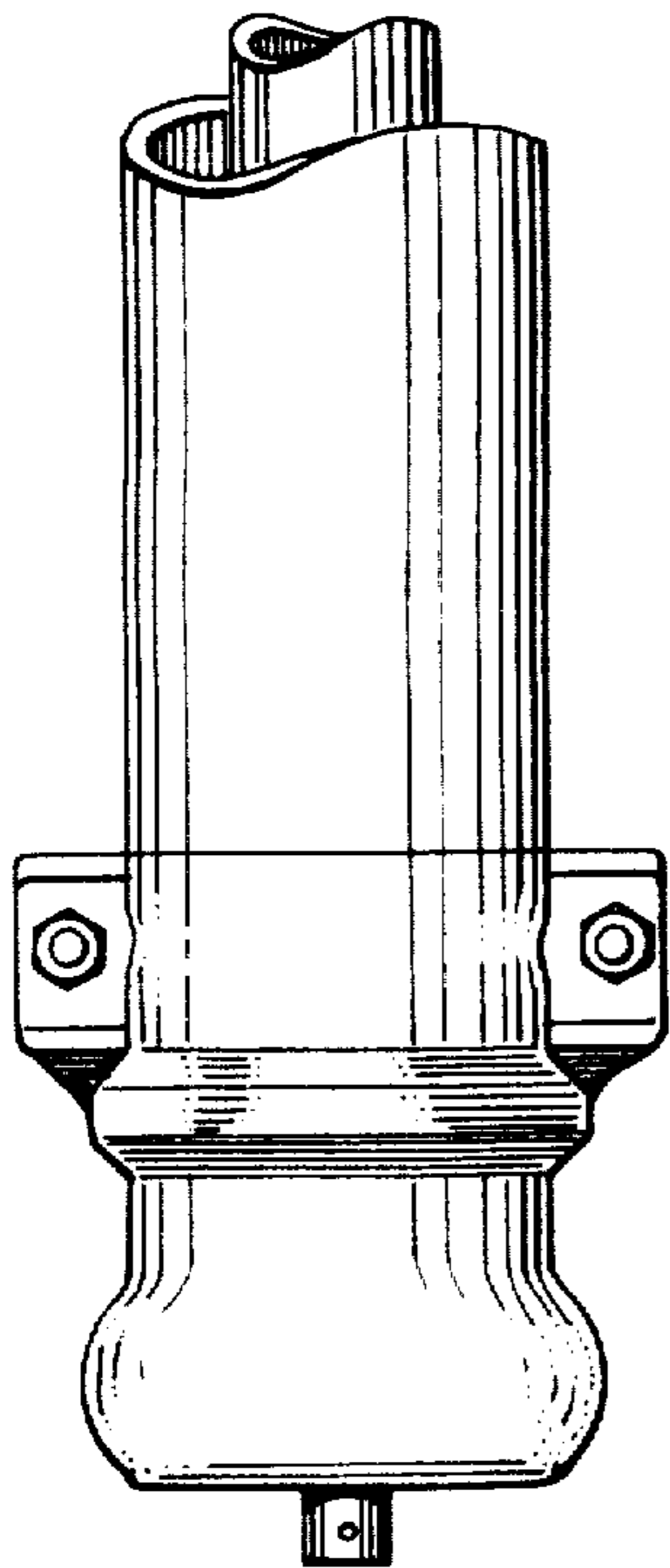
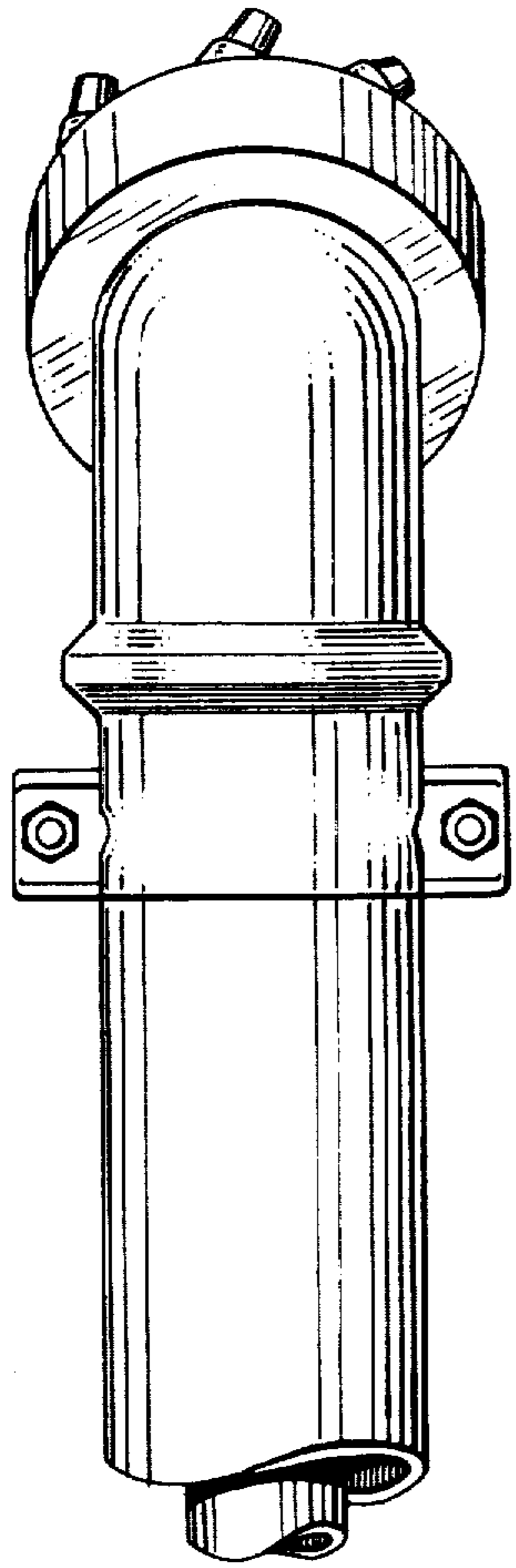


FIG. 3.

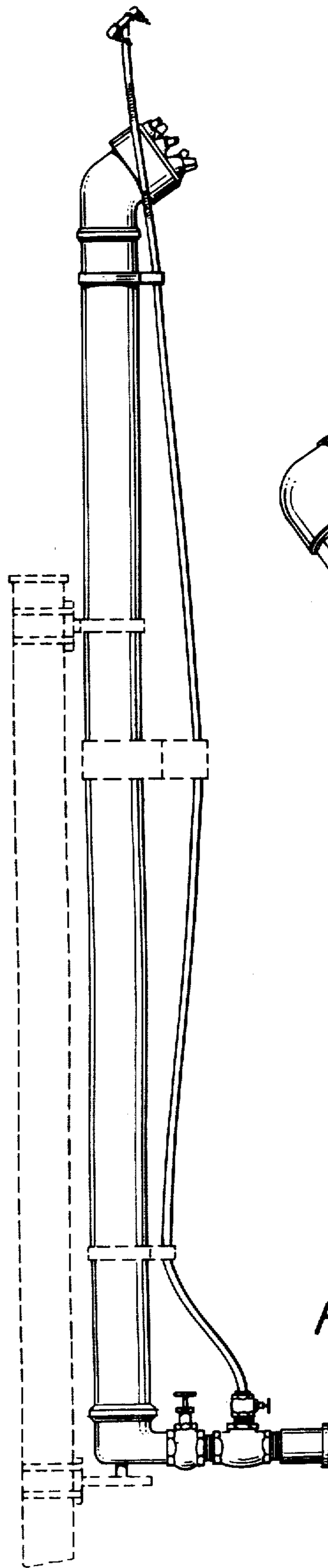


FIG. 4.

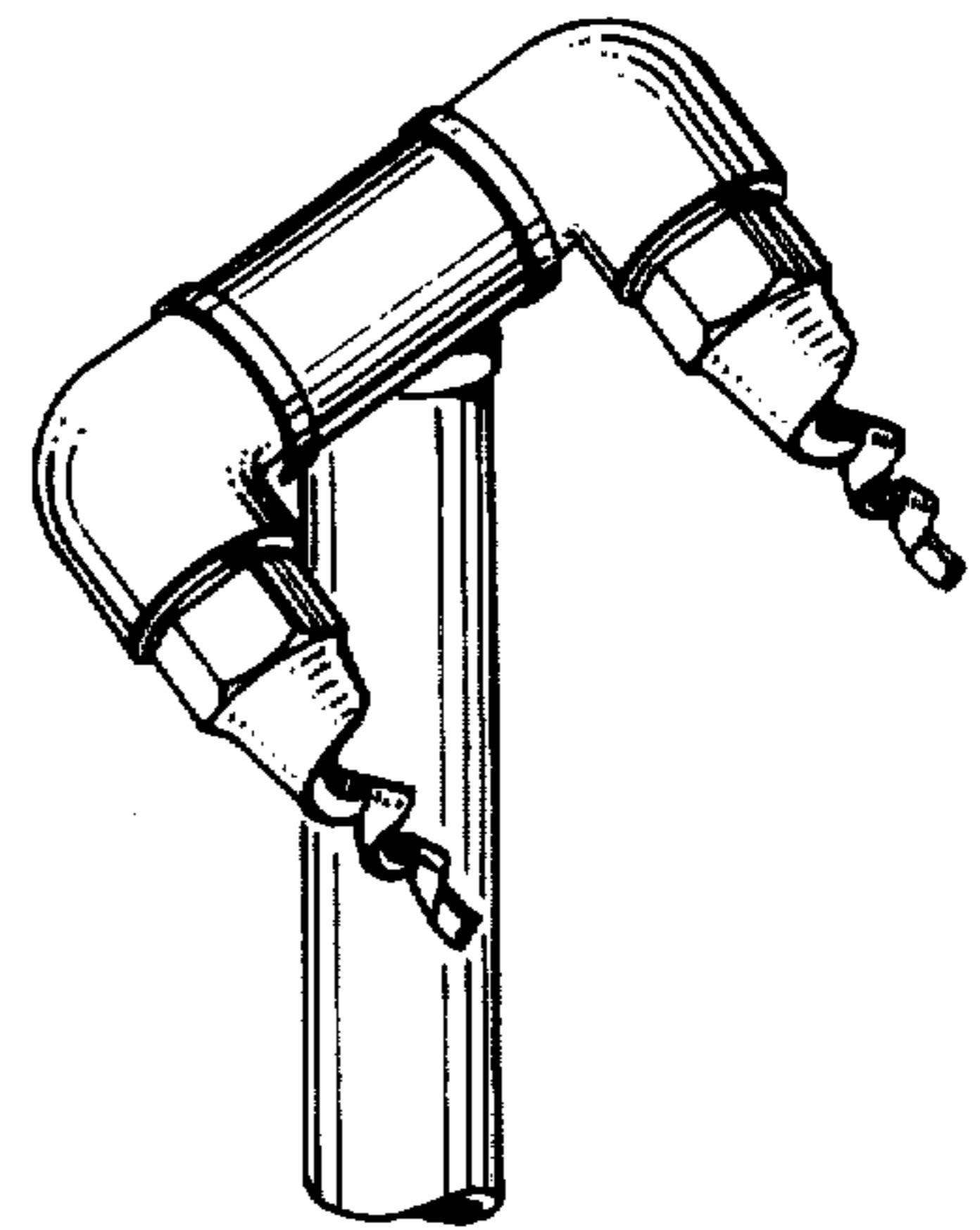


FIG. 5.