

[54] LIQUID SPRAYER

[75] Inventors: Donald R. Anderson; Iven R. Norstrud; John H. Threlkeld, all of Britt, Iowa

[73] Assignee: Britt Tech Corporation, Britt, Iowa

[**] Term: 14 Years

[21] Appl. No.: 225,195

[22] Filed: Jan. 15, 1981

[51] Int. Cl. D23-01

[52] U.S. Cl. D23/18

[58] Field of Search D23/17, 18; 239/143, 239/286, 287

[56] References Cited

U.S. PATENT DOCUMENTS

D. 231,785	6/1974	Thompson	D23/18
D. 232,938	9/1974	Hettich et al.	D23/18 X
D. 234,513	3/1975	Kommers	D23/18 X
D. 234,514	3/1975	Kommers	D23/18 X
D. 235,996	7/1975	Schneider	D23/18 X
D. 241,439	9/1976	Ware et al.	D23/18 X
2,723,860	11/1955	Weeks	

3,648,935	3/1972	Waldrum	..
3,856,211	12/1974	Williams	..
3,993,225	11/1976	Manni	..
3,994,438	11/1976	Farmery	..
4,006,858	2/1977	Farmery	..
4,185,782	1/1980	Belrose	..

OTHER PUBLICATIONS

Hardware Age, Nov. 1958, p. 30, top and center left items.

Primary Examiner—James R. Largen
Attorney, Agent, or Firm—Schroeder, Siegfried, Vidas & Arrett

[57] CLAIM

The ornamental design for a liquid sprayer, as shown and described.

DESCRIPTION

FIG. 1 is a front elevational view of a liquid sprayer embodying our new design; FIG. 2 is a right side elevational view thereof, the left side being a mirror image of the right side shown; FIG. 3 is a rear elevational view thereof; FIG. 4 is a top plan view thereof; and FIG. 5 is a bottom plan view thereof.

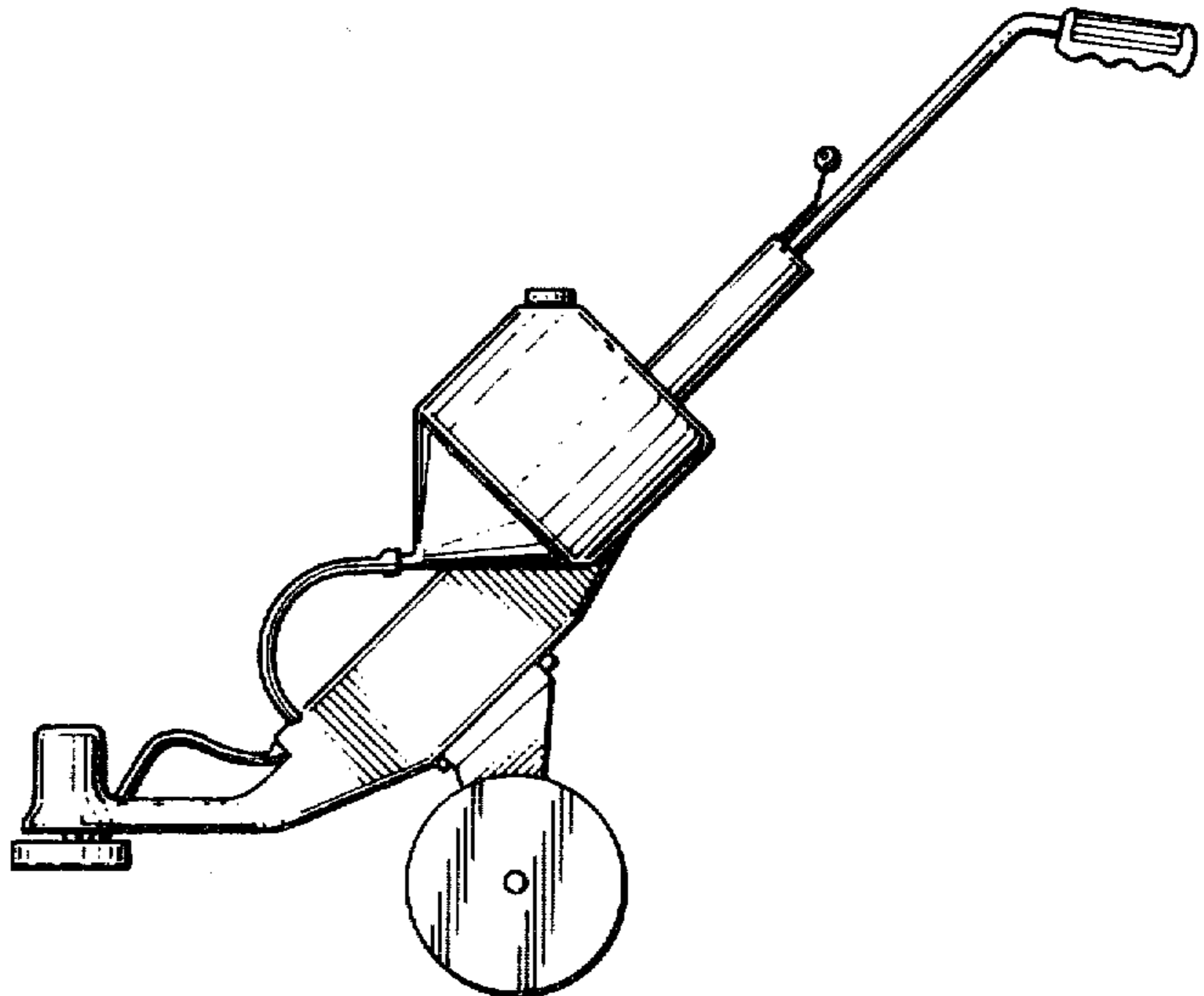
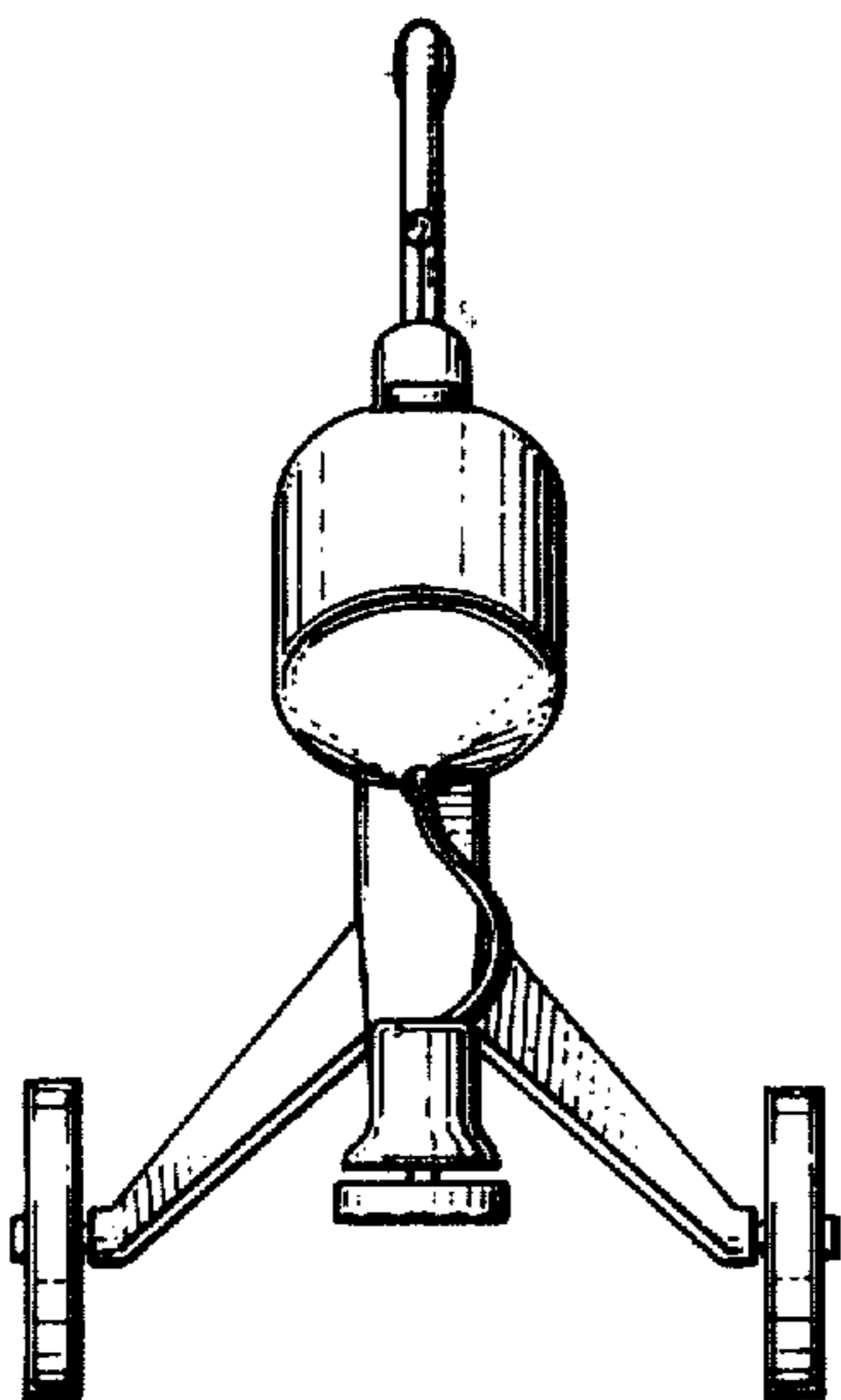


Fig. 1

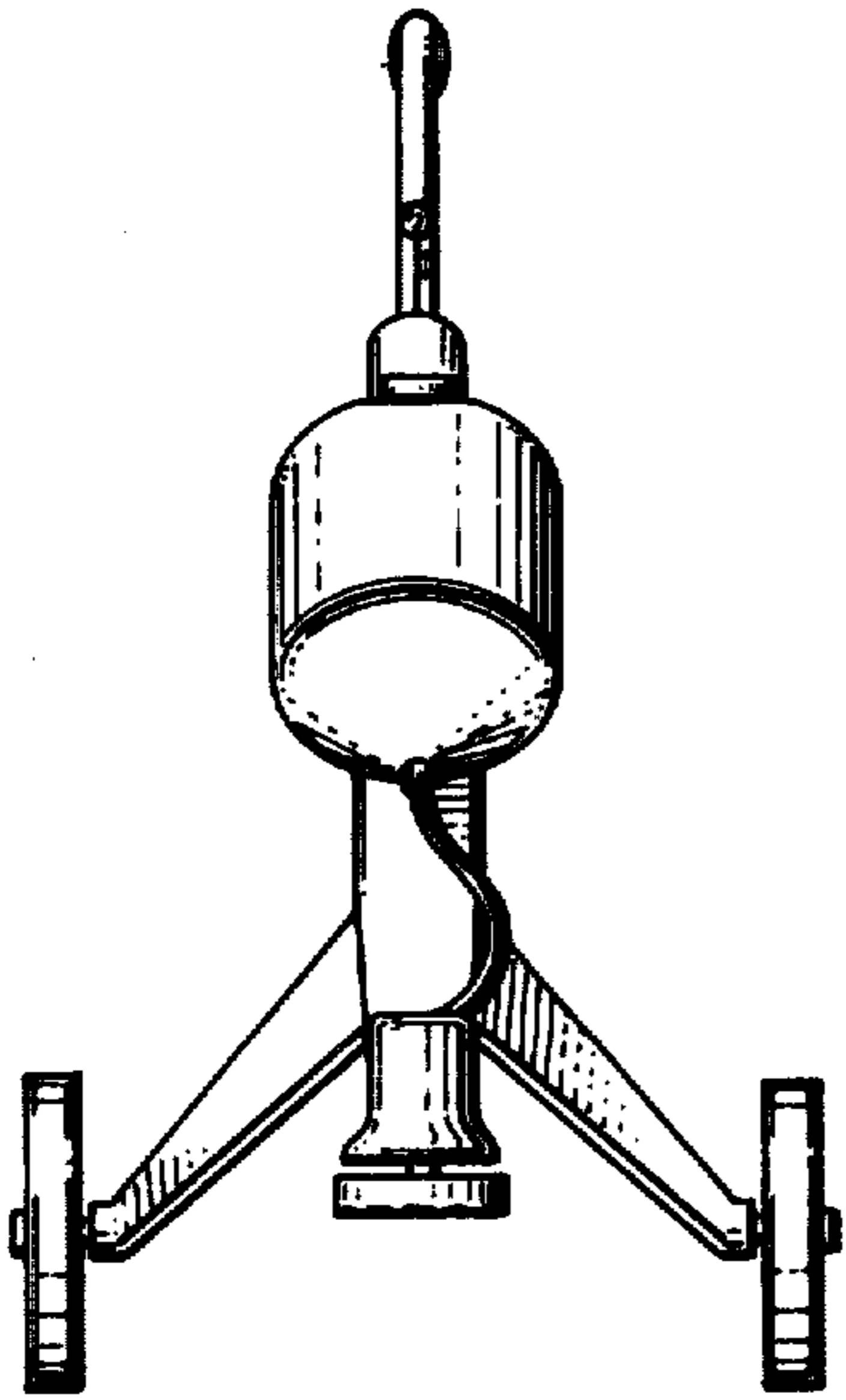


Fig. 2

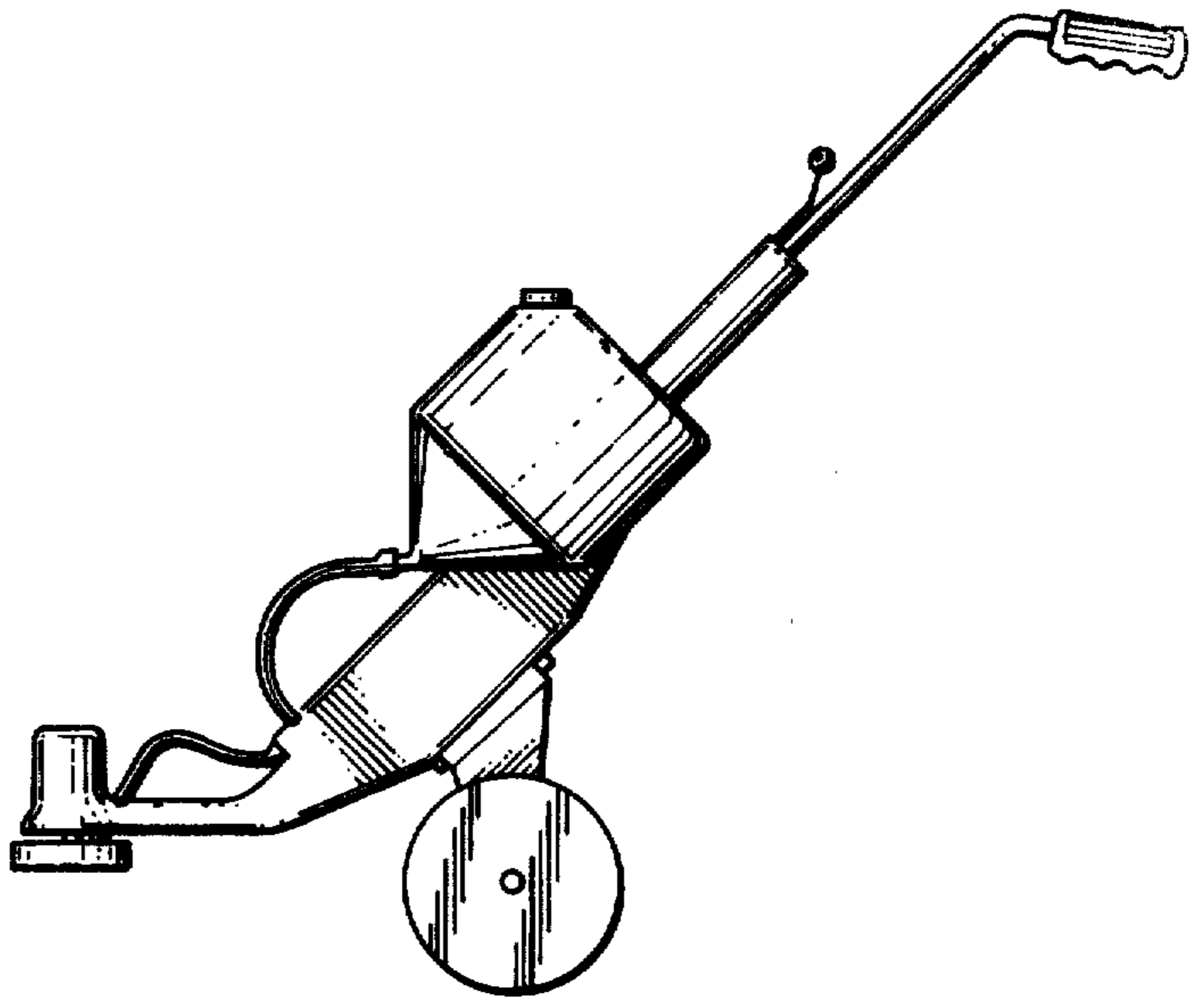


Fig. 3

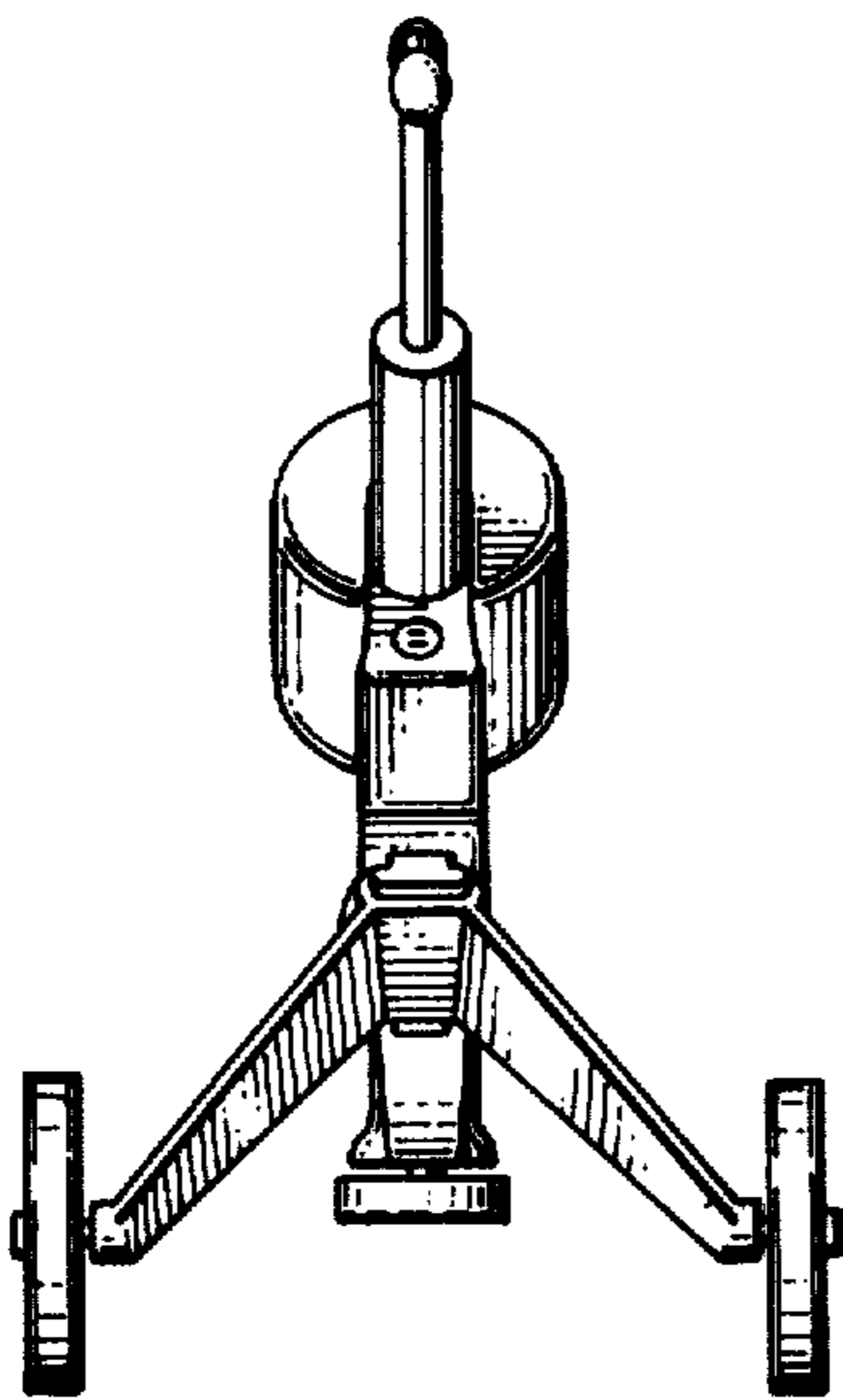


Fig. 4

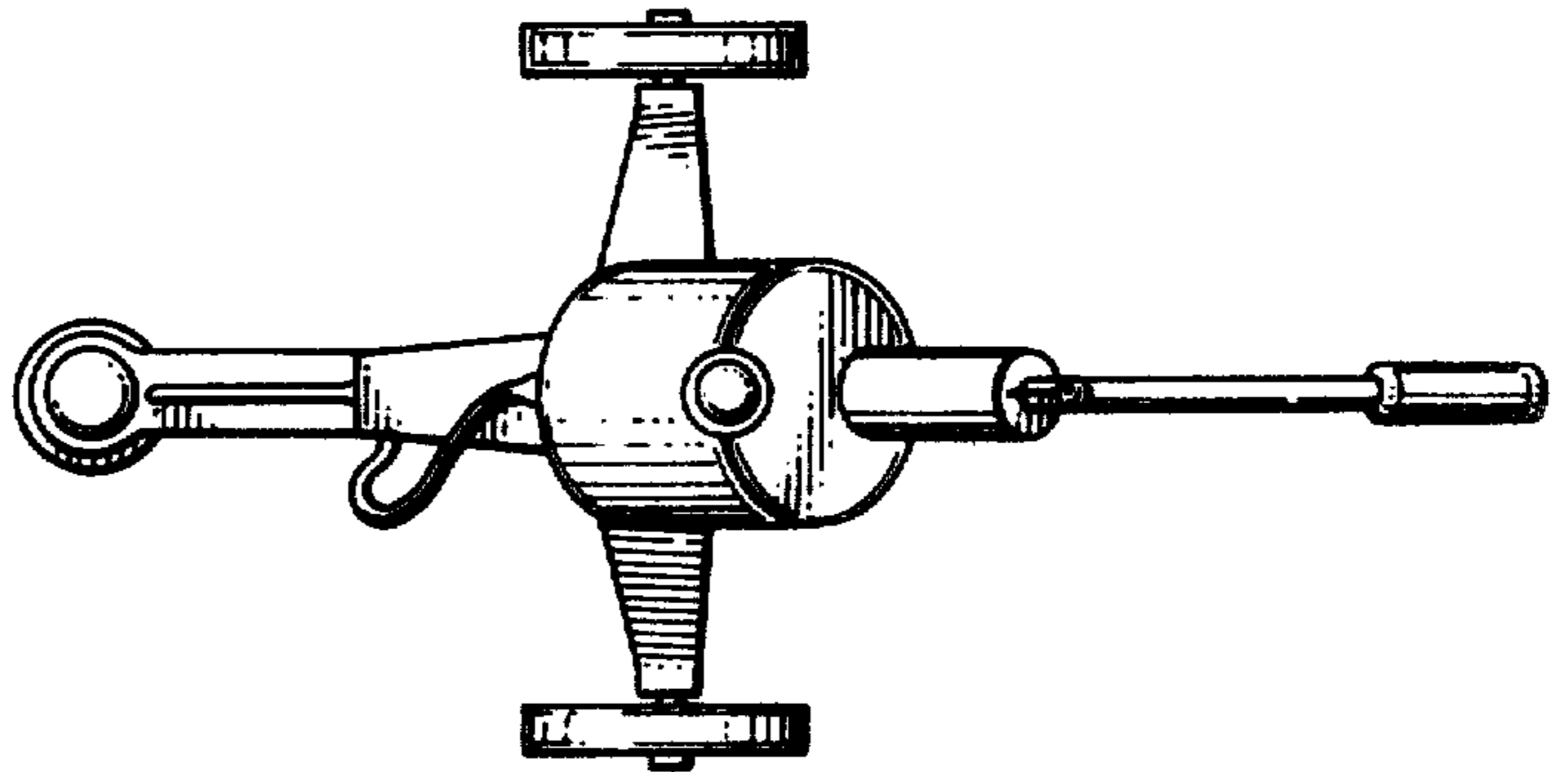


Fig. 5

