

[54] **KICKING TEE**
[76] **Inventor:** William R. Pomerenke, 1391 W.
Arrow Hwy., Upland, Calif. 91786
[**] **Term:** 14 Years
[21] **Appl. No.:** 282,941
[22] **Filed:** Jul. 13, 1981
[51] **Int. Cl.** D21—02; D11—02
[52] **U.S. Cl.** D21/209; D11/152
[58] **Field of Search** D21/209, 208; 273/55 B;
D7/68, 22; D11/152, 143; D9/370

[56] **References Cited**
U.S. PATENT DOCUMENTS
D. 147,737 10/1947 Stone D7/68

1,604,390 10/1926 Coker D21/208
3,158,957 12/1964 Sierke D11/152

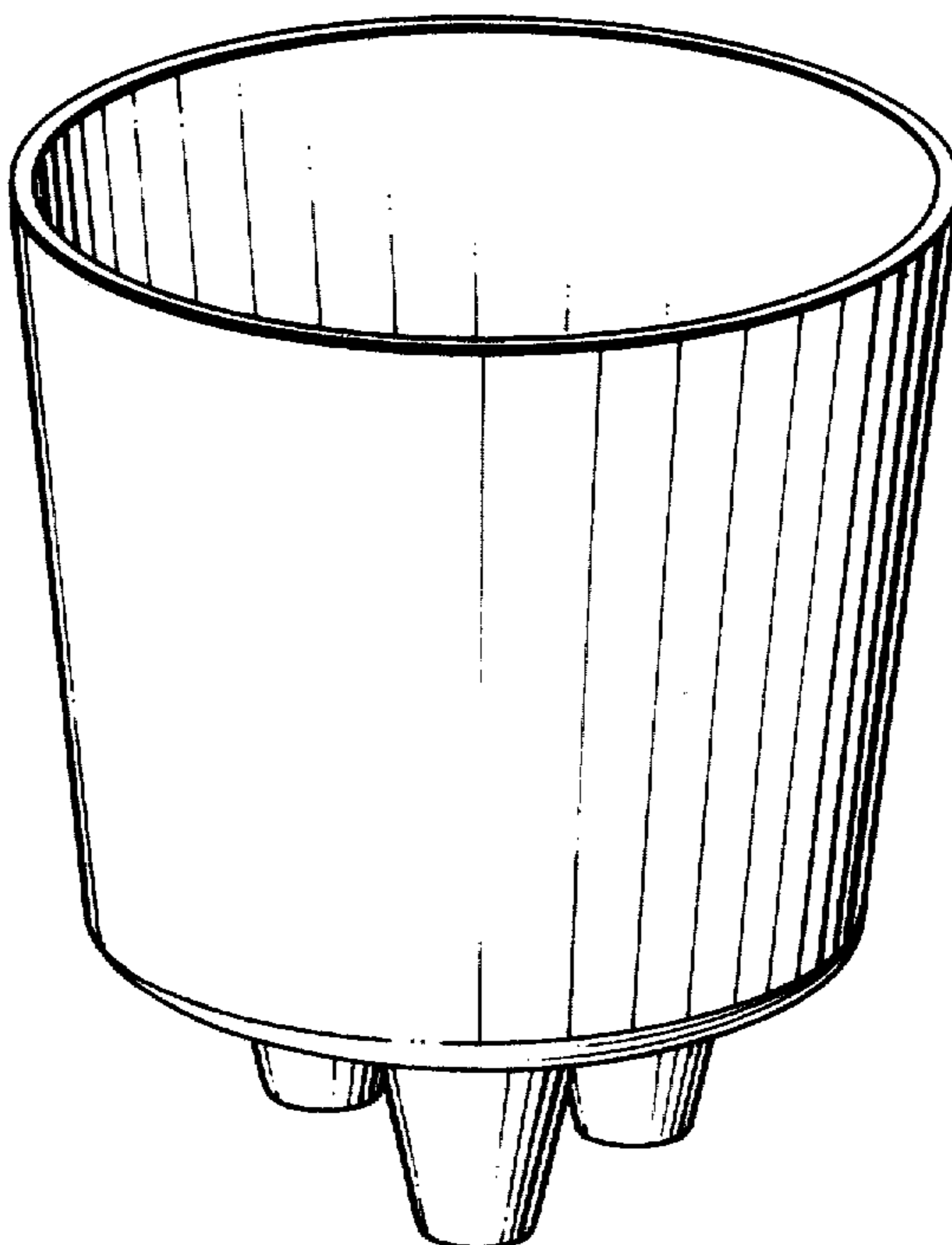
Primary Examiner—Melvin B. Feifer
Attorney, Agent, or Firm—Lyon & Lyon

[57] **CLAIM**

The ornamental design for a kicking tee, as shown and described.

DESCRIPTION

FIG. 1 is a perspective view of a kicking tee showing my new design;
FIG. 2 is an elevation view of a kicking tee of the present design;
FIG. 3 is a top view of a kicking tee of the present design;
FIG. 4 is a bottom view of a kicking tee of the present design.



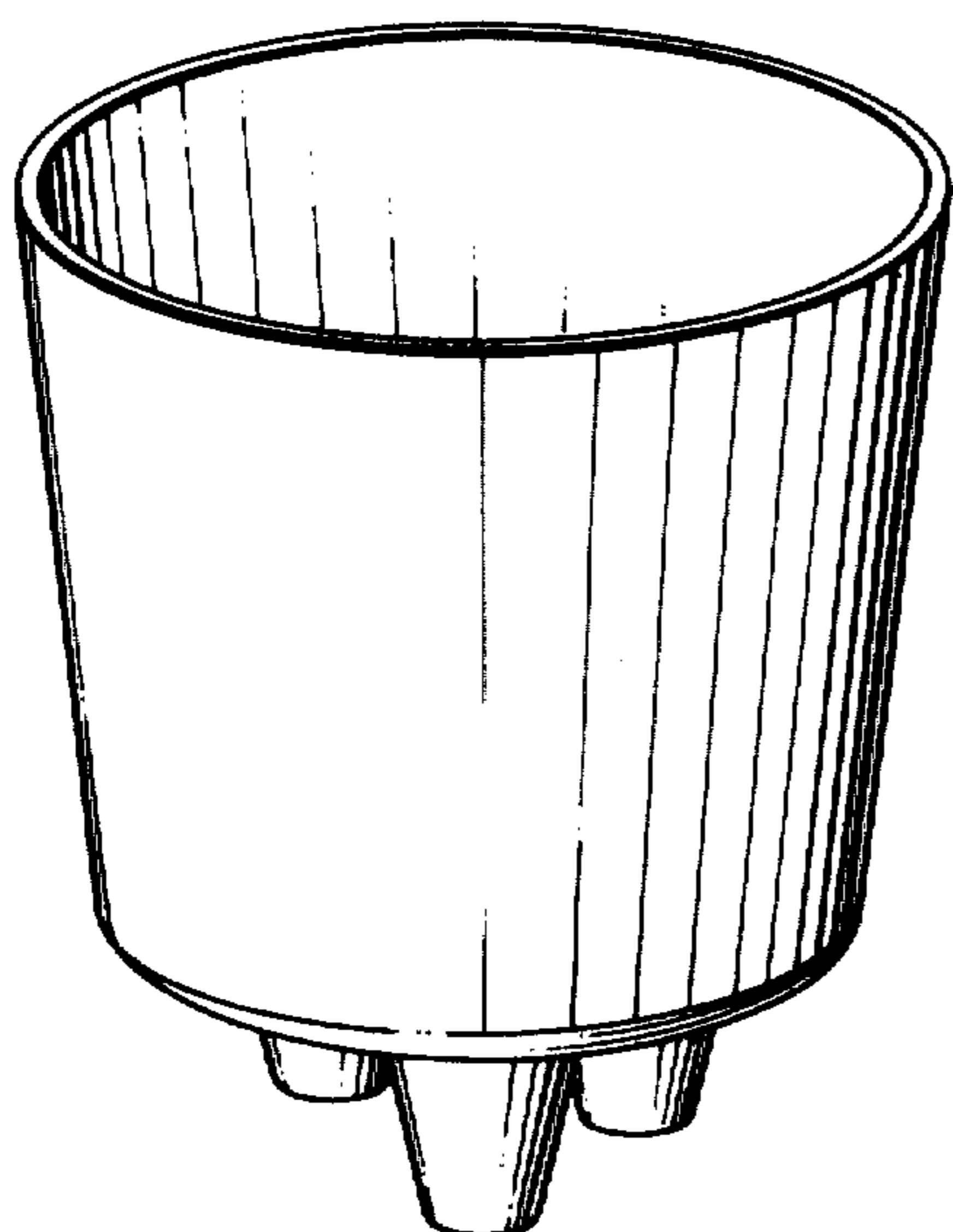


FIG. 1.

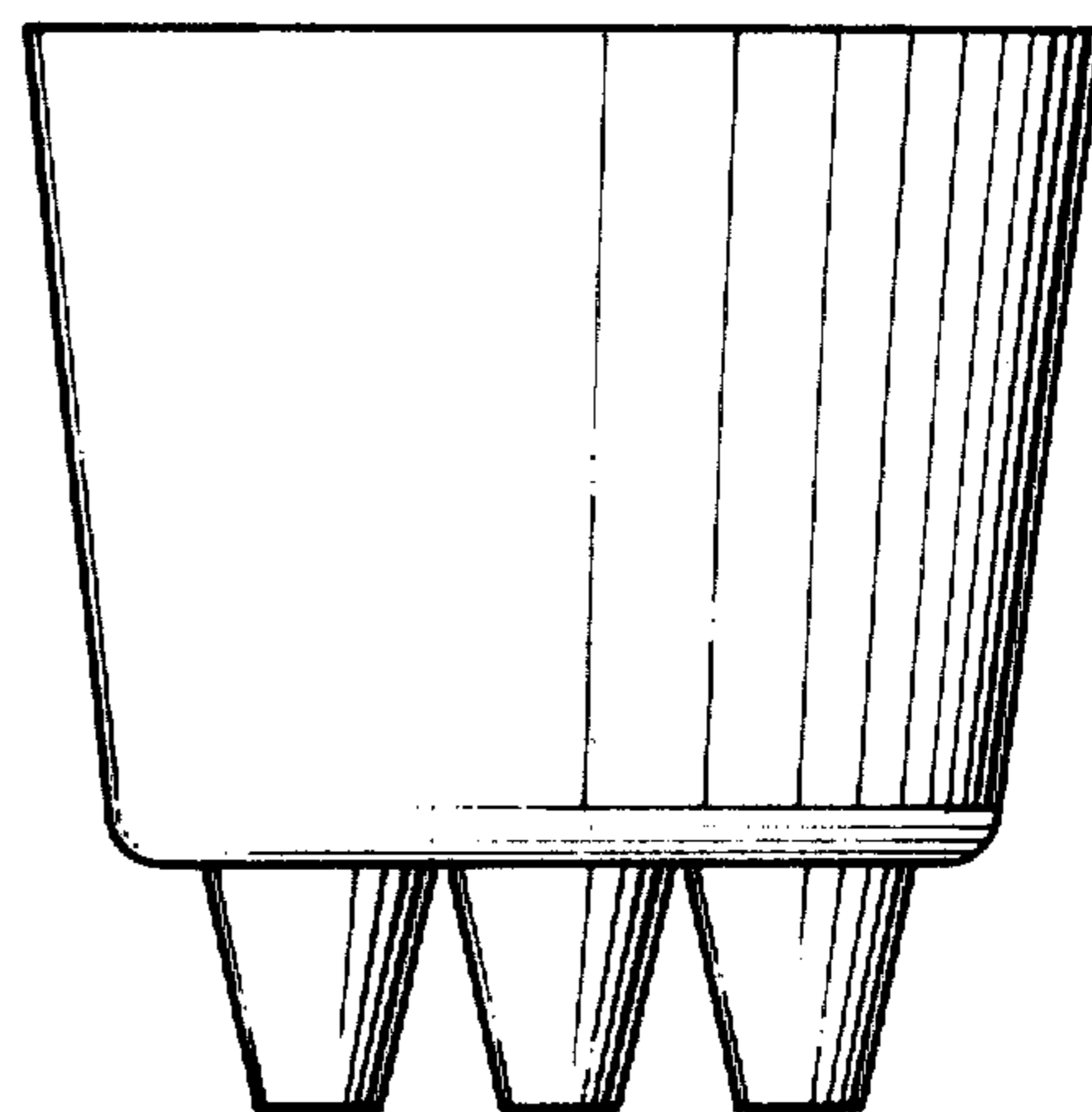


FIG. 2.

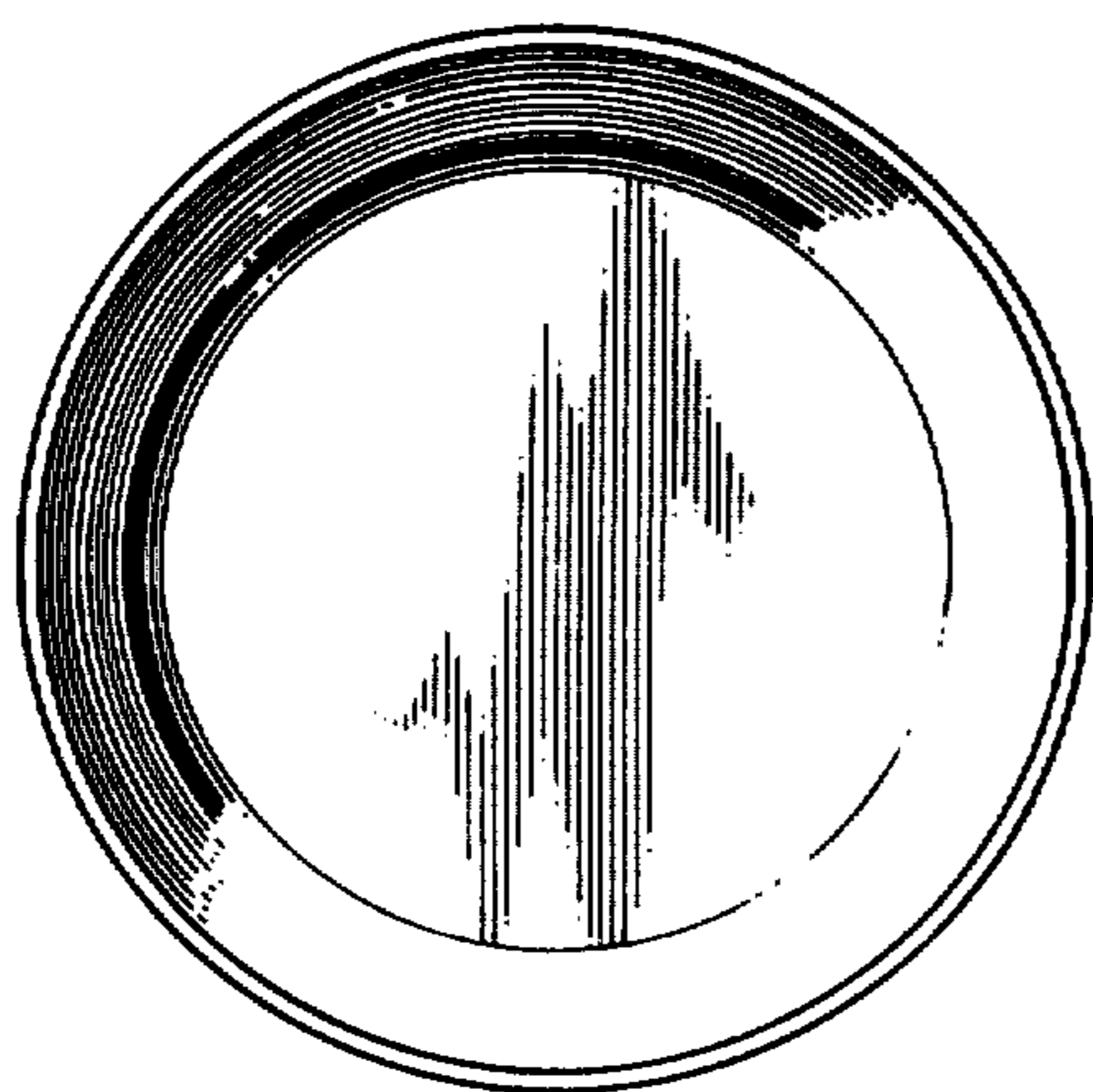


FIG. 3.

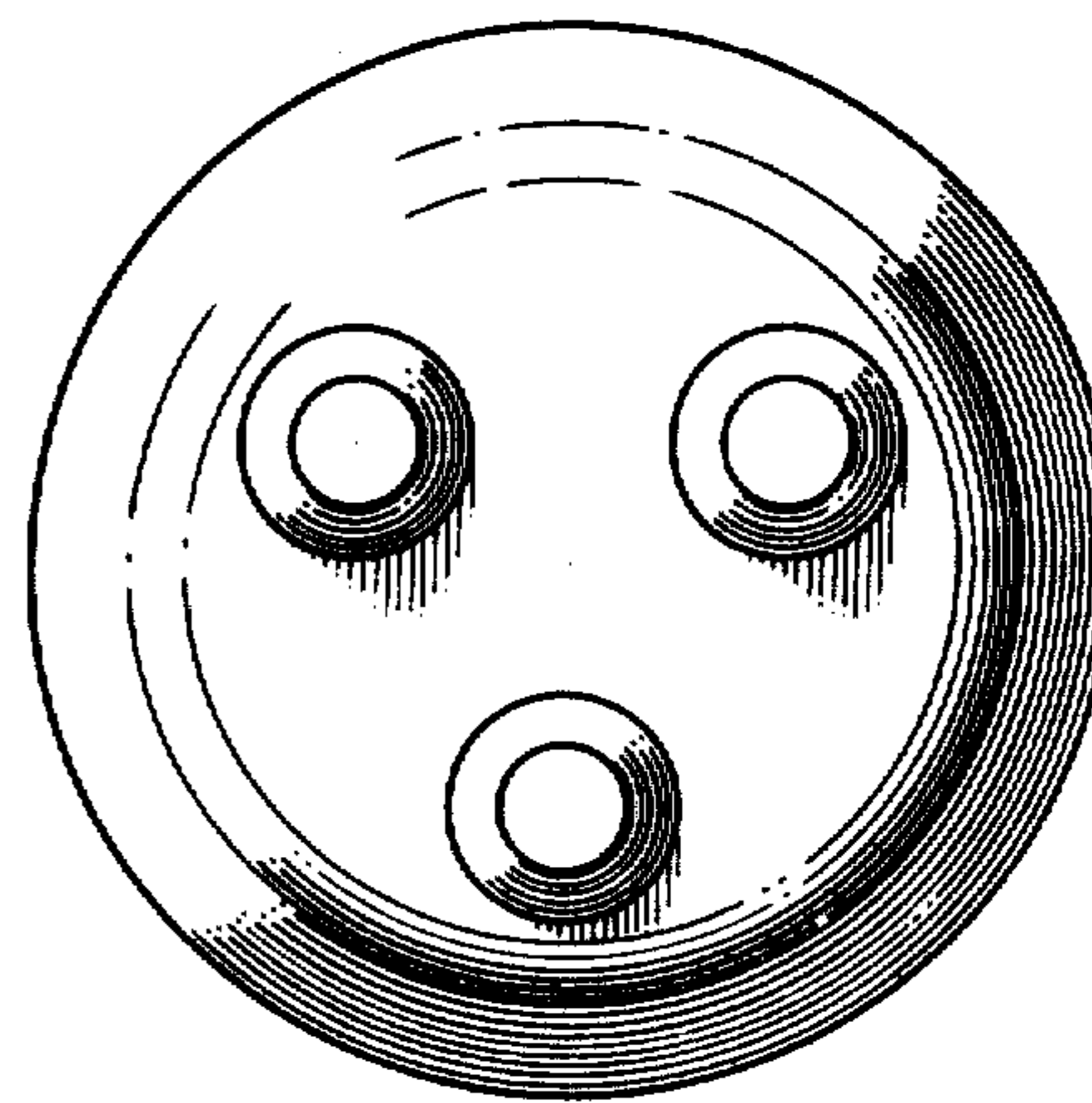


FIG. 4.