

[54] WAIST CLIP FOR PHYSICAL EXERCISER

[76] Inventor: Cressie E. Holcombe, Jr., 1613 Blackwood Dr., Knoxville, Tenn. 37919

[\*\*] Term: 14 Years

[21] Appl. No.: 216,568

[22] Filed: Dec. 15, 1980

[51] Int. Cl. .... D21-02

[52] U.S. Cl. .... D21/191

[58] Field of Search ..... D21/191-199; 272/68, 141, 140, 67, 74, 119, 139, 121, 72 R; 46/51, 47, 1 R, 220; D2/407, 428, 452; D19/56.65; 224/904

[56] References Cited

U.S. PATENT DOCUMENTS

D. 24,796 10/1895 Sulzner ..... D2/428

1,022,791	4/1912	Laird	.....	224/904
2,835,944	5/1958	Johnston	.....	224/904
2,926,911	3/1960	Reichel	.....	D21/198
4,049,264	9/1977	Holcombe	.....	272/74

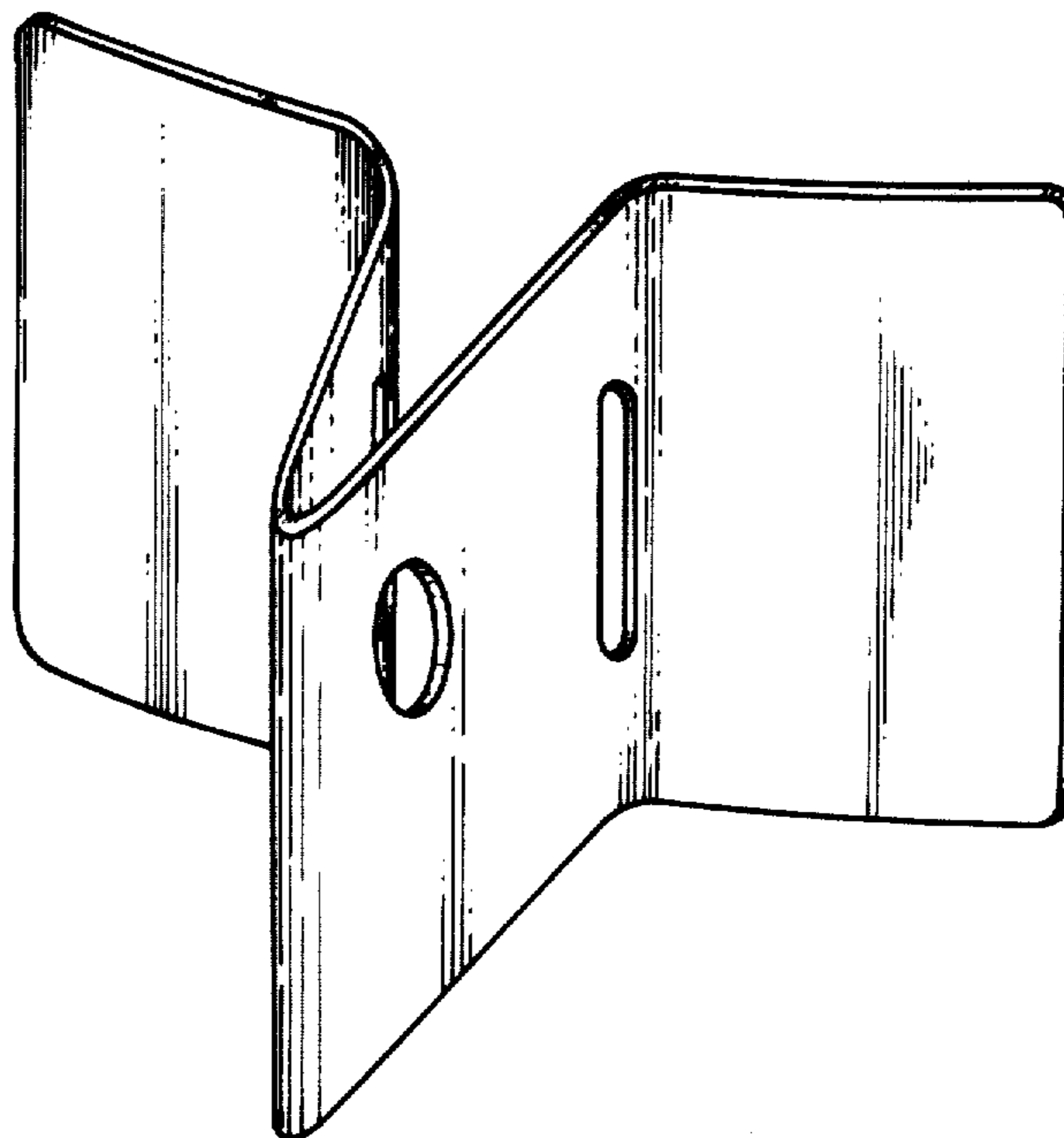
Primary Examiner—Charles A. Rademaker  
Attorney, Agent, or Firm—Martin J. Skinner

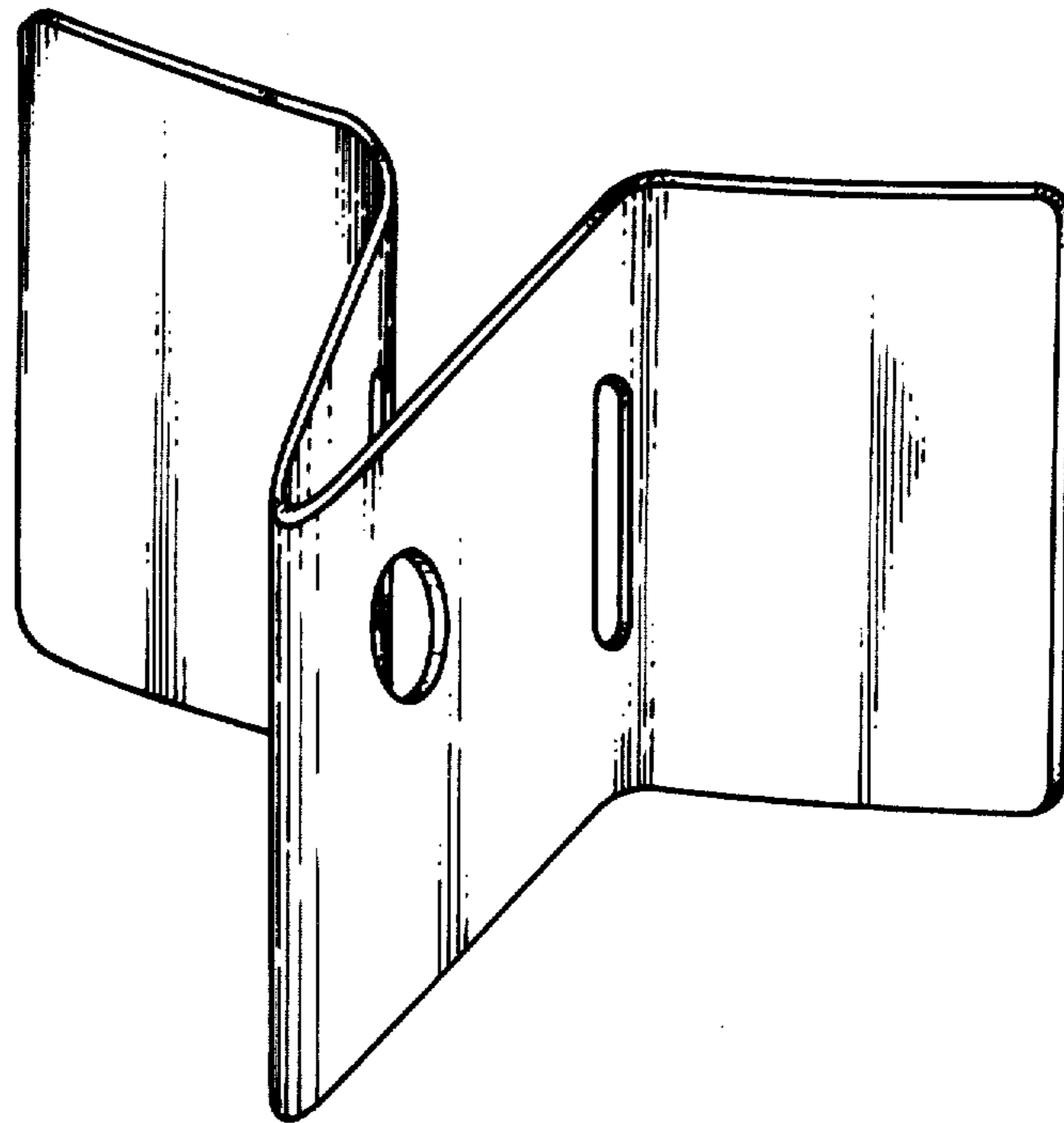
[57] CLAIM

The ornamental design for a waist clip for physical exerciser, substantially as shown and described.

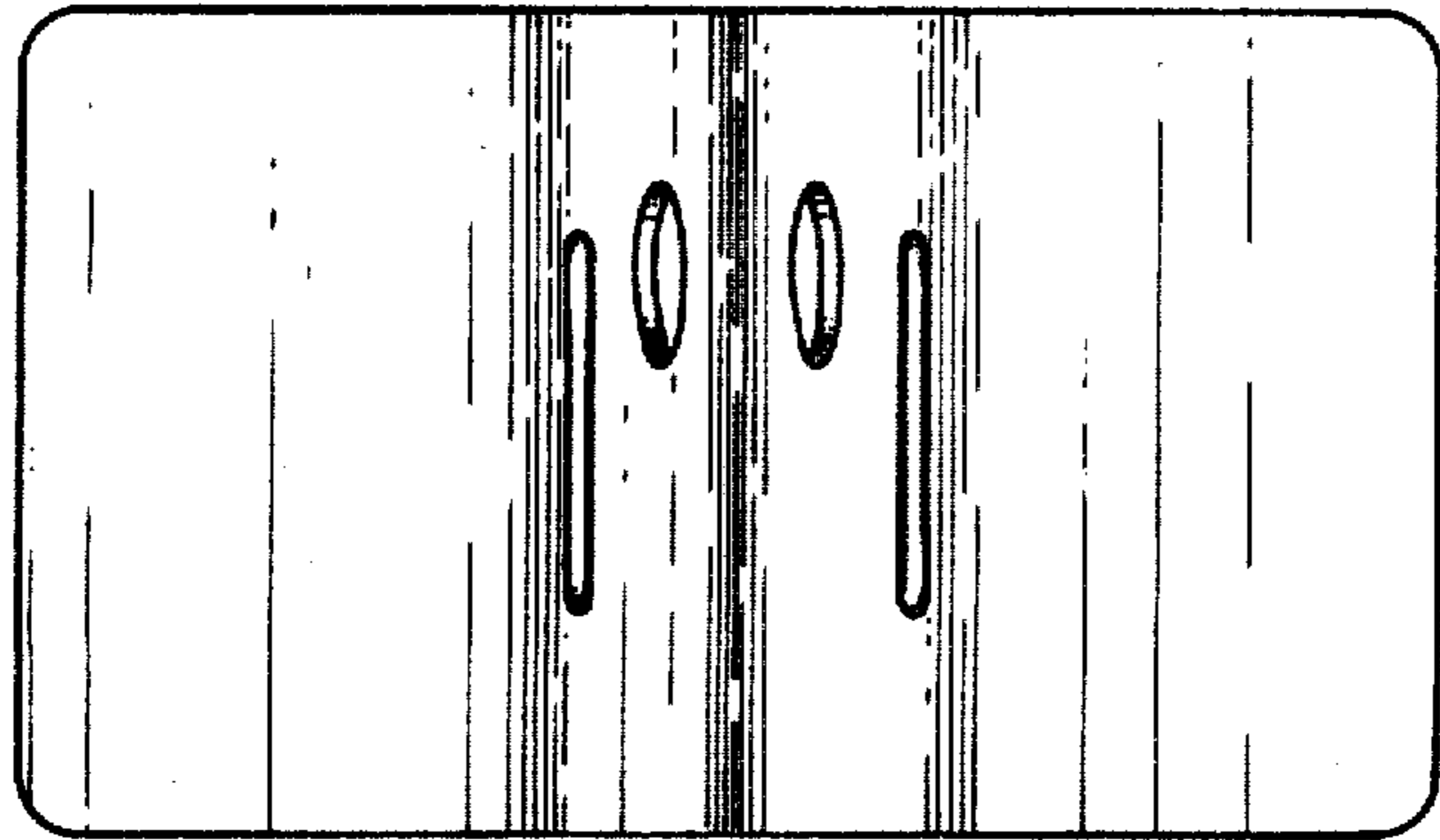
DESCRIPTION

FIG. 1 is a perspective view of a waist clip for physical exerciser showing my new design; FIG. 2 is a front elevational view thereof; FIG. 3 is a rear elevational view thereof; FIG. 4 is a top plan view thereof, the bottom plan aspect being substantially a mirror image; FIG. 5 is a left end elevational view thereof; and FIG. 6 is a right end elevational view thereof.

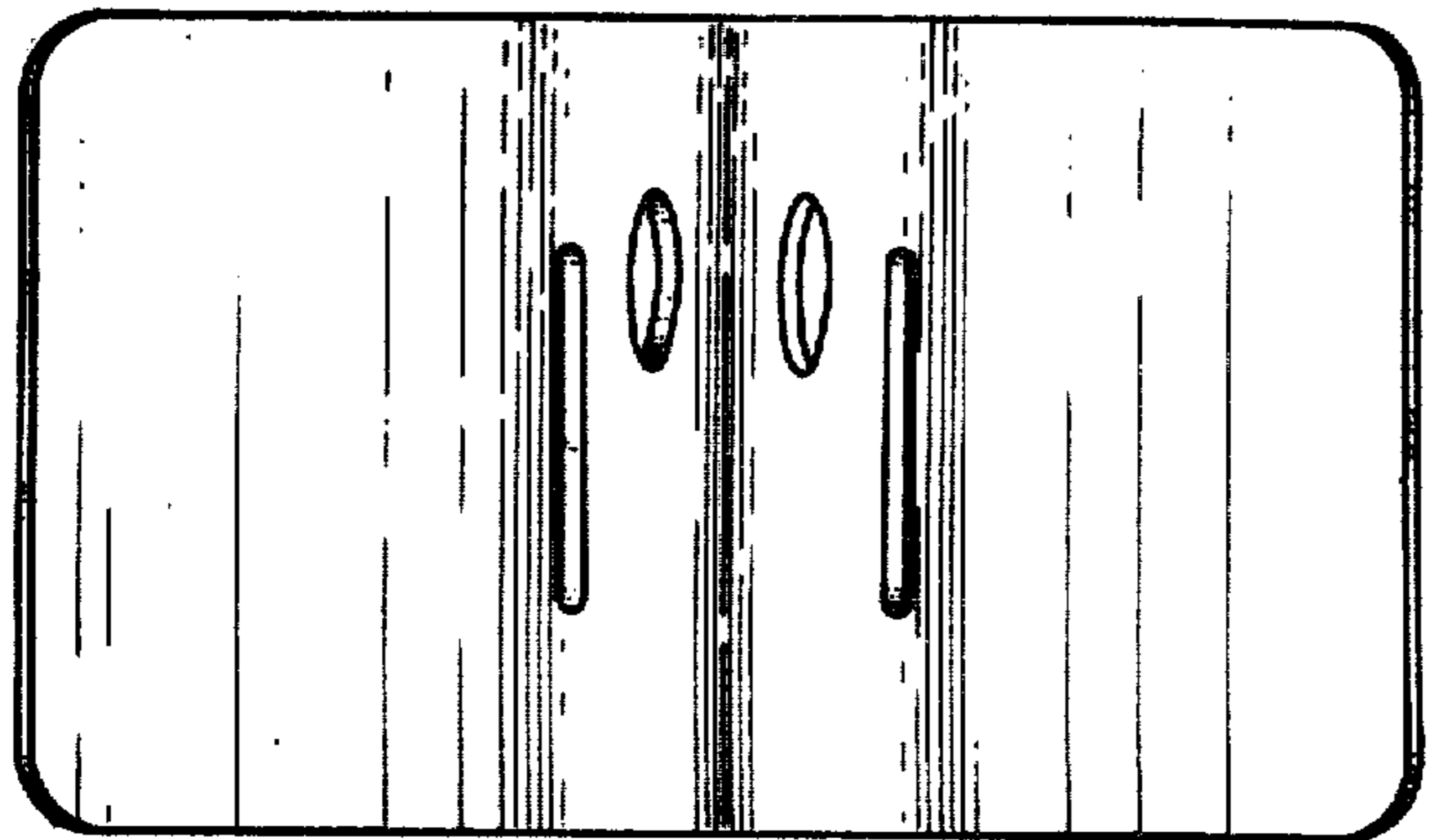




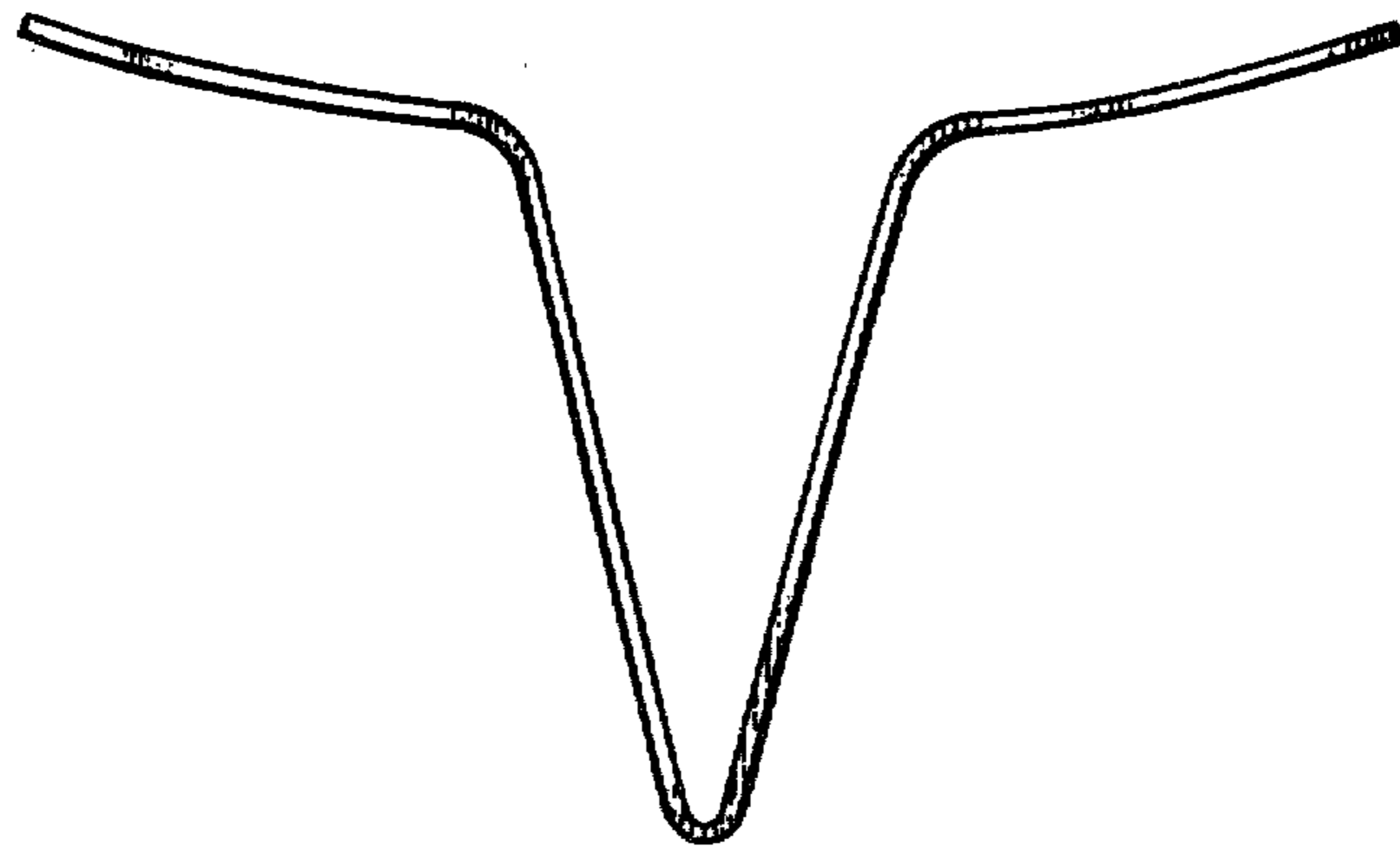
**Fig. 1**



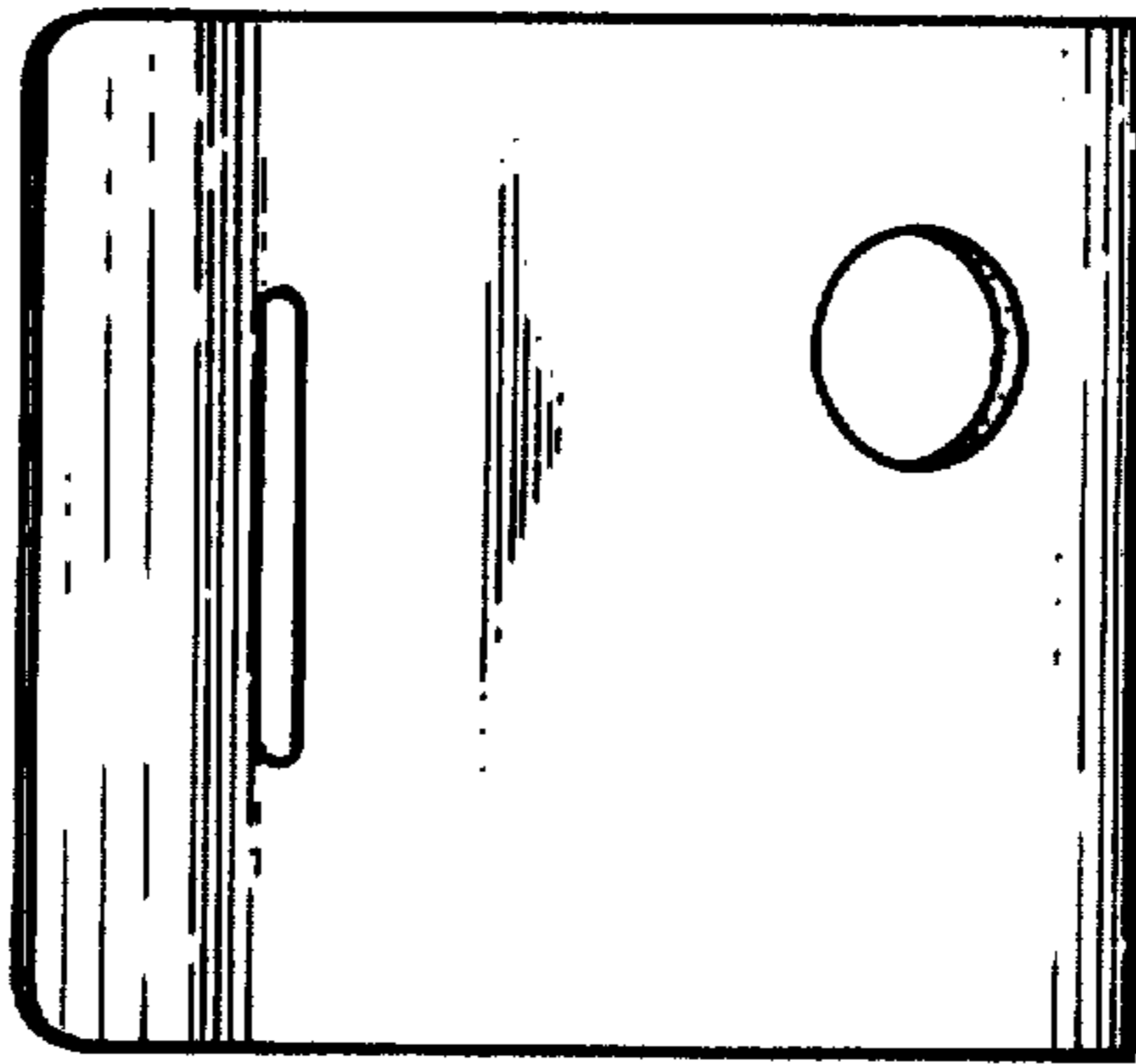
**Fig. 2**



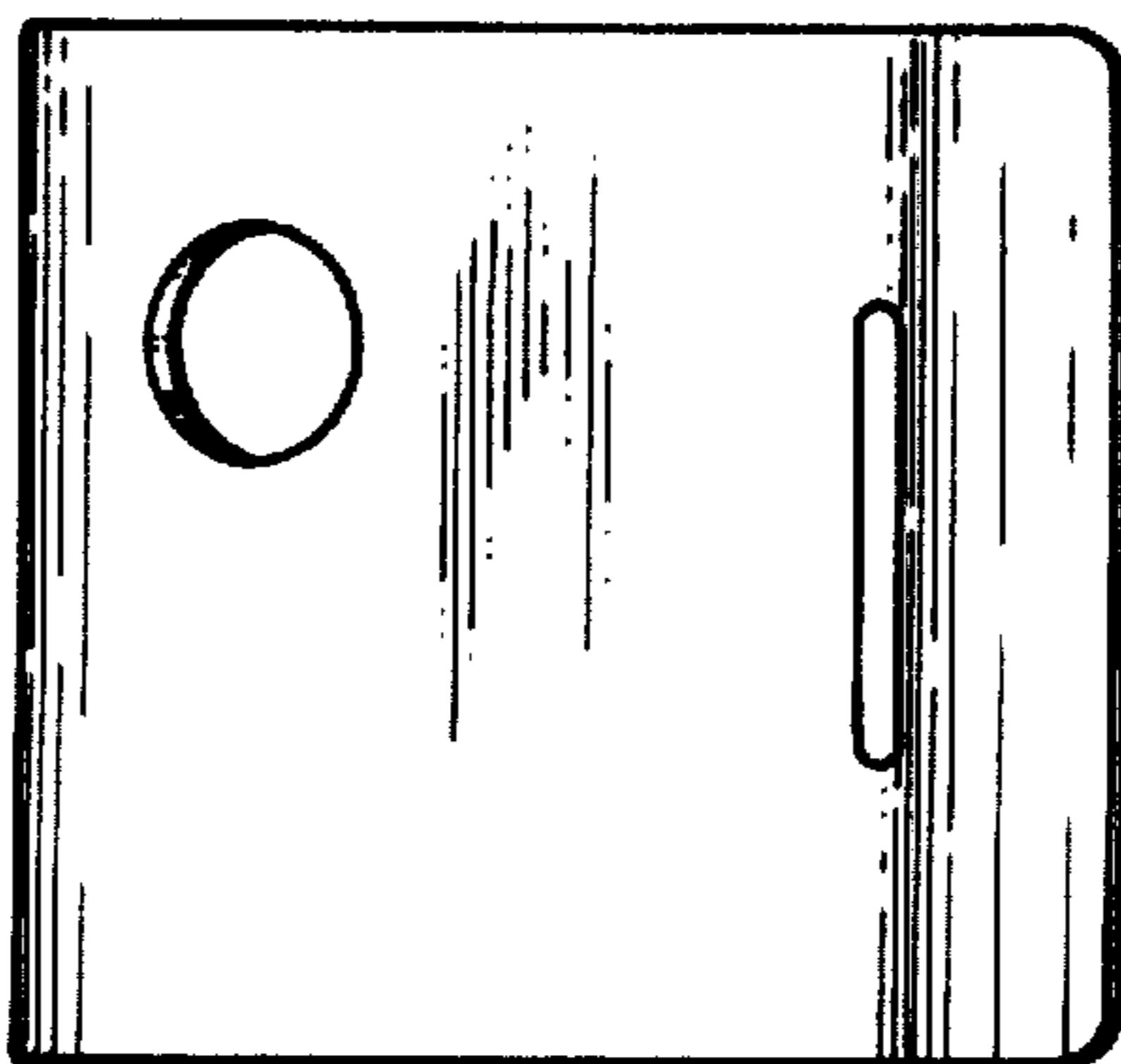
**Fig. 3**



**Fig. 4**



**Fig. 5**



**Fig. 6**