

[54] **PREPROGRAMMED TOY SOUND GENERATOR**

[75] Inventors: **Dietmar Nagel, Chester, N.J.; Andrew Lowinger, Brooklyn, N.Y.; Peter Roegner, Far Hills, N.J.**

[73] Assignee: **North American Foreign Trading Corporation, New York, N.Y.**

[**] Term: **14 Years**

[21] Appl. No.: **224,752**

[22] Filed: **Jan. 13, 1981**

[51] Int. Cl. **D19—07**

[52] U.S. Cl. **D19/60; D10/46; D13/12; D17/1; D21/64**

[58] Field of Search **D19/60, 62; D17/1; D21/1, 64; D13/12; D18/7; 273/74; 434/323, 324, 340; D10/46, 106**

[56] **References Cited**

U.S. PATENT DOCUMENTS

D. 234,466 3/1975 Kitai D18/7

D. 240,832 8/1976 Beitler et al. D18/7
D. 247,002 1/1978 Katoh D21/1
D. 258,654 3/1981 Levy D18/7 X
3,739,069 6/1973 Sandmeier 434/324

Primary Examiner—Bruce W. Dunkins
Attorney, Agent, or Firm—Antonelli, Terry & Wands

[57] **CLAIM**

The ornamental design for a preprogrammed toy sound generator, substantially as shown and described.

DESCRIPTION

FIG. 1 is a front perspective view showing our design of the preprogrammed toy sound generator; FIG. 2 is a front elevational view of the preprogrammed toy sound generator; FIG. 3 is a rear elevational view of the preprogrammed toy sound generator; FIG. 4 is a right-side elevational view of the preprogrammed toy sound generator; FIG. 5 is a left-side elevational view of the preprogrammed toy sound generator; and FIG. 6 is a top plan view of the preprogrammed toy sound generator.

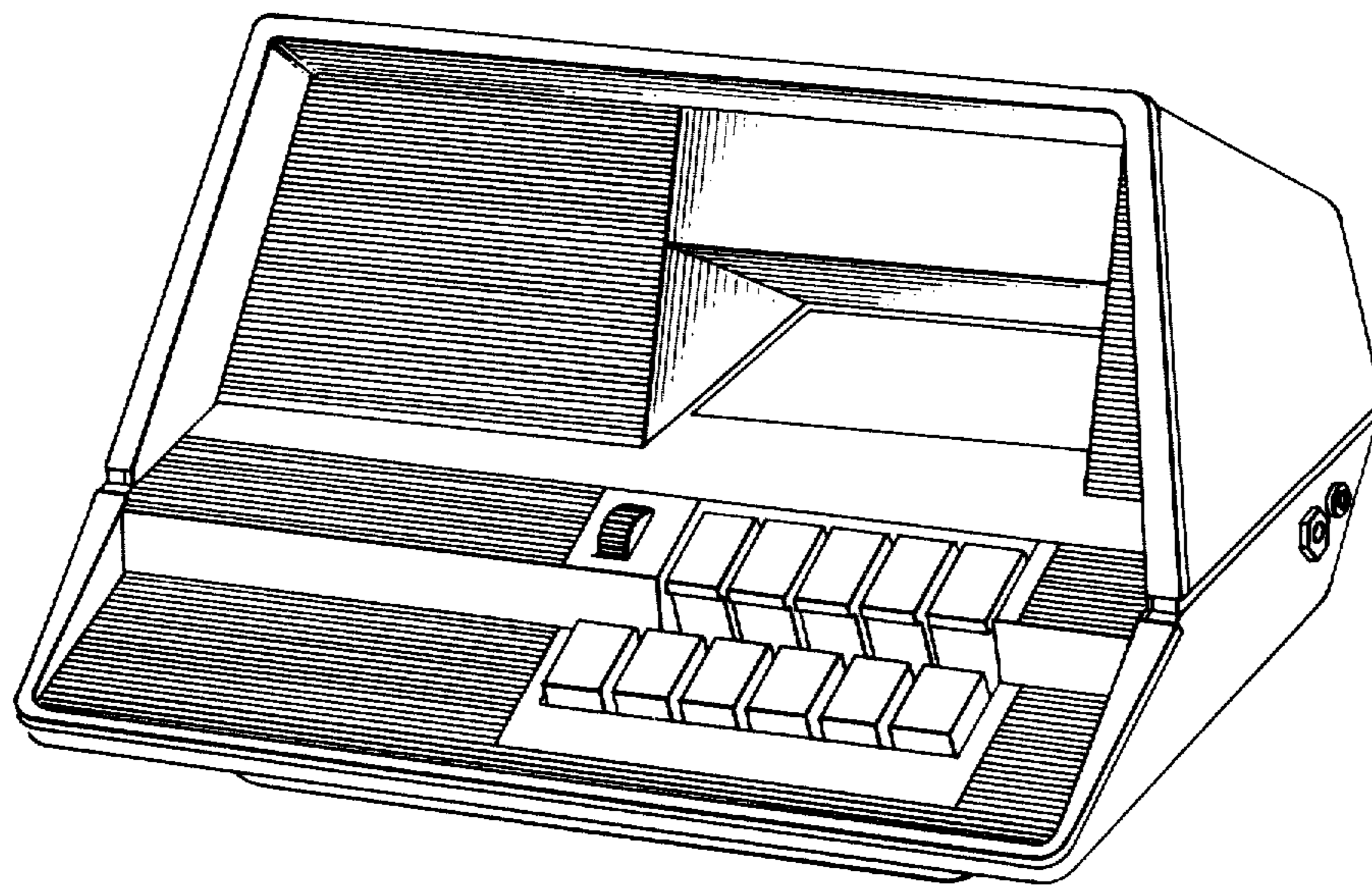


FIG. 1.

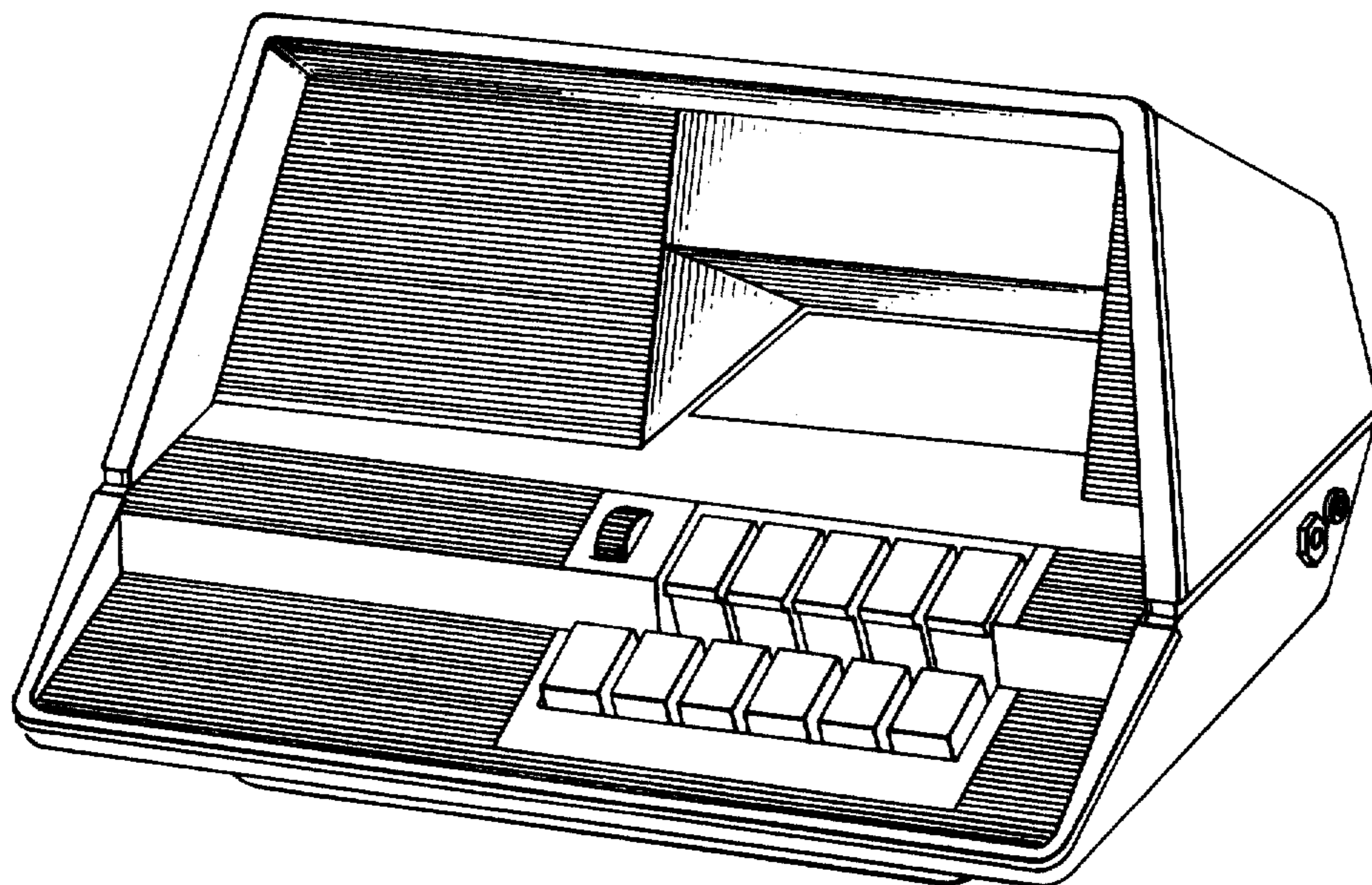


FIG. 2.

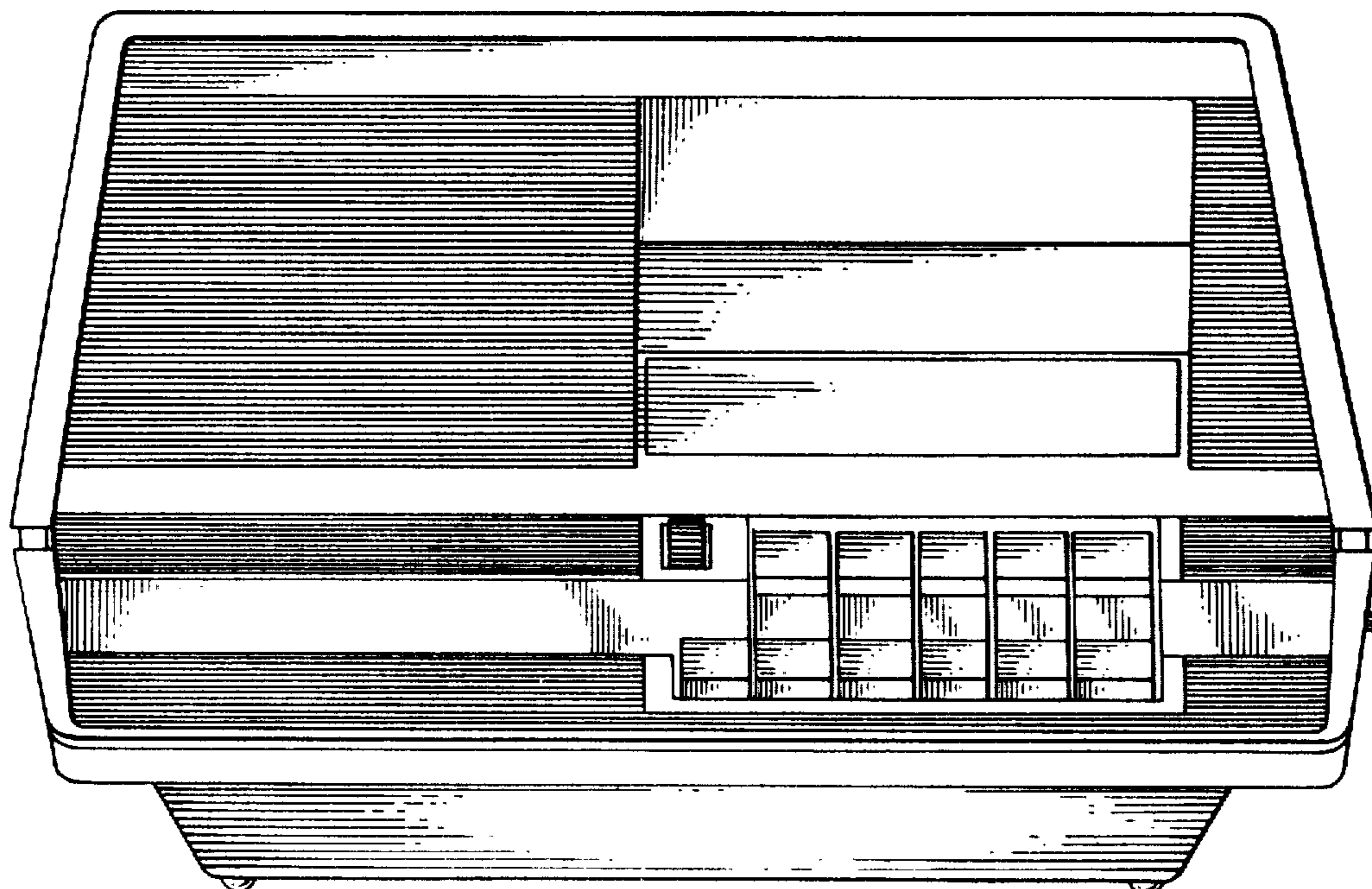


FIG. 3.

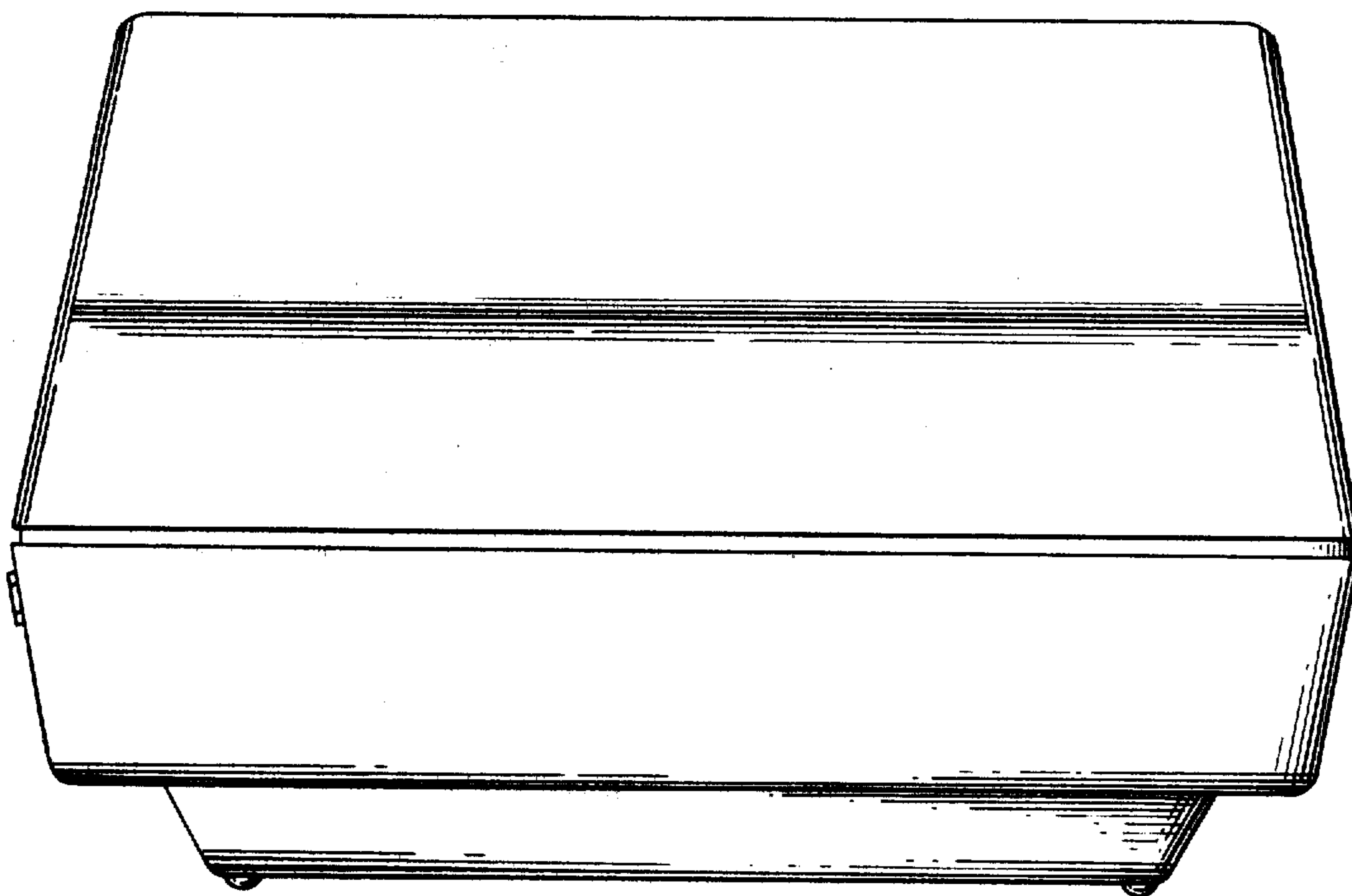


FIG. 4.

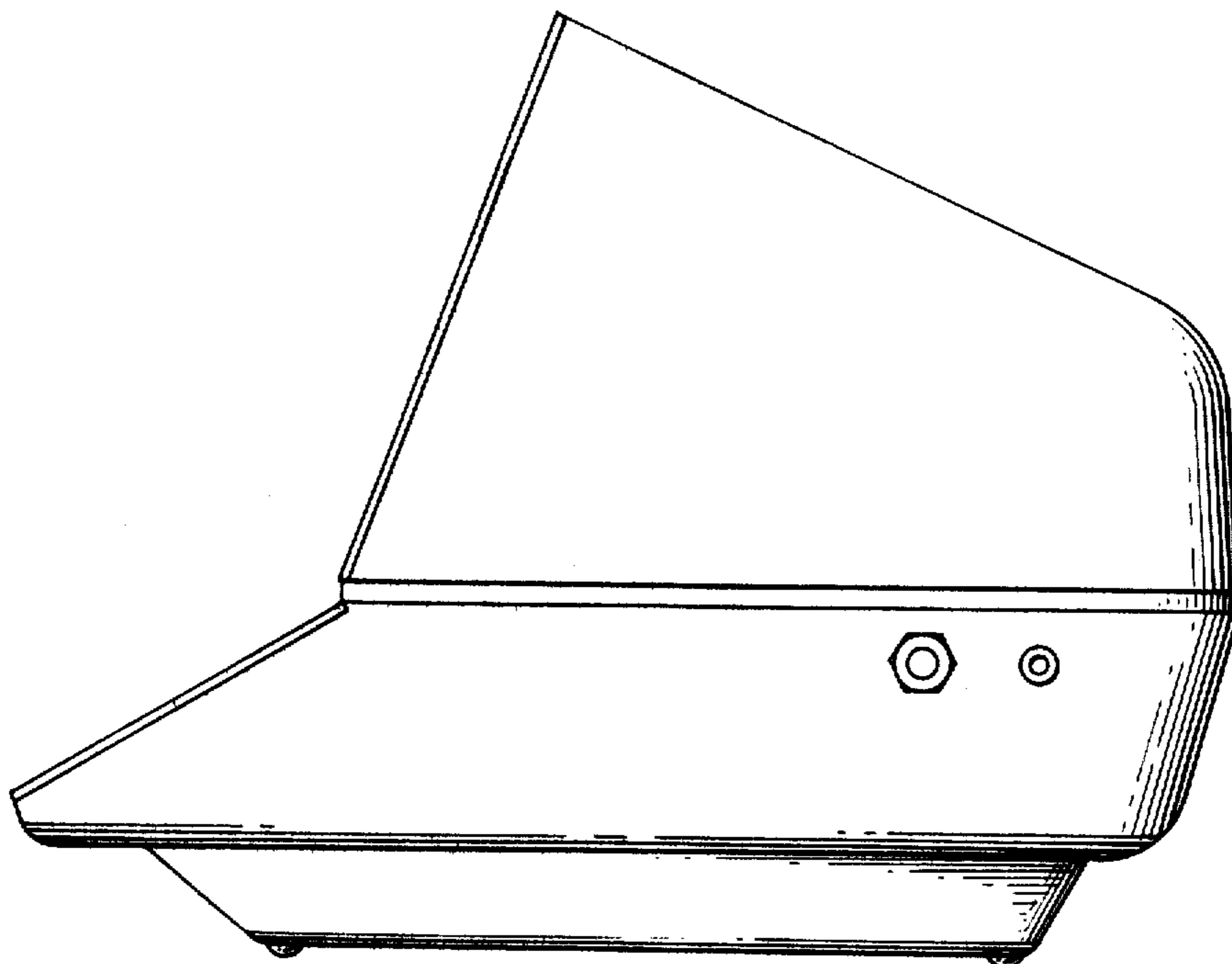


FIG. 5.

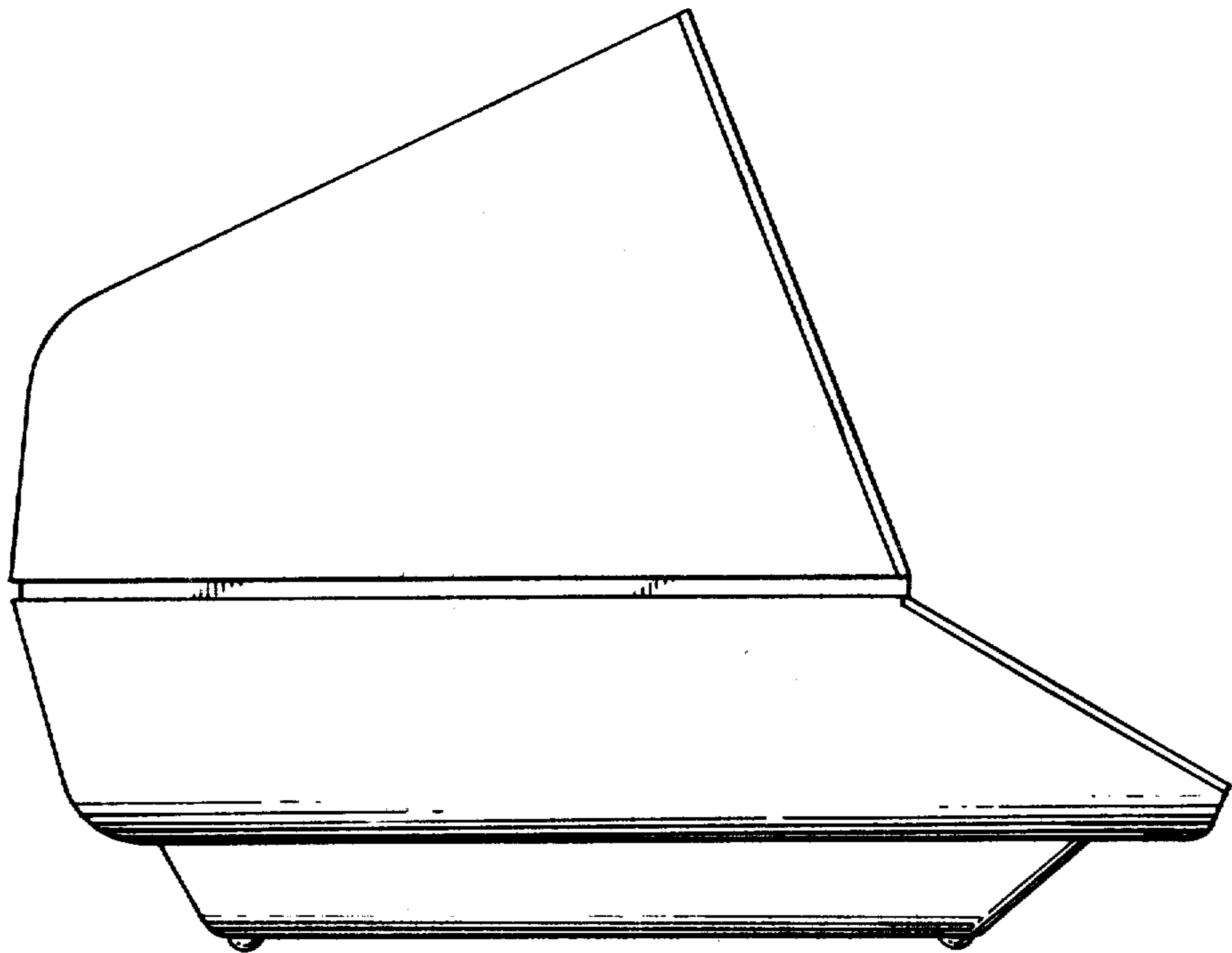


FIG. 6.

