

[54] PORTABLE LIGHT TABLE

D. 264,396 5/1982 Harvey ..... D3/30.1  
D. 265,570 7/1982 Moreau ..... D19/52

[76] Inventor: Walter C. Tripp, 400 Sunshine La.,  
Reno, Nev. 89502

Primary Examiner—George P. Word  
Attorney, Agent, or Firm—Herbert C. Schulze

[\*\*] Term: 14 Years

[57] CLAIM

[21] Appl. No.: 296,968

The ornamental design for a portable light table, as shown and described.

[22] Filed: Aug. 27, 1981

DESCRIPTION

[51] Int. Cl. .... D19-02

FIG. 1 is a perspective view of a portable light table showing my new design;

[52] U.S. Cl. .... D19/52; D3/30.1;  
D19/36; D26/58

FIG. 2 is a top plan view thereof;

[58] Field of Search ..... D3/30.1, 33, 35, 38,  
D3/37, 72-74, 76; D19/52, 75, 36; 434/88;  
D6/155, 156; D26/58; 362/97-99

FIG. 3 is a front elevational view thereof;

FIG. 4 is a right side elevational view thereof;

FIG. 5 is a rear elevational view thereof;

FIG. 6 is a left side elevational view thereof;

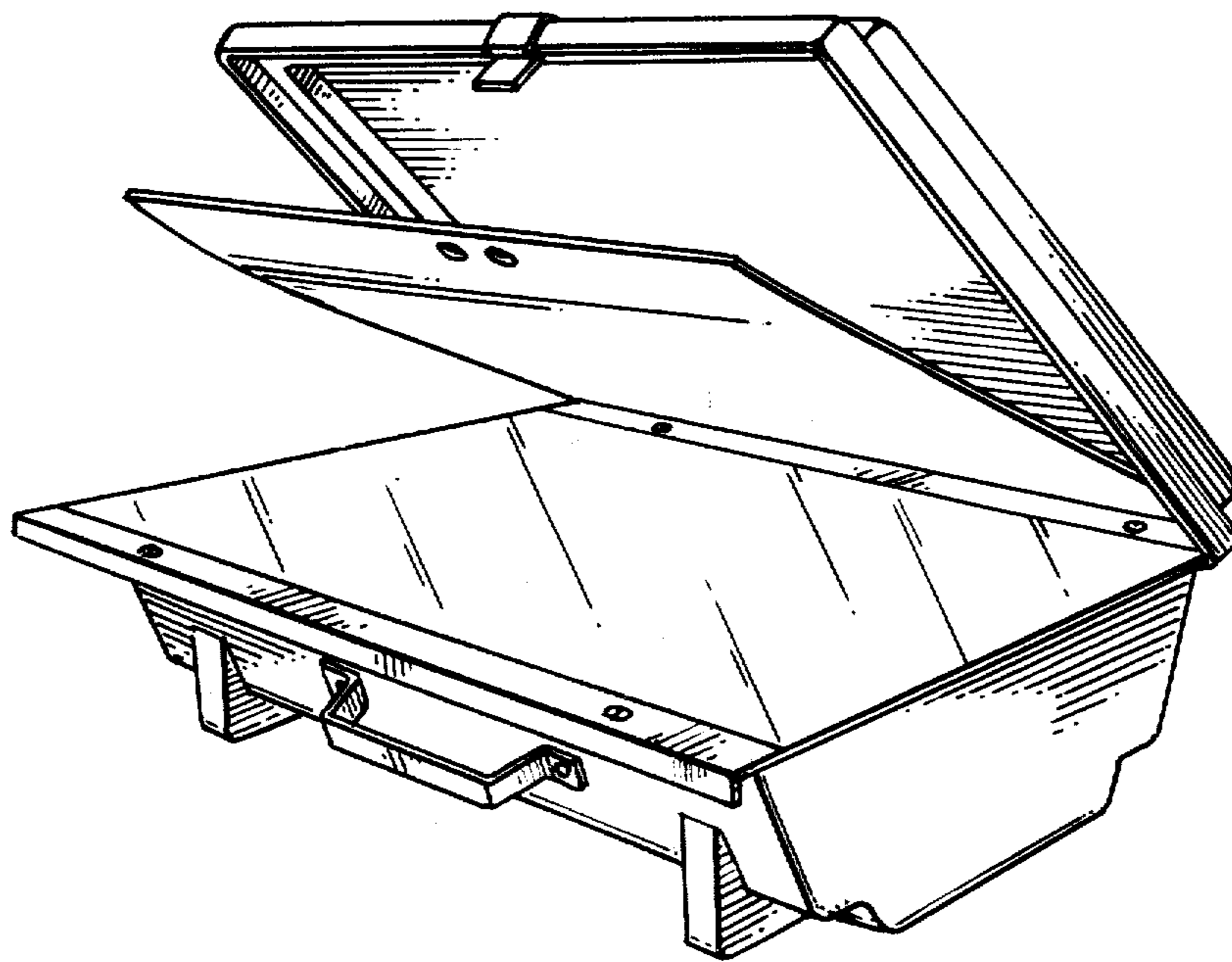
FIG. 7 is a bottom plan view thereof; and

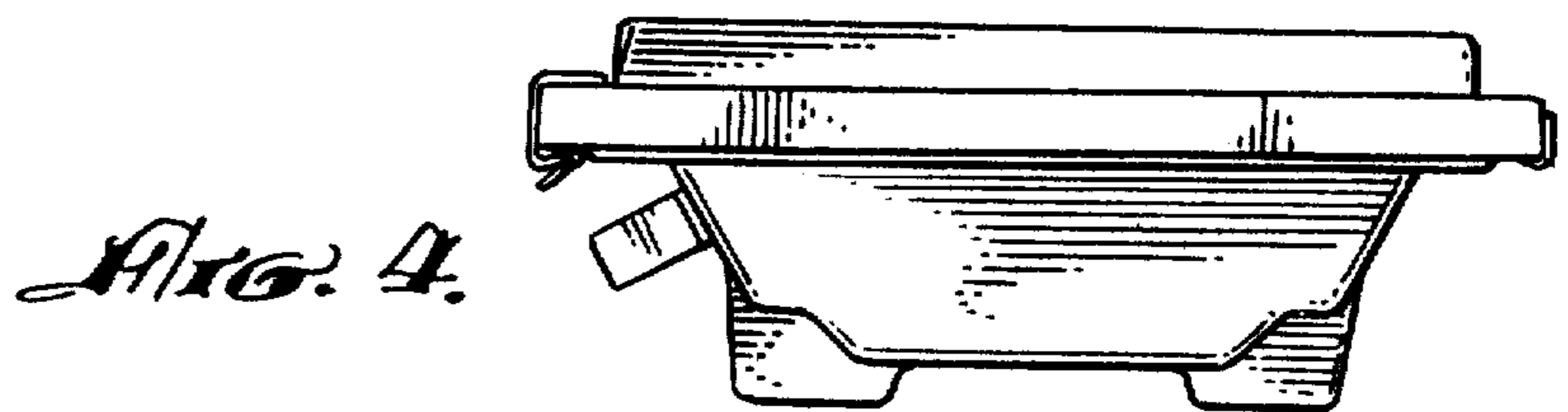
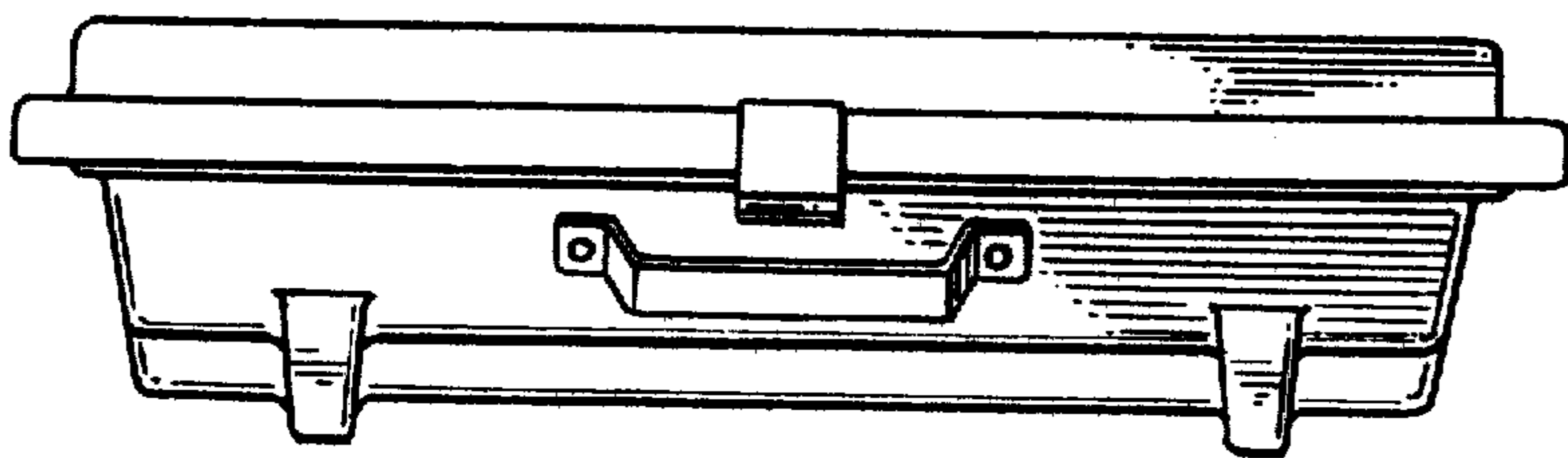
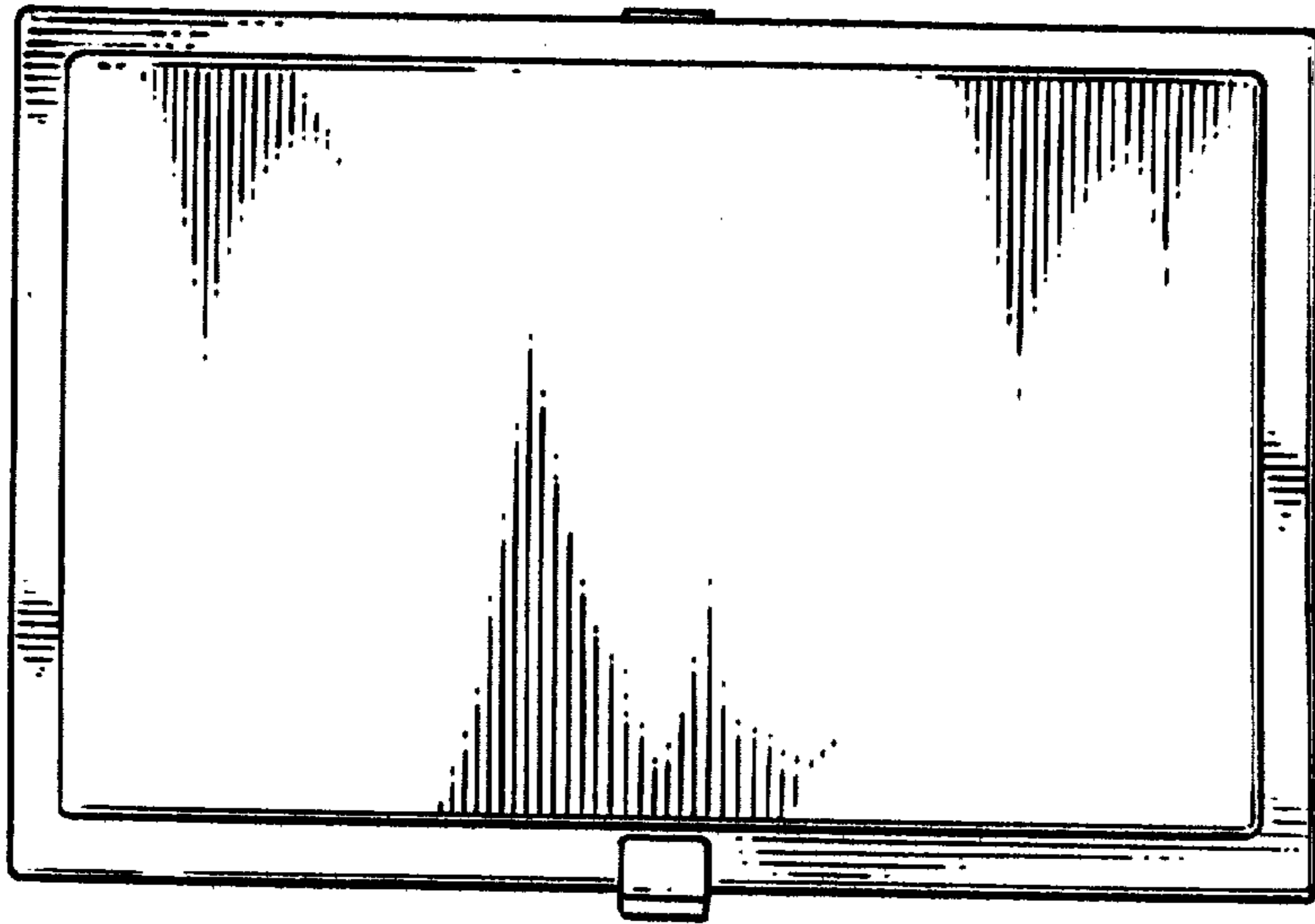
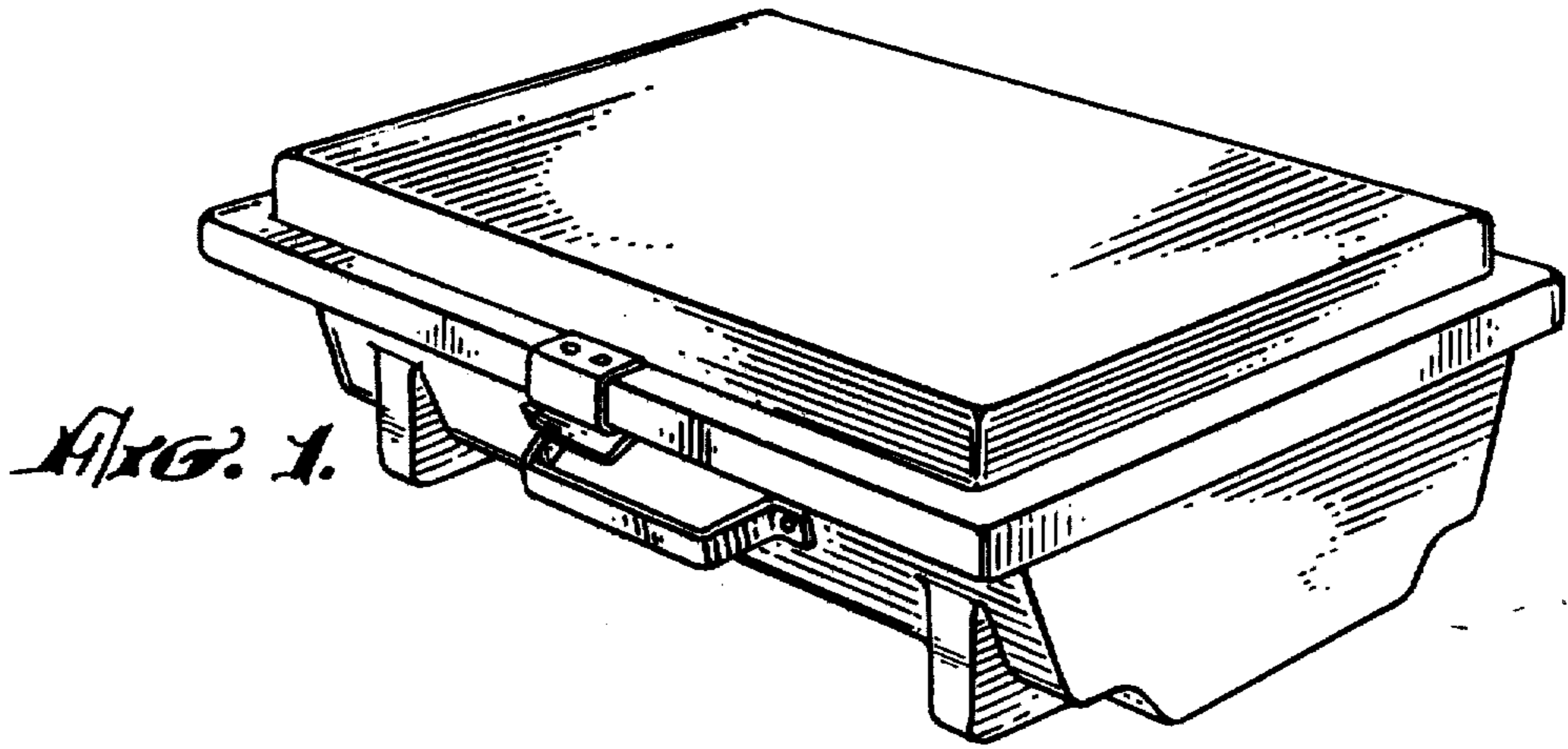
FIG. 8 is a perspective similar to FIG. 1 showing the cover in a partially open condition and an inserted element suspended between the cover and the tracing table.

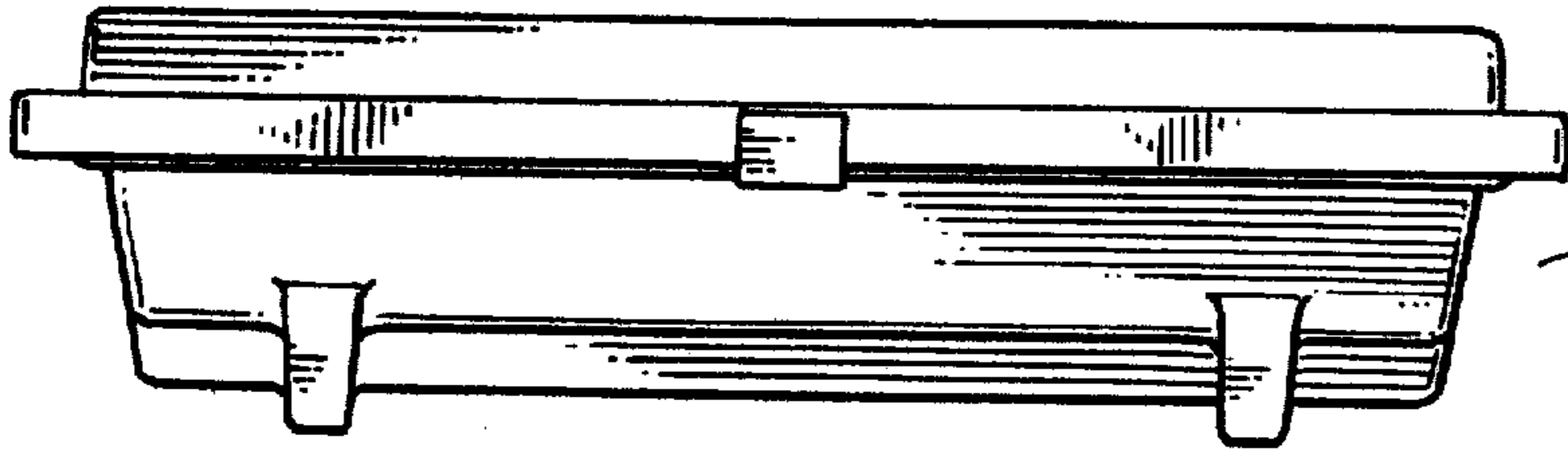
[56] References Cited

U.S. PATENT DOCUMENTS

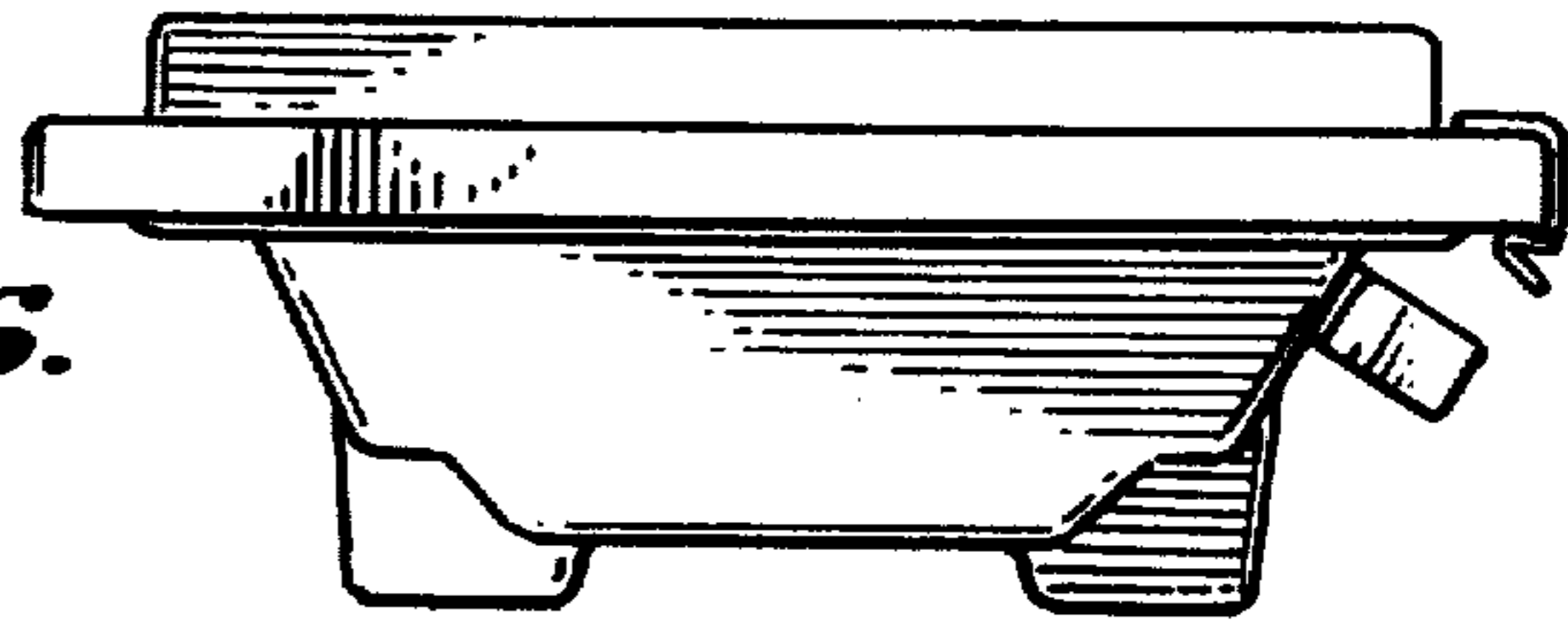
- D. 209,372 11/1967 Schurman ..... D3/72
- D. 216,853 3/1970 Schurman ..... D3/72
- D. 258,967 4/1981 Rollinson ..... D19/52



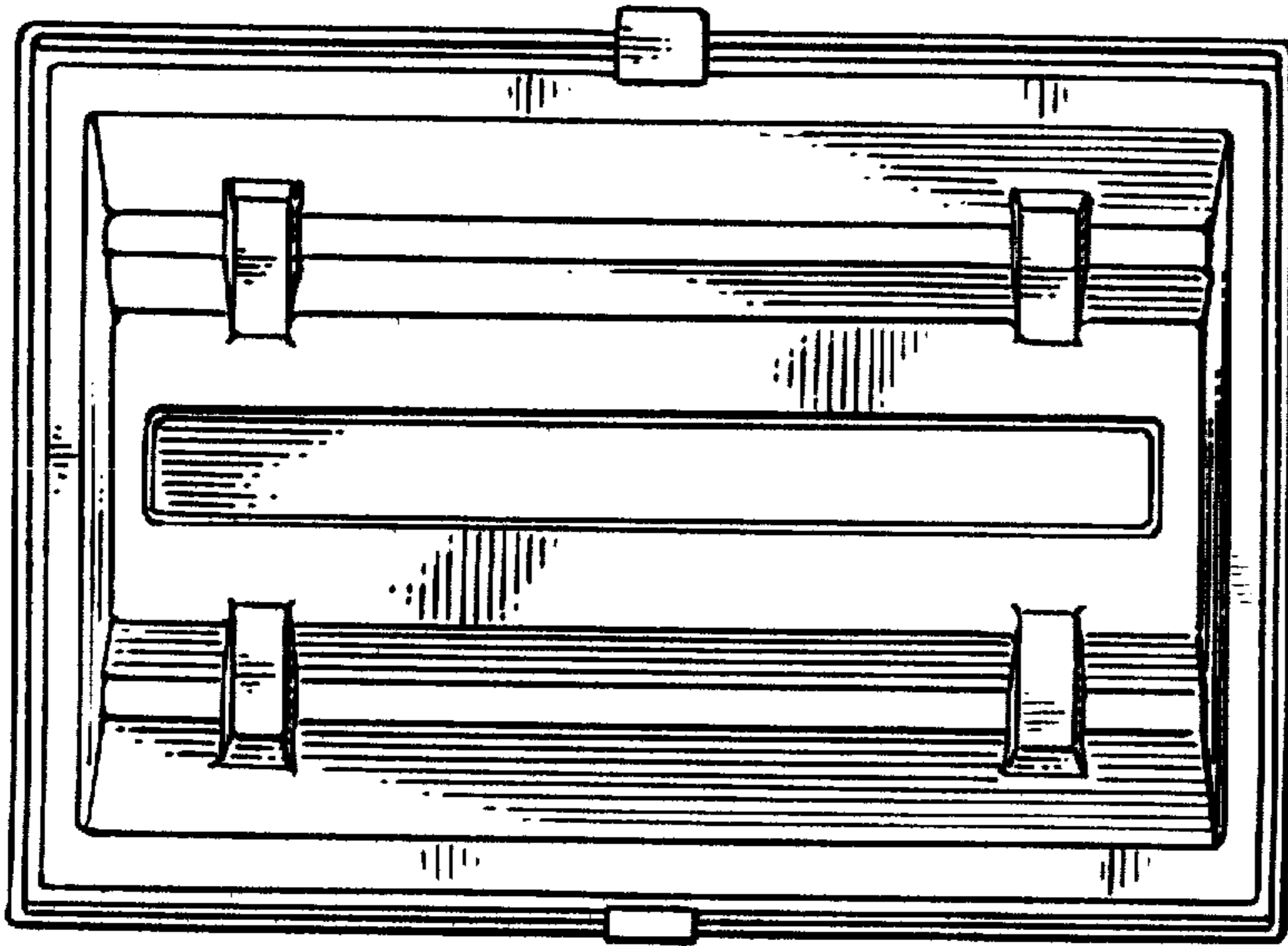




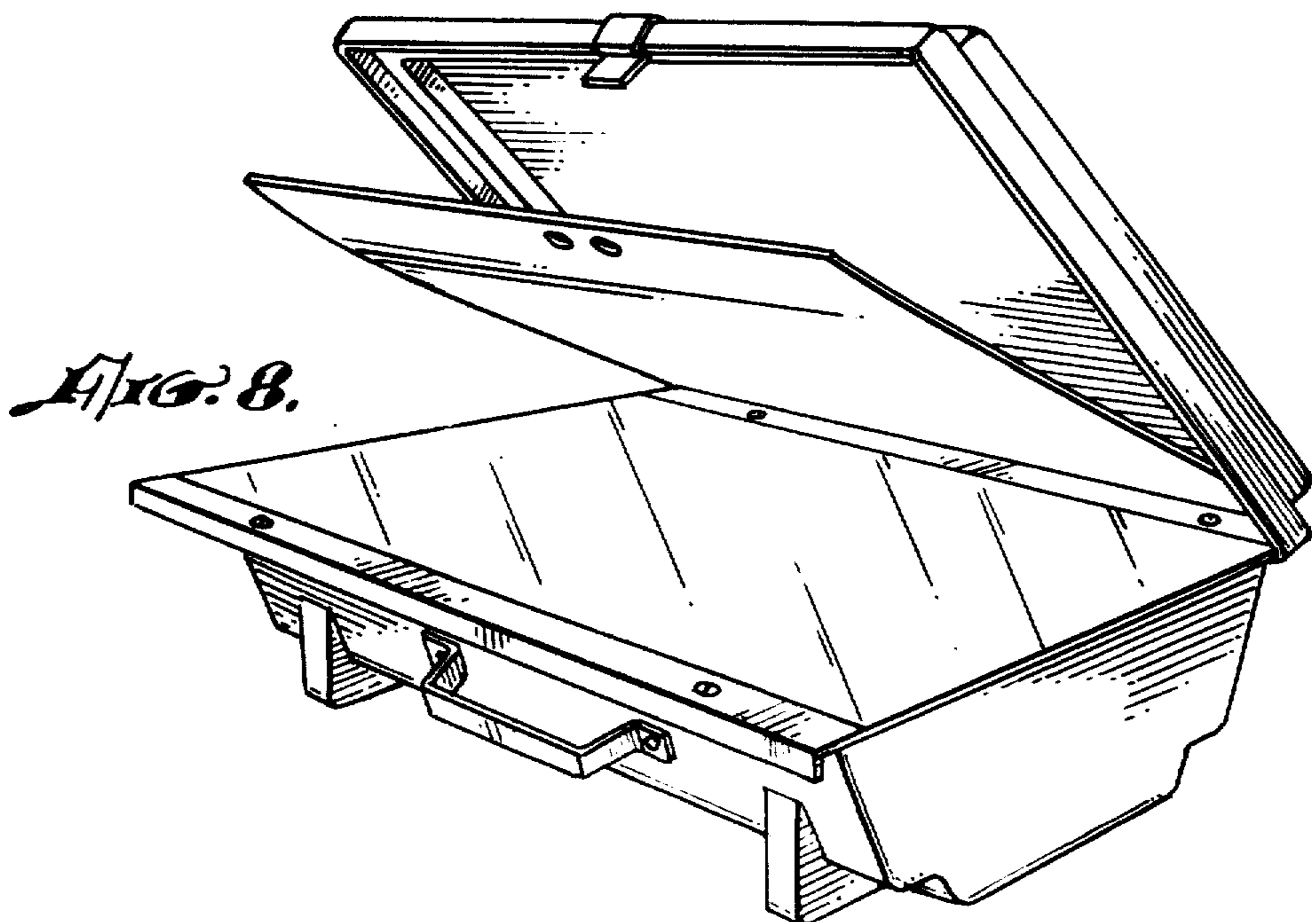
*FIG. 5.*



*FIG. 6.*



*FIG. 7.*



*FIG. 8.*