

[54] PROTECTIVE POCKET FOR THE DIALING KNOBS OF THE PRINthead OF A LABELLING APPARATUS

[75] Inventors: Werner Becker, Hirschhorn; Wolfgang Reinke, Rothenberg, both of Fed. Rep. of Germany

[73] Assignee: Esselte Pendaflex Corporation, Garden City, N.Y.

[**] Term: 14 Years

[21] Appl. No.: 218,409

[22] Filed: Dec. 19, 1980

[30] Foreign Application Priority Data

Jul. 4, 1980 [CH] Switzerland 111/292

[51] Int. Cl. D18-99

[52] U.S. Cl. D18/19

[58] Field of Search D18/14, 19, 23, 99; 101/288; 156/384, DIG. 48, DIG. 49

[56]

References Cited

U.S. PATENT DOCUMENTS

D. 247,389 2/1978 Sato D18/19
D. 253,242 10/1979 Sato D18/19

Primary Examiner—Louis S. Zarfes
Attorney, Agent, or Firm—Hedman, Casella, Gibson, Costigan & Hoare

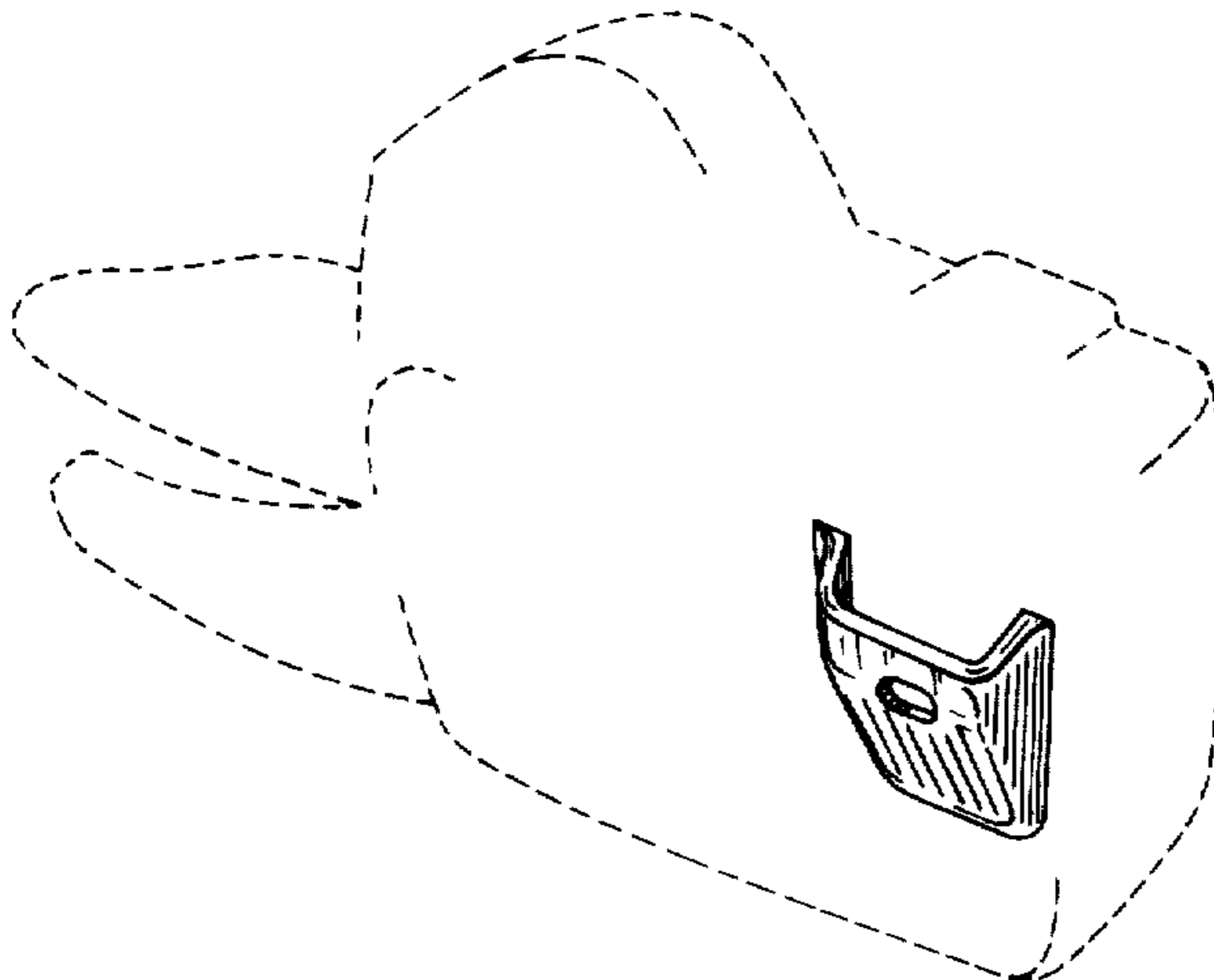
[57]

CLAIM

The ornamental design for protective pocket for the dialing knobs of the printhead of a labelling apparatus, as shown.

DESCRIPTION

FIG. 1 is a perspective view of a protective pocket for the dialing knob of the printhead of a labelling apparatus showing my new design, with the labelling apparatus being illustrated in broken lines for environmental purposes only;
FIG. 2 is a front elevational view of my new design;
FIG. 3 is a cross-sectional view taken along line 3—3 in FIG. 2;
FIG. 4 is a cross-sectional view taken along line 4—4 in FIG. 2;
FIG. 5 is an end elevational view taken from the right hand side of FIG. 2; and
FIG. 6 is a top elevational view of my design.



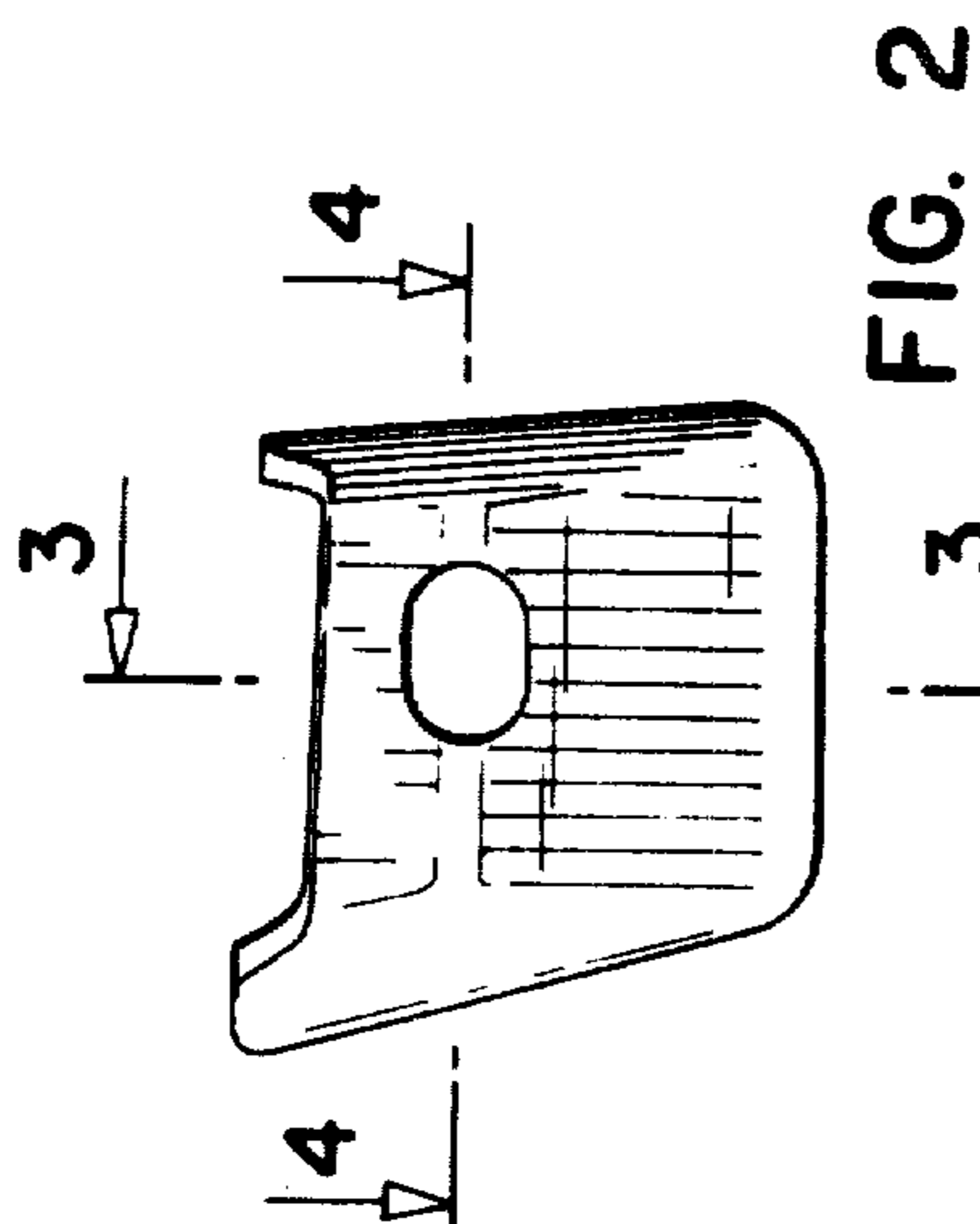


FIG. 2

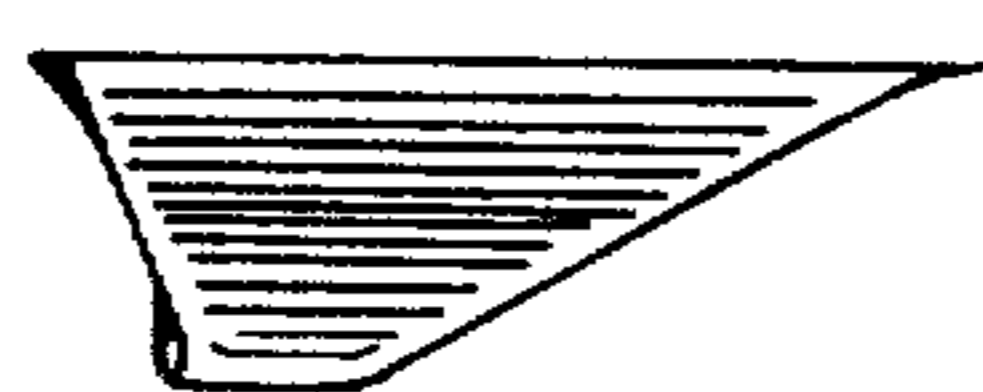


FIG. 3



FIG. 4

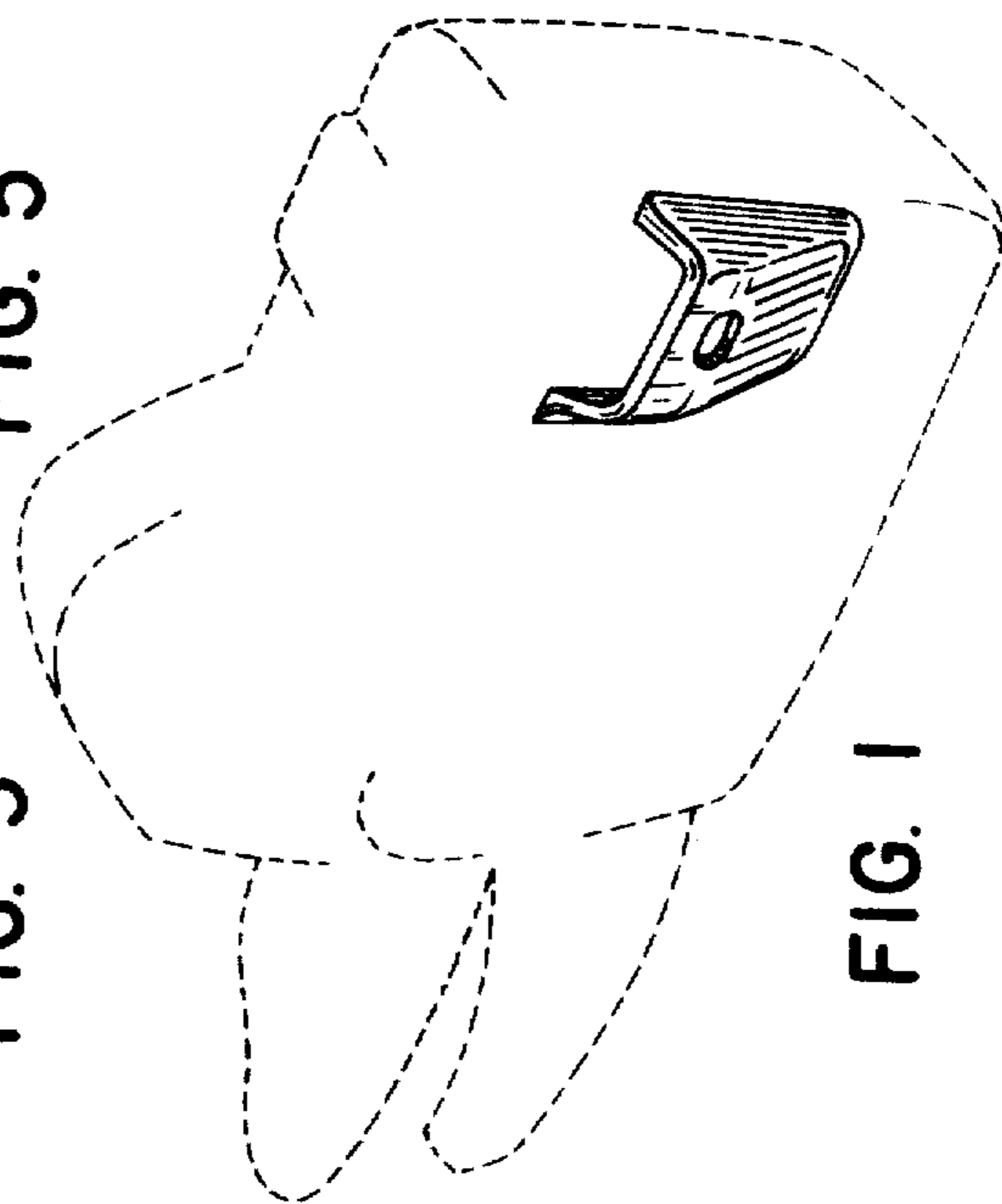


FIG. 1



FIG. 5



FIG. 6