

[54] SWITCH FRAME

[76] Inventor: **Shigeo Ohashi**, c/o Nihon Kaiheiki Kogyo Kabushiki Kaisha, 5-14 Minamimagome 1-chome, Ohta-ku, Tokyo, Japan

[**] Term: **14 Years**

[21] Appl. No.: **263,618**

[22] Filed: **May 14, 1981**

[51] Int. Cl. **D13-03**

[52] U.S. Cl. **D13/32**

[58] Field of Search **D13/32, 33, 37, 38;**
200/293, 295, 296, 310, 313, 314, 6 R, 6 A;
248/27.1, 27.3

[56] **References Cited**

U.S. PATENT DOCUMENTS

D. 221,664	8/1971	Russenberger	D13/37
D. 255,114	5/1980	Bienwald et al.	D13/32
3,706,869	12/1972	Sorenson	200/295
3,800,113	3/1974	Sheahan	200/295
3,941,965	3/1976	Piber	200/295 X

Primary Examiner—Susan J. Lucas
Attorney, Agent, or Firm—Lawrence I. Field

[57] **CLAIM**

The ornamental design for a switch frame, substantially as shown and described.

DESCRIPTION

FIG. 1 is a front view of the switch frame, showing my new design;
FIG. 2 is a plan view of the switch frame as seen from the top;
FIG. 3 is a view of the switch frame as seen from the bottom;
FIG. 4 is a view of the switch frame as seen from the left;
FIG. 5 is a cross-sectional view of the switch frame taken along line 5—5 of FIG. 2; and
FIG. 6 is an enlarged perspective view of the switch frame, the toggle switch being shown in broken lines for illustrative purposes only.
A rear view of the switch frame is symmetrical with FIG. 1, and a view of the switch frame as seen from the right is symmetrical with FIG. 4, these figures are, therefore, omitted.

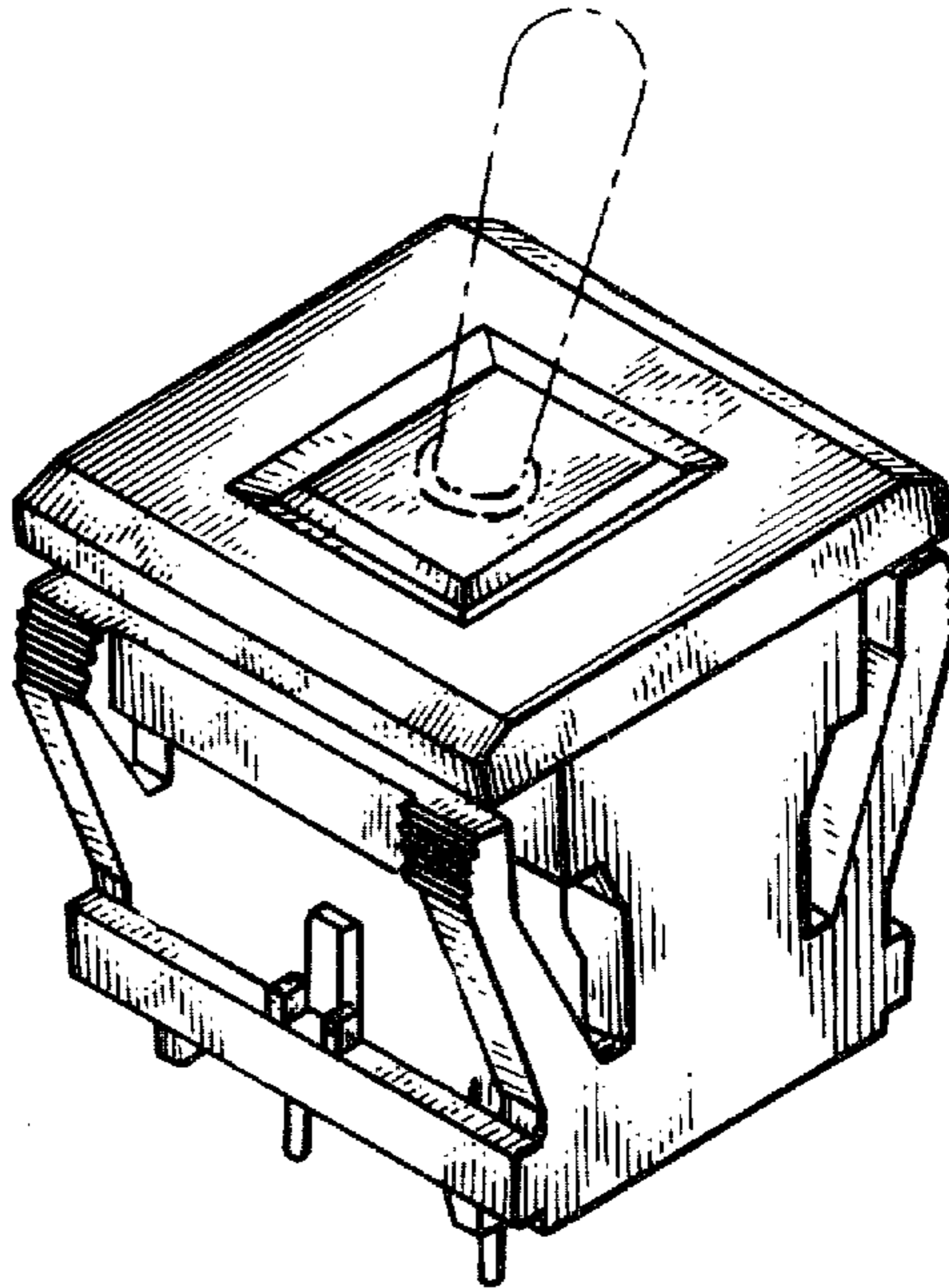


FIG. 1

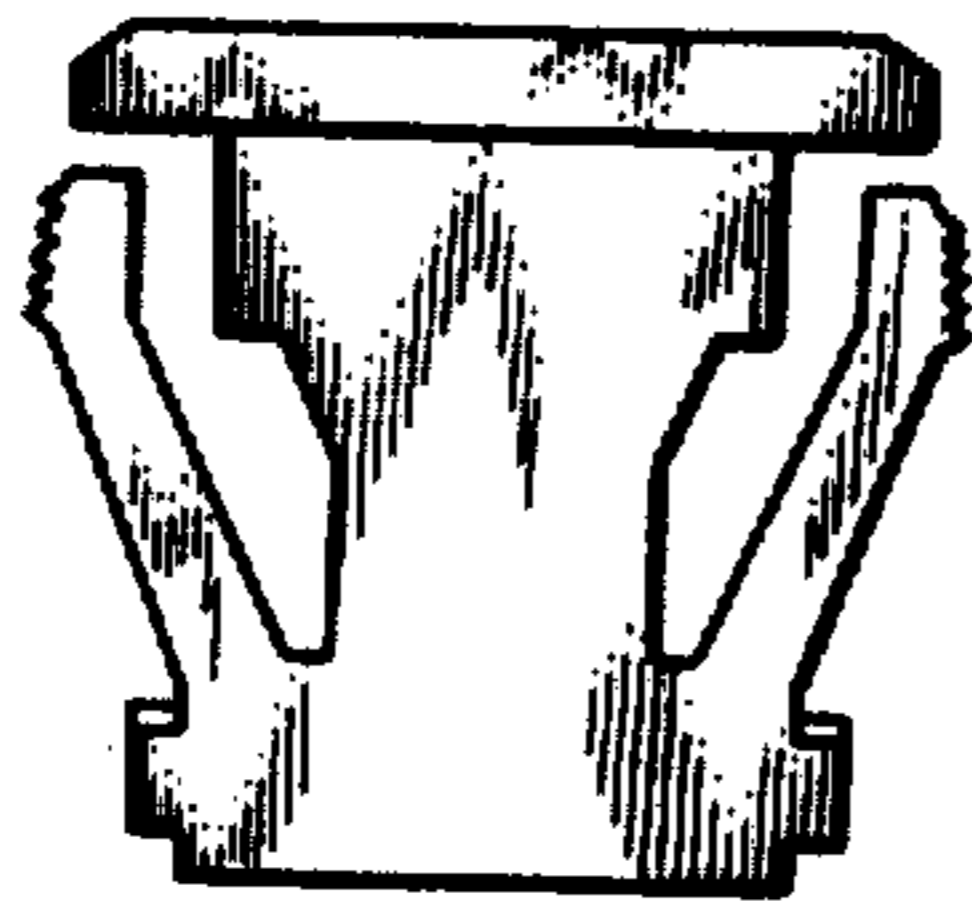


FIG. 2

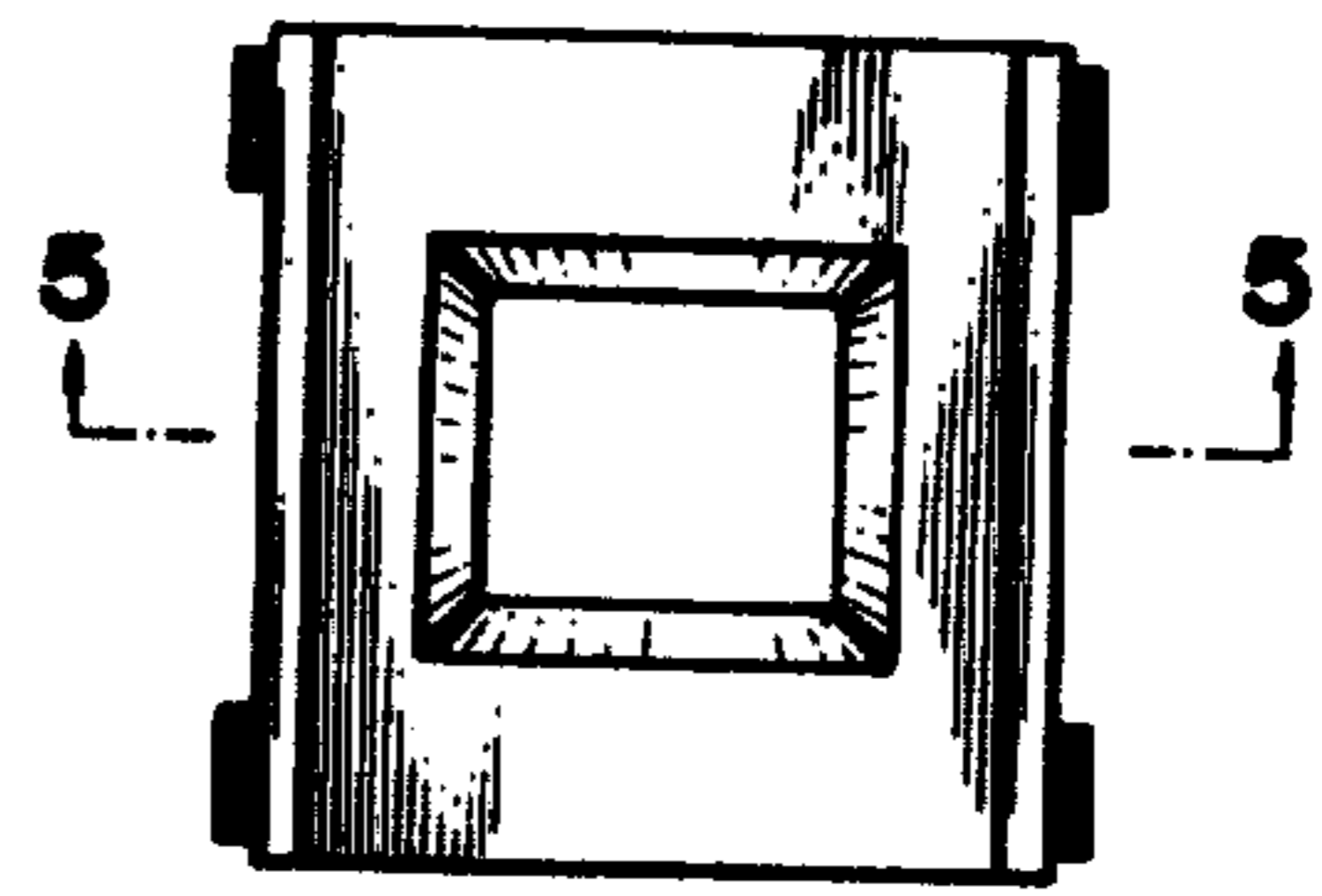


FIG. 3

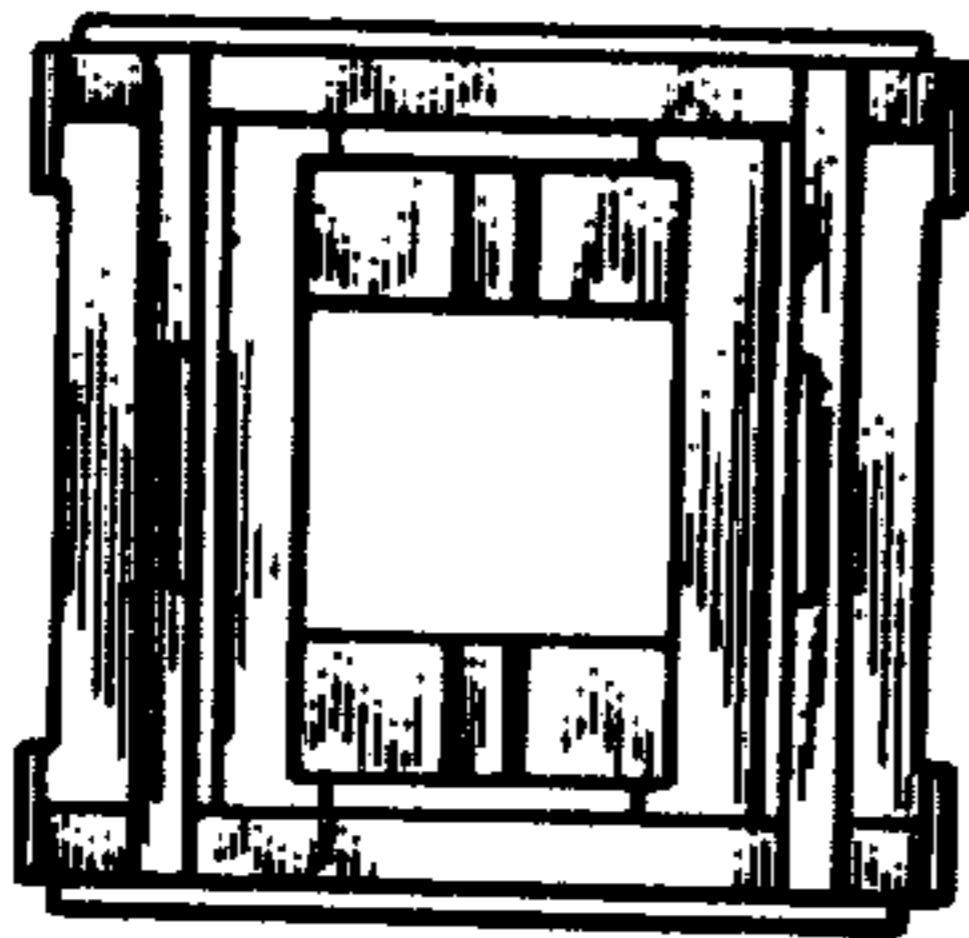


FIG. 4

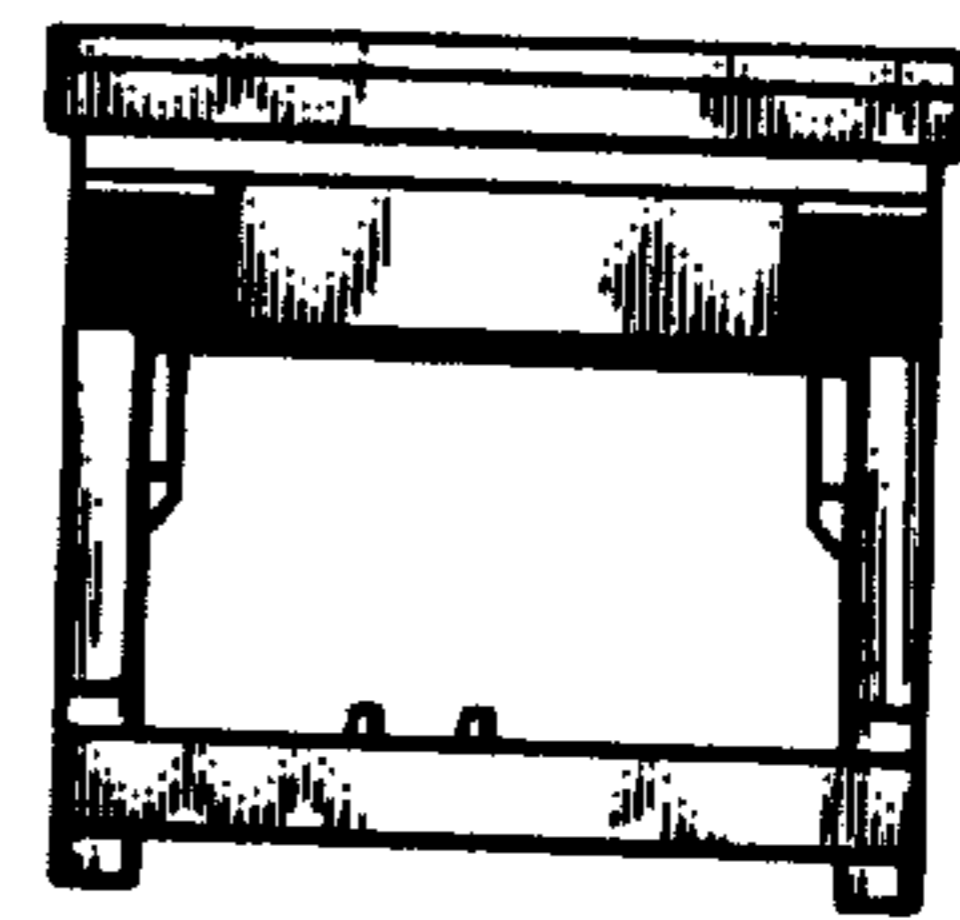


FIG. 5

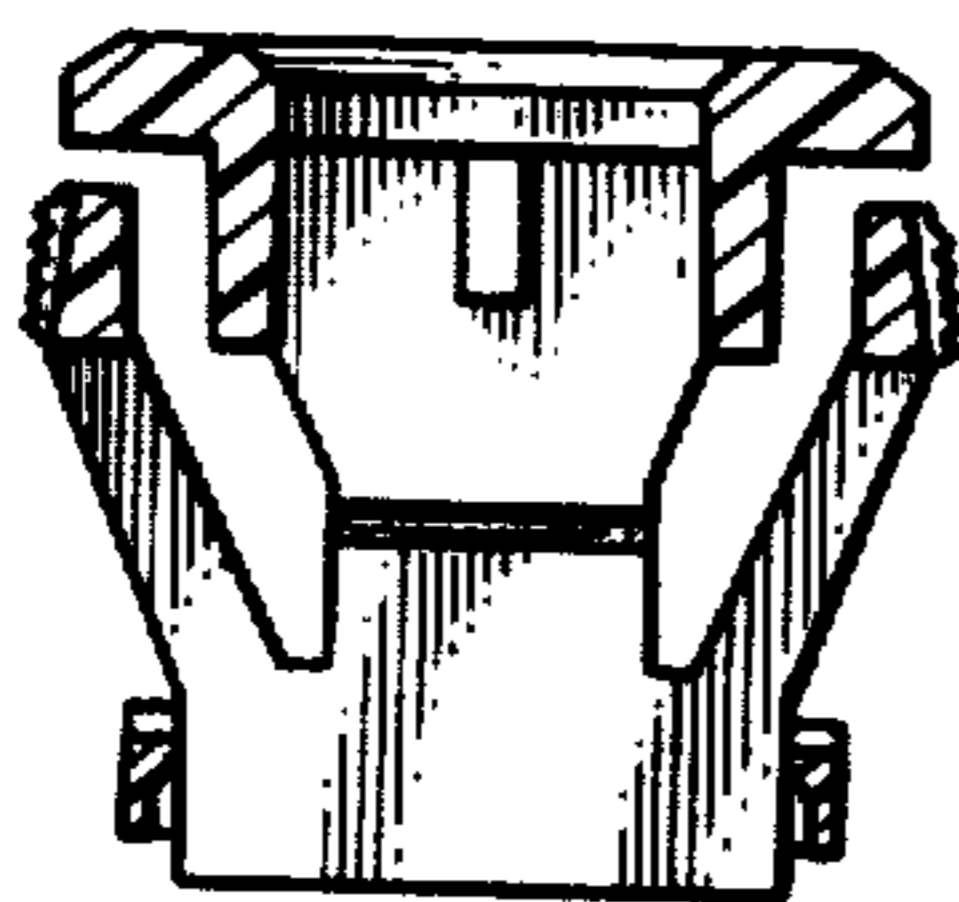


FIG. 6

