

[54] **GOLF CAR**

[75] Inventor: **Dominic Saporito, Fanwood, N.J.**

[73] Assignee: **Club Car, Inc., Augusta, Ga.**

[\*\*] Term: **14 Years**

[21] Appl. No.: **243,693**

[22] Filed: **Mar. 16, 1981**

[51] Int. Cl. .... **D12-14**

[52] U.S. Cl. .... **D12/16**

[58] Field of Search ..... **D12/16; 280/DIG. 5; 296/186**

[56] **References Cited**

**U.S. PATENT DOCUMENTS**

D. 255,558 6/1980 Ekuan ..... **D12/16**

**OTHER PUBLICATIONS**

Gran Cushman, p. 4, Golf Car, bottom of page.  
Club Car Brochure, Golf Car on inside front cover.

*Primary Examiner*—James M. Gandy  
*Attorney, Agent, or Firm*—Laurence R. Brown

[57] **CLAIM**

The ornamental design for a golf car, as shown.

**DESCRIPTION**

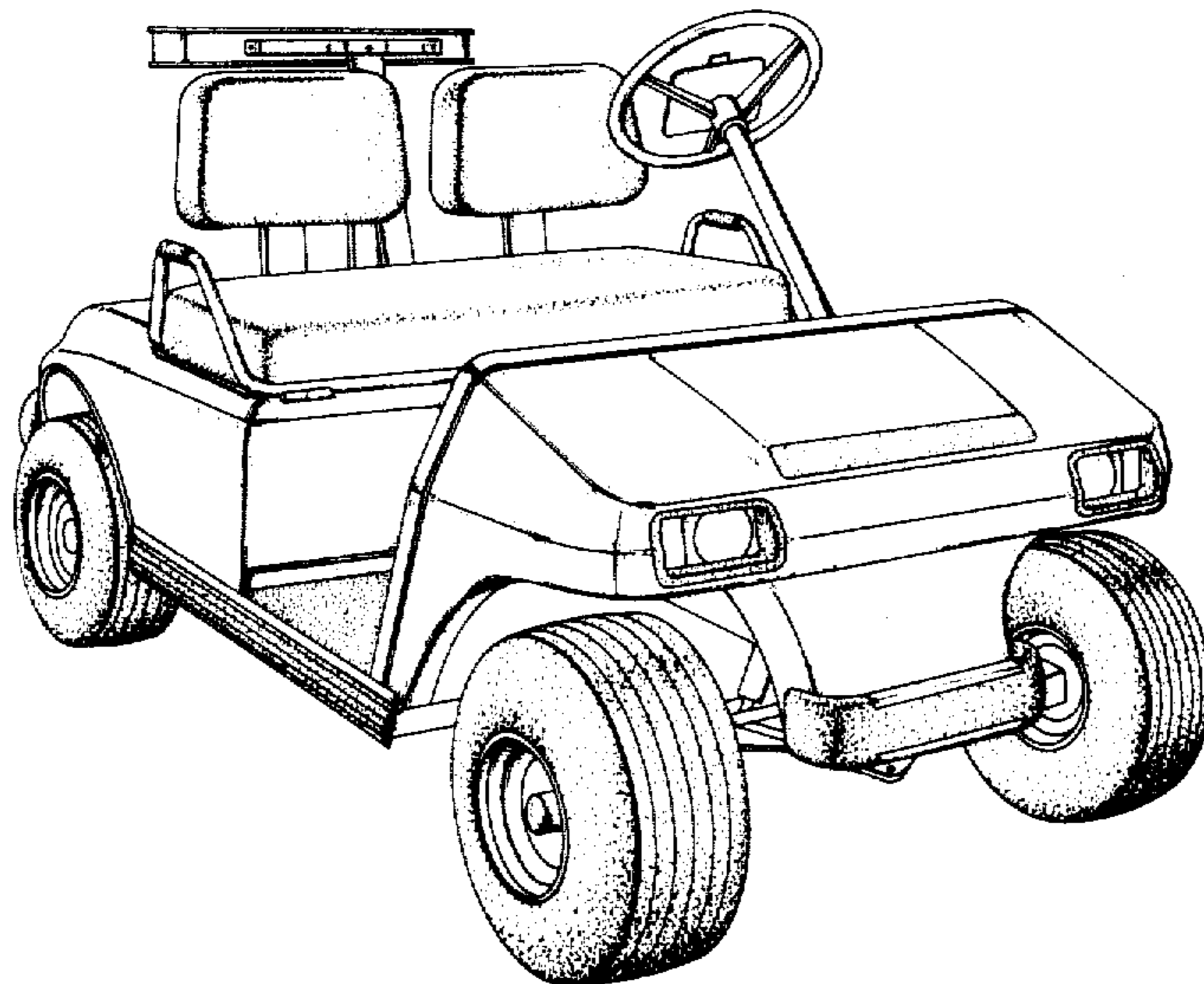
FIG. 1 is a perspective view of a golf car showing my new design;

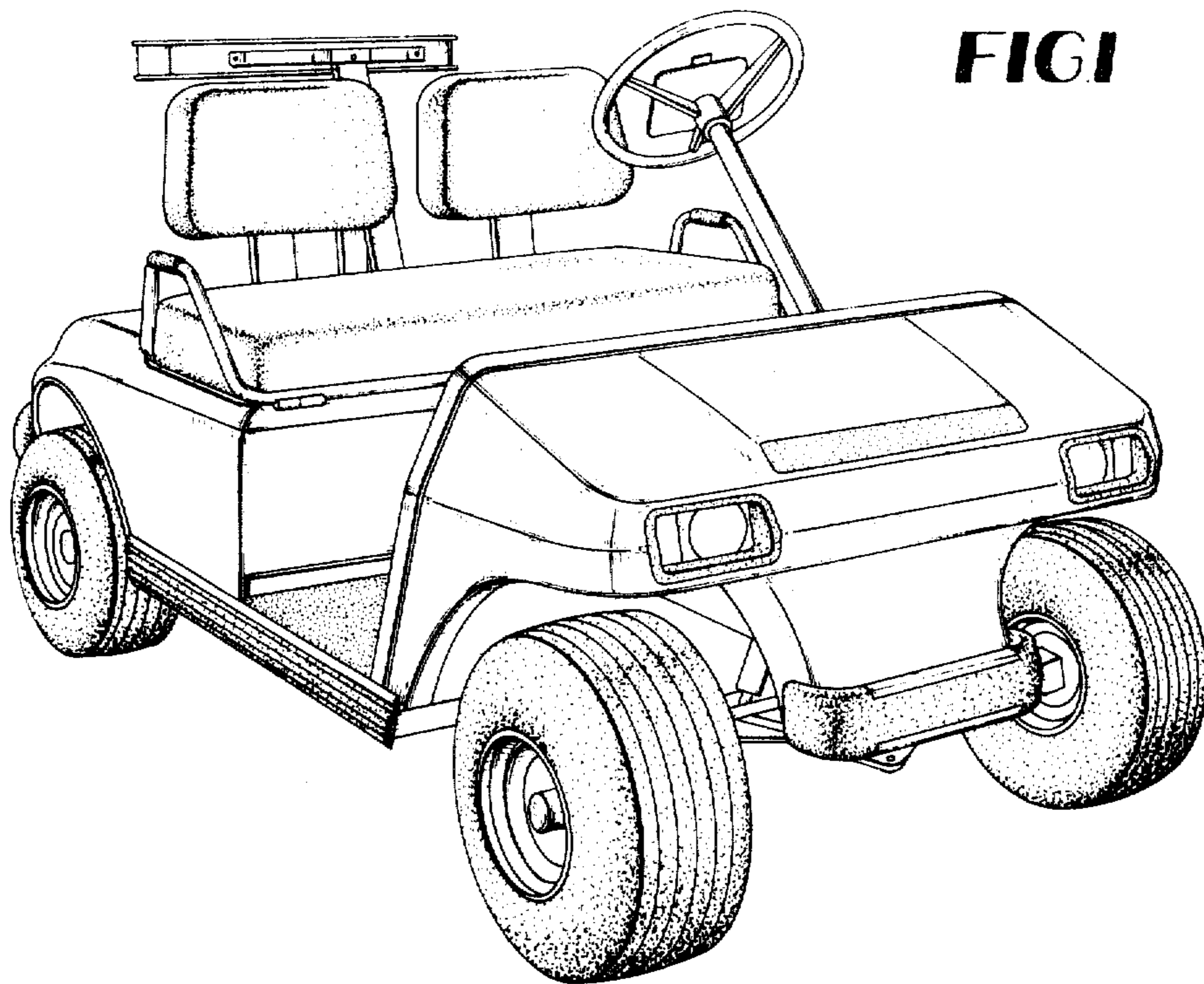
FIG. 2 is a left side elevational view thereof;

FIG. 3 is a front elevational view thereof;

FIG. 4 is a rear elevational view thereof; and

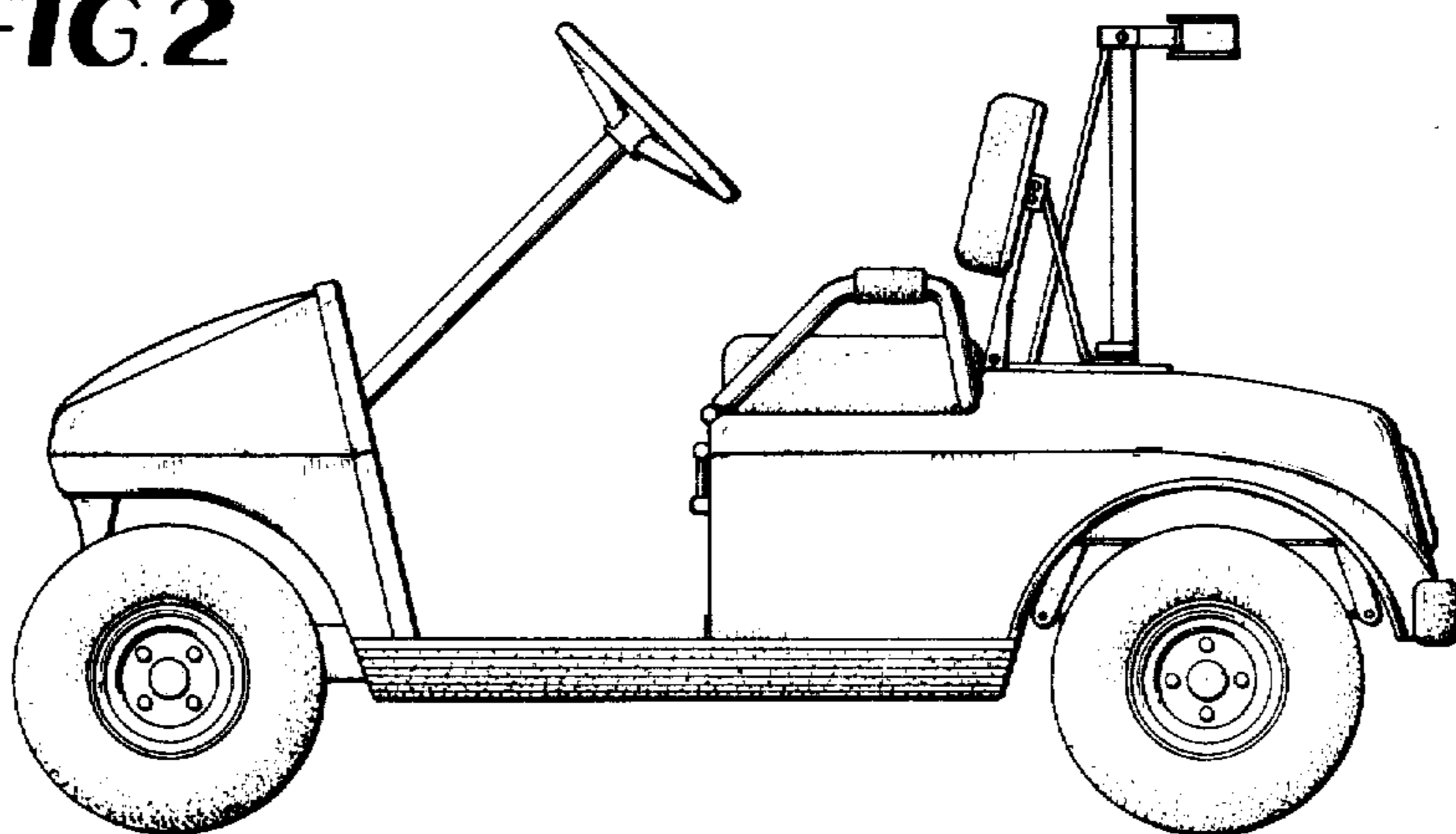
FIG. 5 is a top plan view thereof.

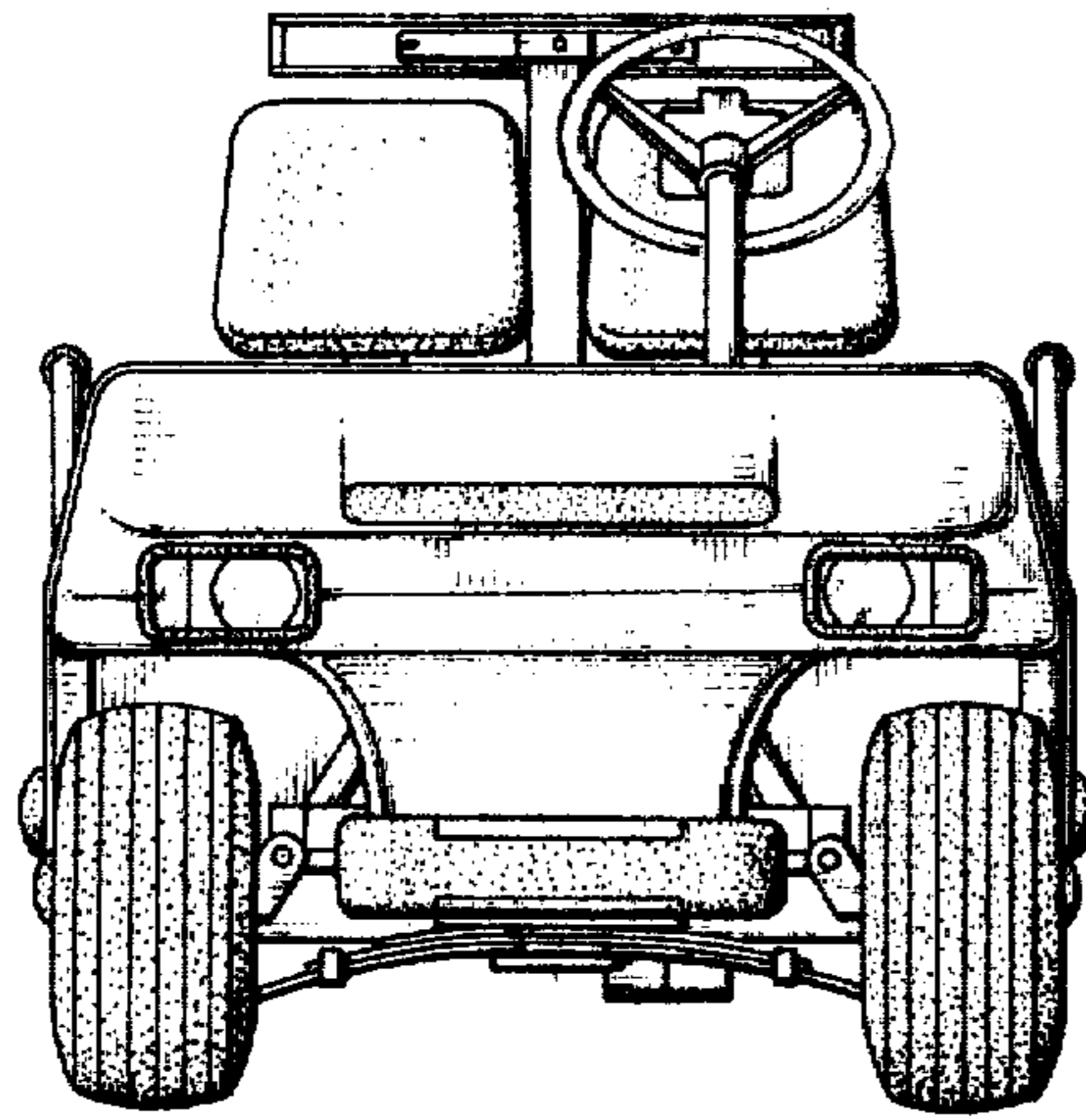




**FIG 1**

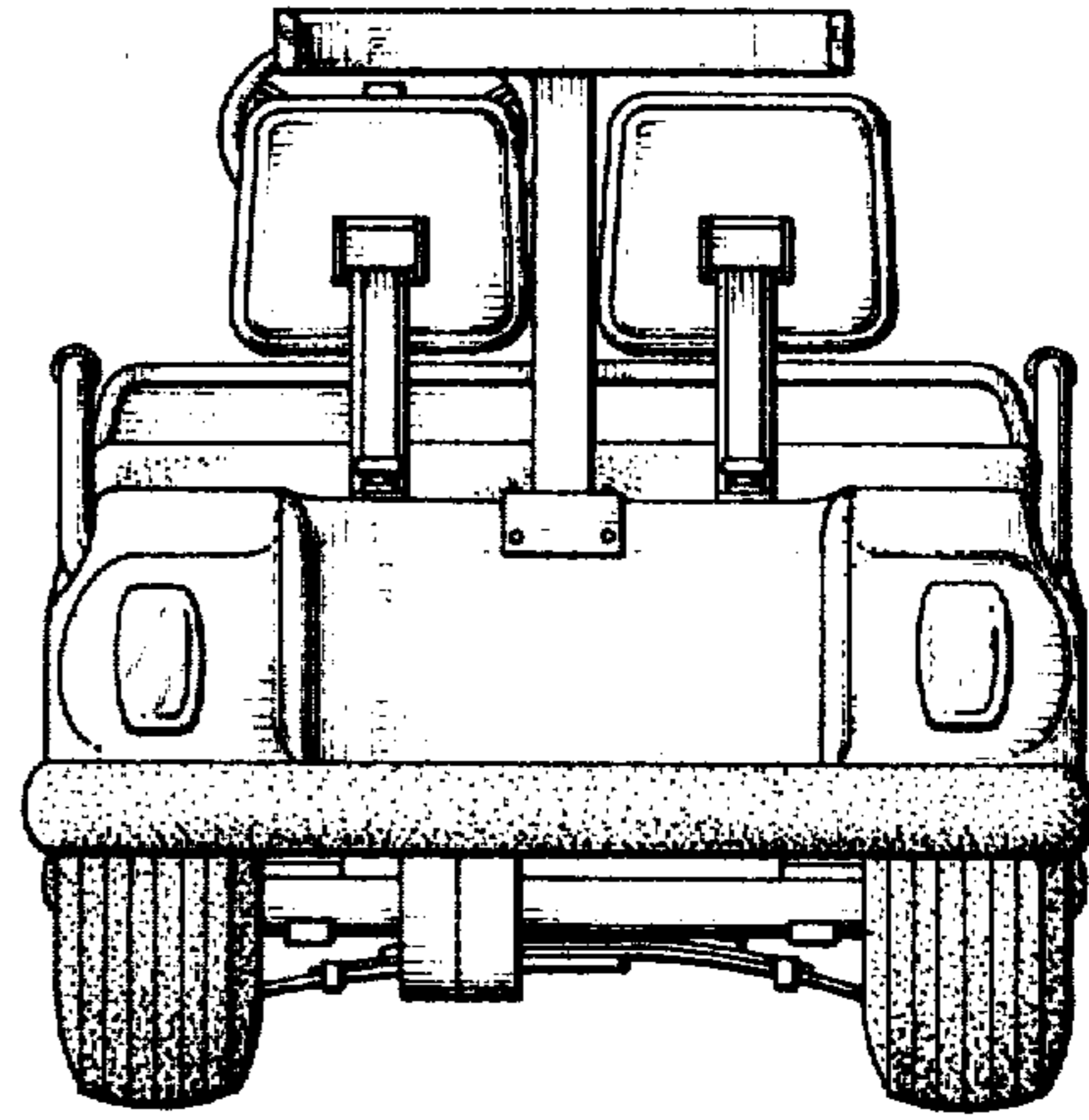
**FIG. 2**





**FIG. 3**

**FIG. 4**



**FIG. 5**

