

- [54] **SLED** 4,063,746 12/1977 Hansen D12/10
- [75] **Inventor:** Hans Skillius, Halmstad, Sweden
- [73] **Assignee:** Stiga AB, Tranas, Sweden
- [**] **Term:** 14 Years
- [21] **Appl. No.:** 163,028
- [22] **Filed:** Jun. 26, 1980
- [30] **Foreign Application Priority Data**
- Jan. 7, 1980 [SE] Sweden 80-0027
- [51] **Int. Cl.** **D12-14**
- [52] **U.S. Cl.** **D12/10**
- [58] **Field of Search** **D12/10; 280/16, 21 R, 280/21 A, 22**
- [56] **References Cited**
- U.S. PATENT DOCUMENTS**
- D. 238,564 1/1976 Skillius D12/10

OTHER PUBLICATIONS

Plythings, 2/80, p. 157, Sled No. 5034, bottom left side of page.

Primary Examiner—James M. Gandy
Attorney, Agent, or Firm—Beveridge, DeGrandi and Kline

[57] **CLAIM**

The ornamental design for a sled, substantially as shown.

DESCRIPTION

FIG. 1 is a side perspective view of a sled showing my new design;
 FIG. 2 is a top plan view thereof;
 FIG. 3 is an enlarged front perspective view thereof;
 FIG. 4 is an enlarged rear perspective view thereof; and
 FIG. 5 is a bottom plan view thereof.

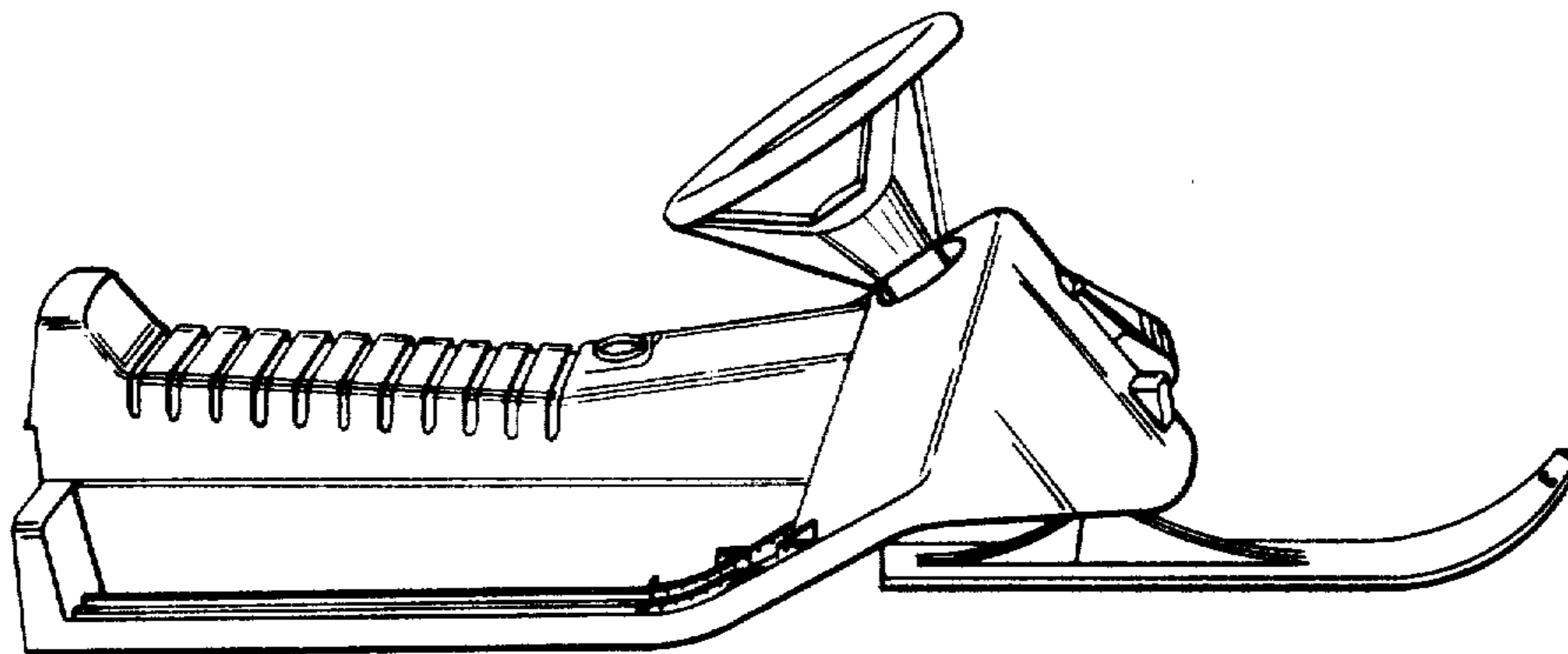


FIG. 1

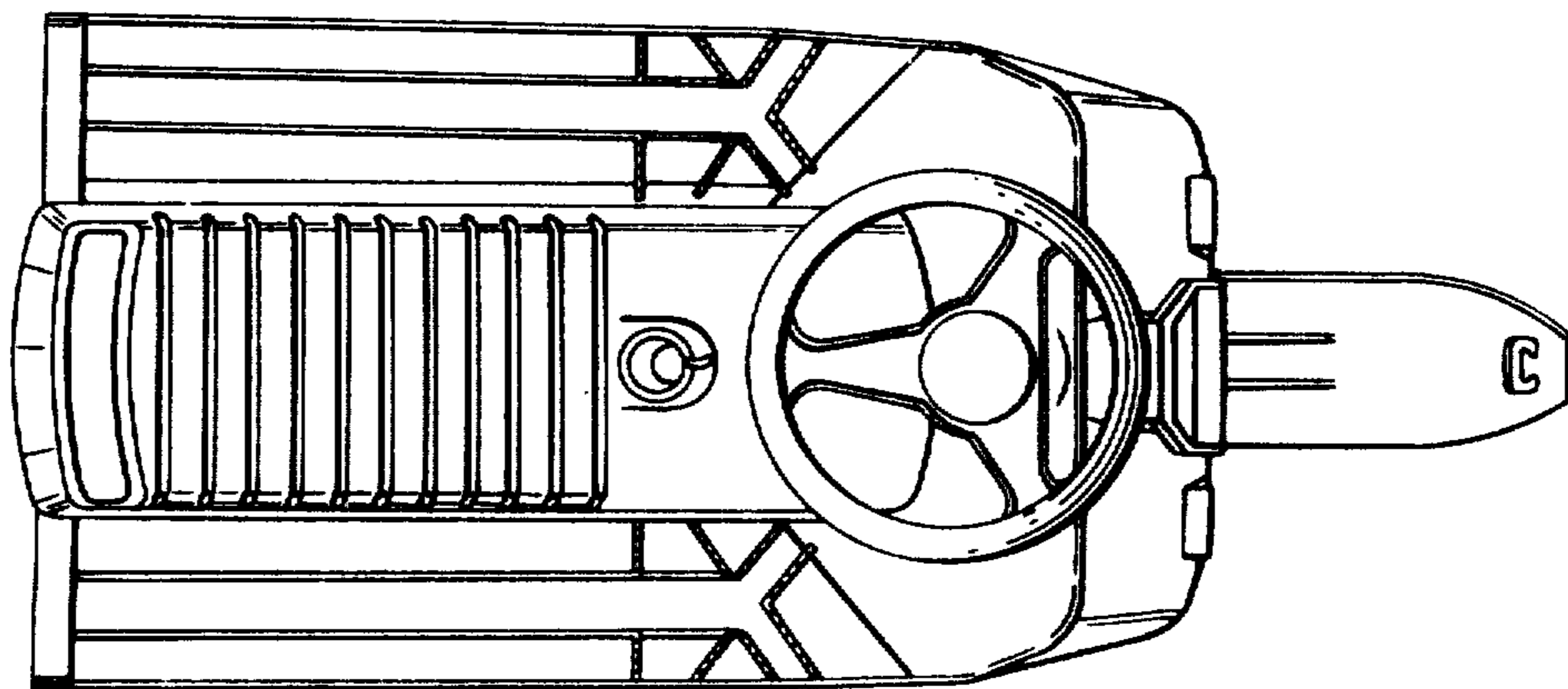
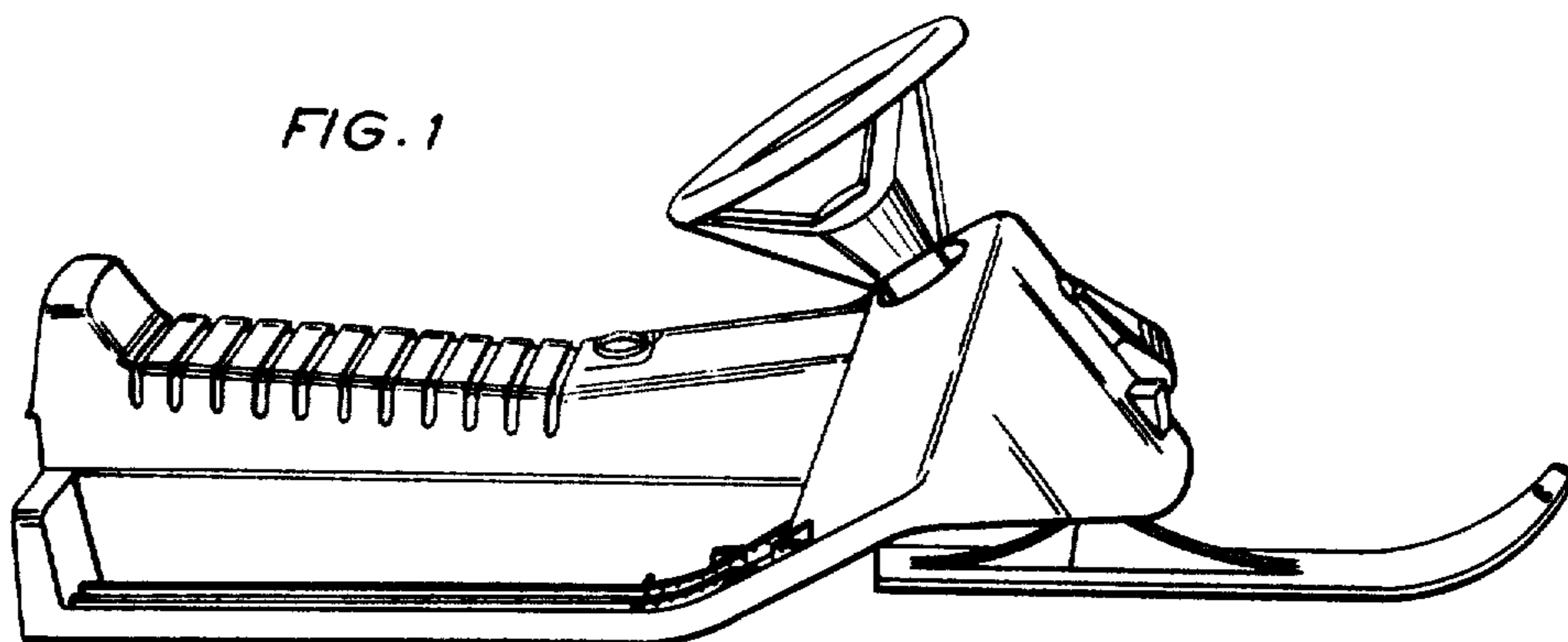


FIG. 2

