

[54] FLAG STAFF SUPPORT BRACKET

[76] Inventor: Anthony P. Bernatek, Sr., 1774 Riverbank, Lincoln Park, Mich. 48146

[**] Term: 14 Years

[21] Appl. No.: 398,616

[22] Filed: Jul. 15, 1982

[51] Int. Cl. D11-05

[52] U.S. Cl. D11/182

[58] Field of Search D11/166, 181-183; 116/173-175; 248/511, 518, 534, 538; D22/13

[56] References Cited

U.S. PATENT DOCUMENTS

1,790,803 2/1931 Francis 248/538 X
2,995,855 8/1961 Bell D22/13 X

FOREIGN PATENT DOCUMENTS

202193 1/1939 Switzerland 248/538

Primary Examiner—Louis S. Zarfes
Attorney, Agent, or Firm—Adolph G. Martin

[57] CLAIM

The ornamental design for a flag staff support bracket, as shown and described.

DESCRIPTION

FIG. 1 is a front elevational view of a flag staff support bracket showing my new design; FIG. 2 is a right side elevational view thereof; FIG. 3 is a left side elevational view thereof; FIG. 4 is a cross sectional view, taken along line 4-4 of FIG. 2; FIG. 5 is a cross sectional view, taken along line 5-5 of FIG. 1; FIG. 6 is a rear elevational view thereof; and FIG. 7 is a cross sectional view, taken along line 7-7 of FIG. 1.

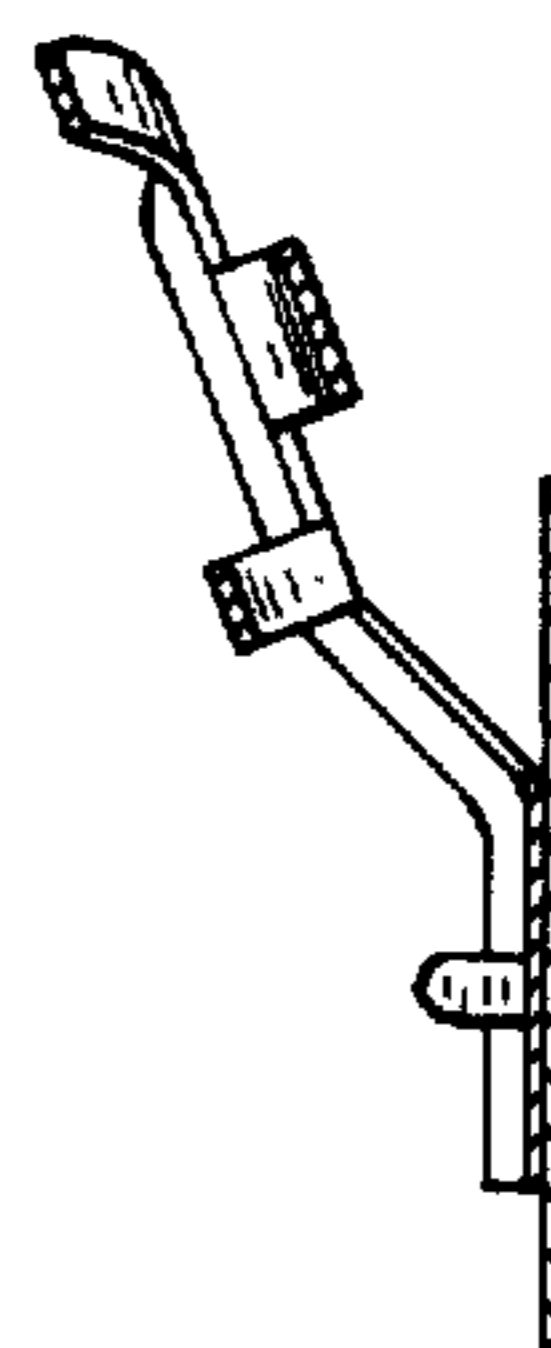
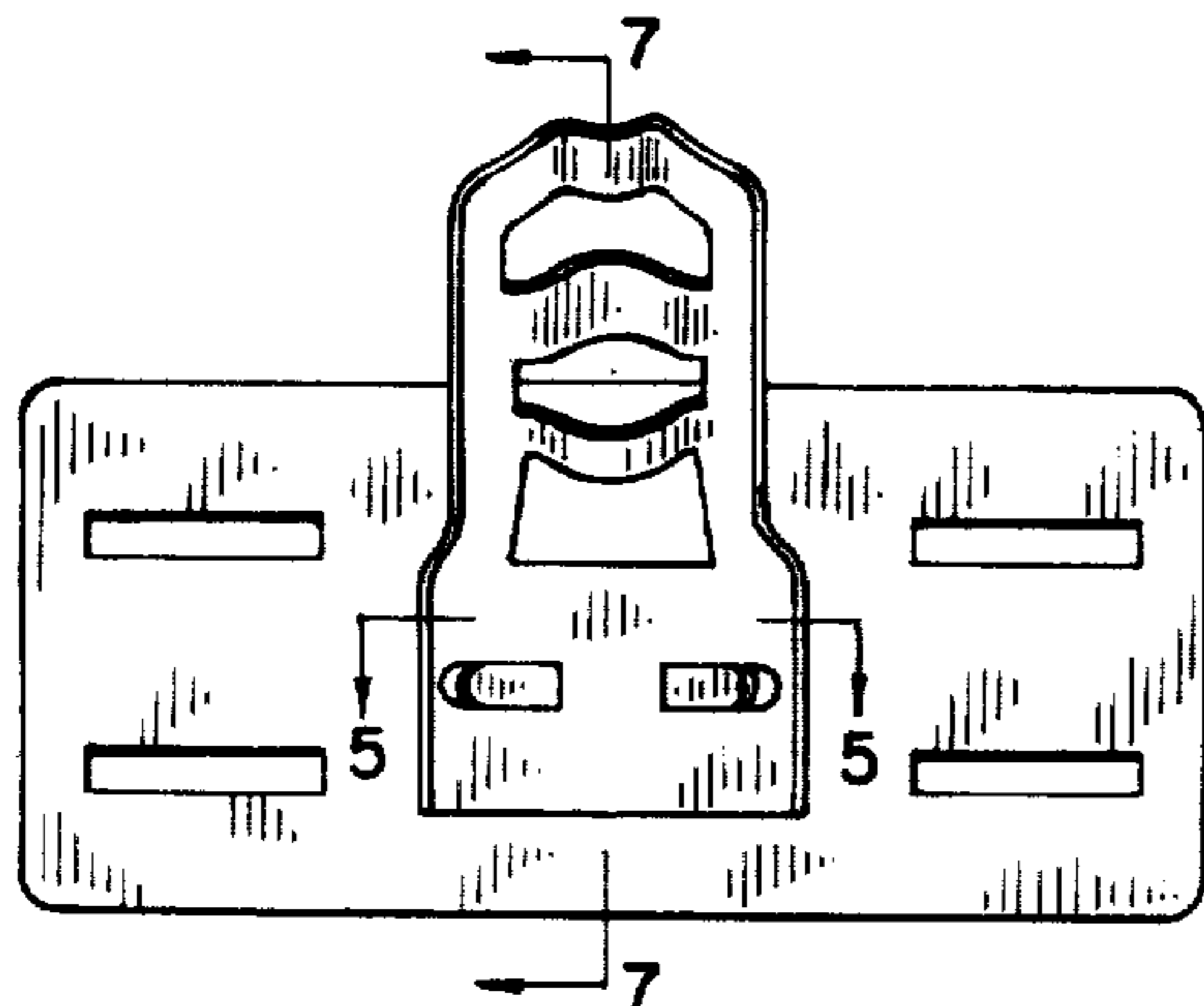


FIG. 1

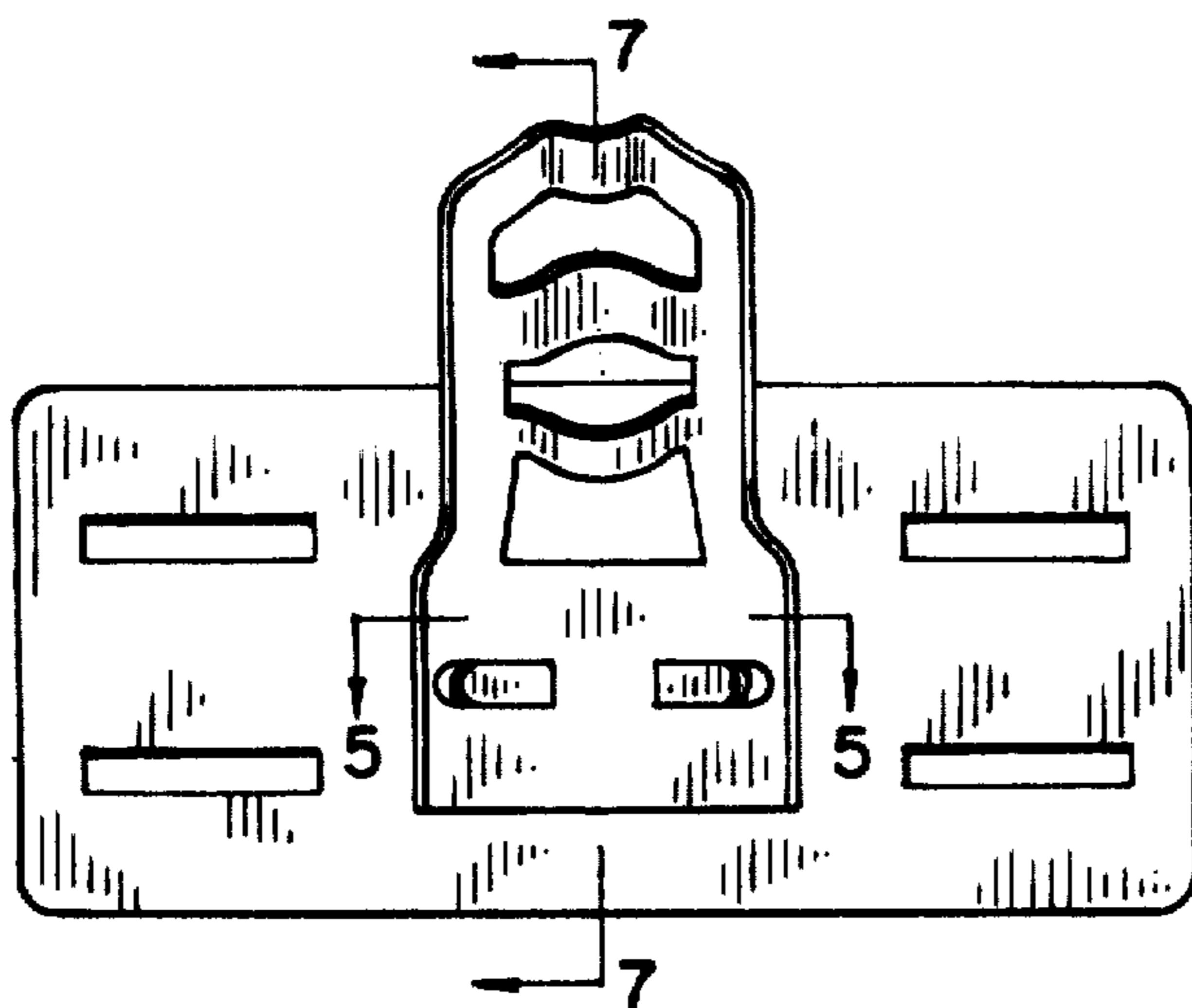


FIG. 2

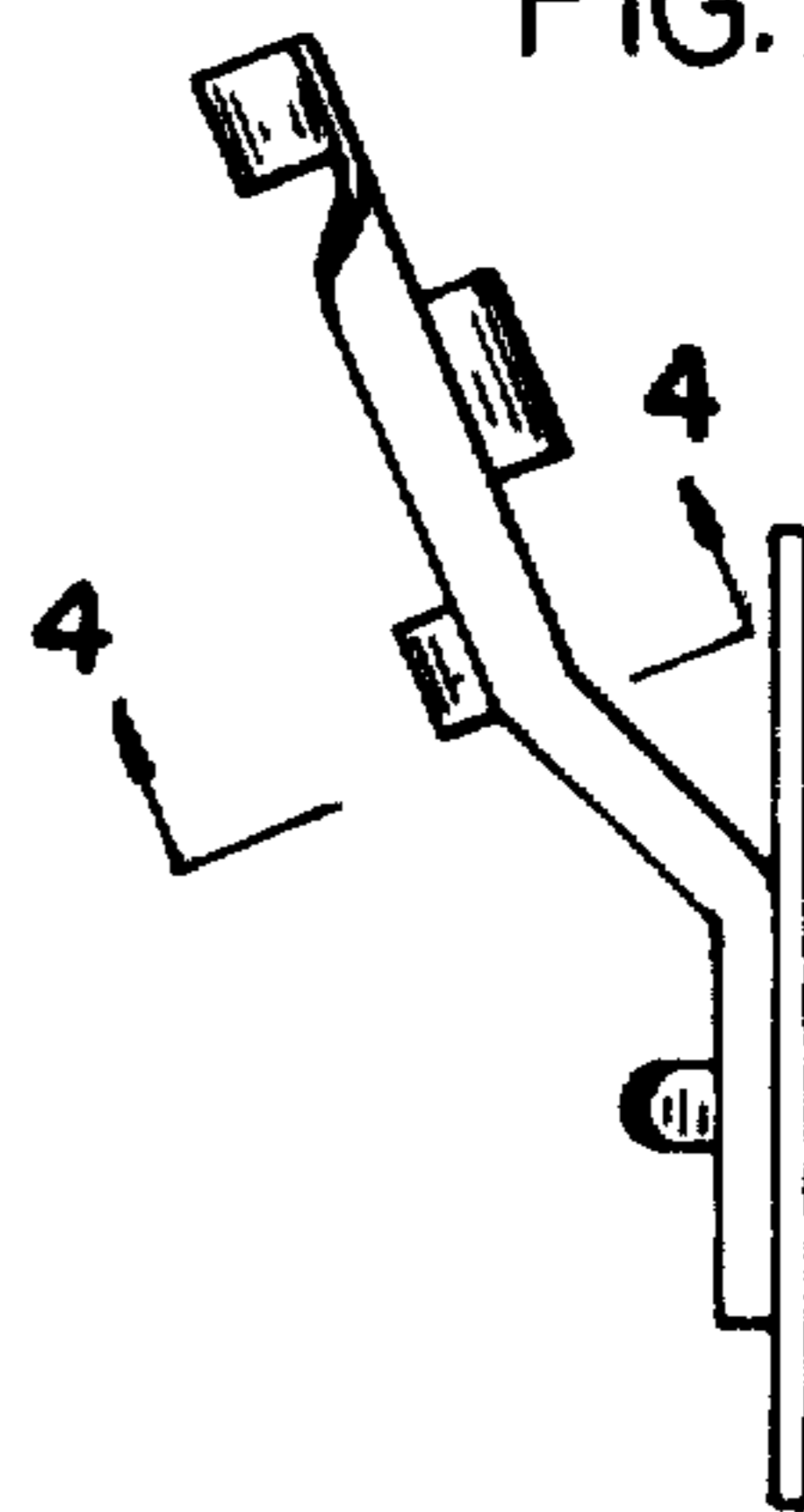


FIG. 3

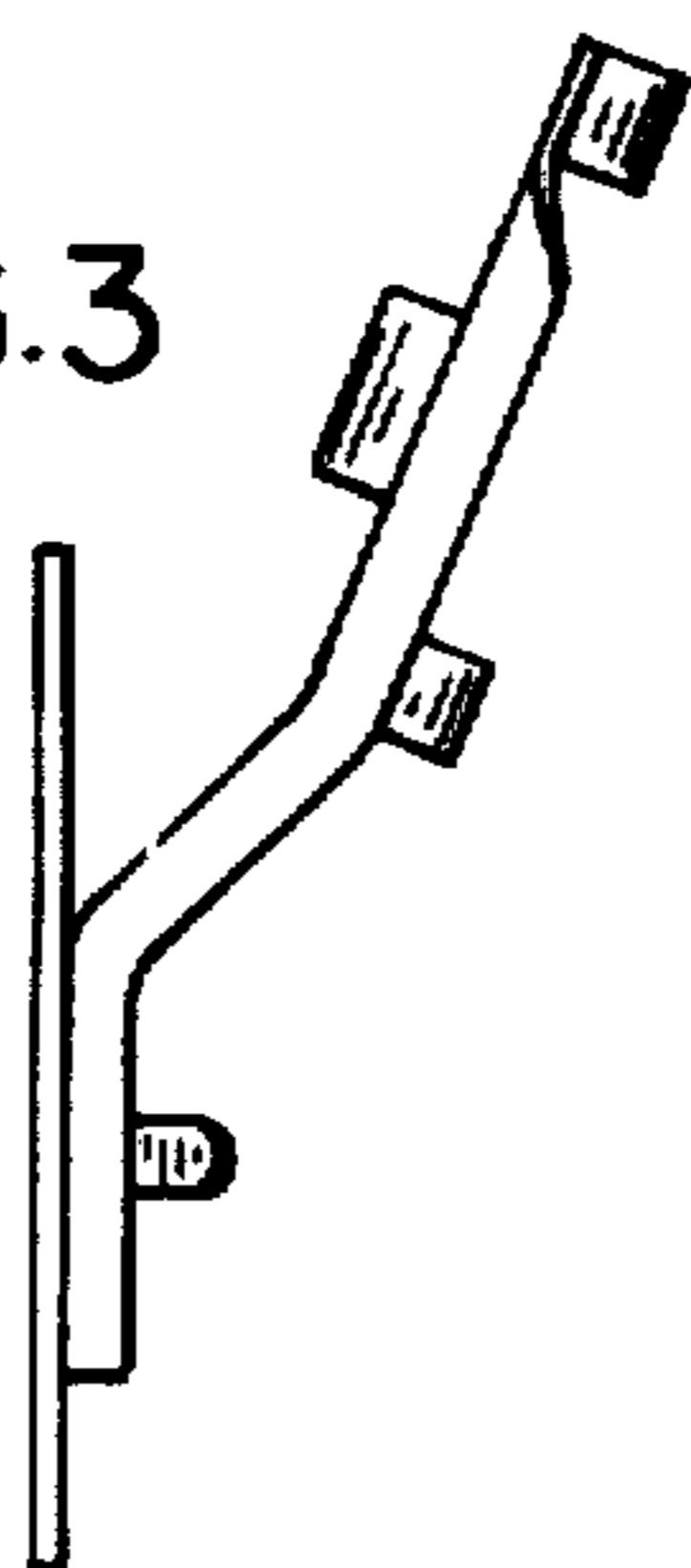


FIG. 4



FIG. 5

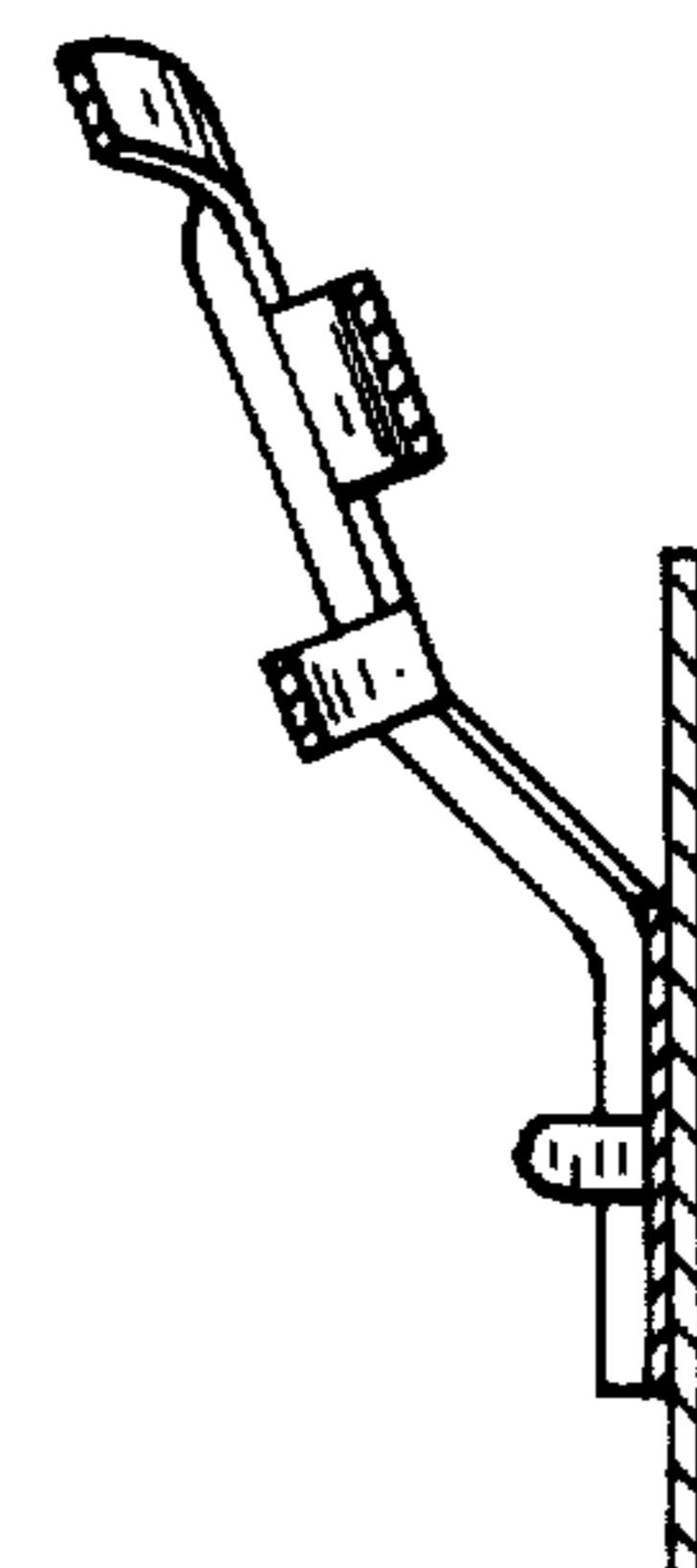


FIG. 7

FIG. 6

