

[54] HOSE CLAMP

[76] Inventor: Shiro Kanao, 18 9 4-chome, Nanpeidai, Takatsukishi, Osaka, Japan

[**] Term: 14 Years

[21] Appl. No.: 192,611

[22] Filed: Sep. 30, 1980

[51] Int. Cl. D8-08

[52] U.S. Cl. D8/396

[58] Field of Search D8/394-396; D23/40, 43, 44; D138/147; 285/252, 254; 24/19, 20 R, 27, 269-272, 273, 283, 286

[56] References Cited

U.S. PATENT DOCUMENTS

D. 230,951	3/1974	Marchese	D8/396
D. 233,733	11/1974	Byerly	D8/396
411,118	9/1889	Bleich et al.	24/20 R
1,540,084	6/1925	Parker	285/252
1,816,197	7/1931	Ruemelin	24/283

2,521,962	9/1950	Banning	24/269
3,389,442	6/1968	Tetzlaff	285/252
4,073,317	2/1978	Ellis	24/270

FOREIGN PATENT DOCUMENTS

785063	8/1935	France	24/269
--------	--------	--------	-------	--------

Primary Examiner—B. J. Bullock
Attorney, Agent, or Firm—Schwartz, Jeffery, Schwaab, Mack, Blumenthal & Koch

[57] CLAIM

The ornamental design for a hose clamp, substantially as shown and described.

DESCRIPTION

FIG. 1 is a front elevational view of a hose clamp showing my new design;
FIG. 2 is a rear elevational view thereof;
FIG. 3 is a top plan view thereof;
FIG. 4 is a bottom plan view thereof;
FIG. 5 is a left side elevational view thereof;
FIG. 6 is a right side elevational view thereof; and
FIG. 7 is a perspective view thereof, showing the clamp in a closed position.

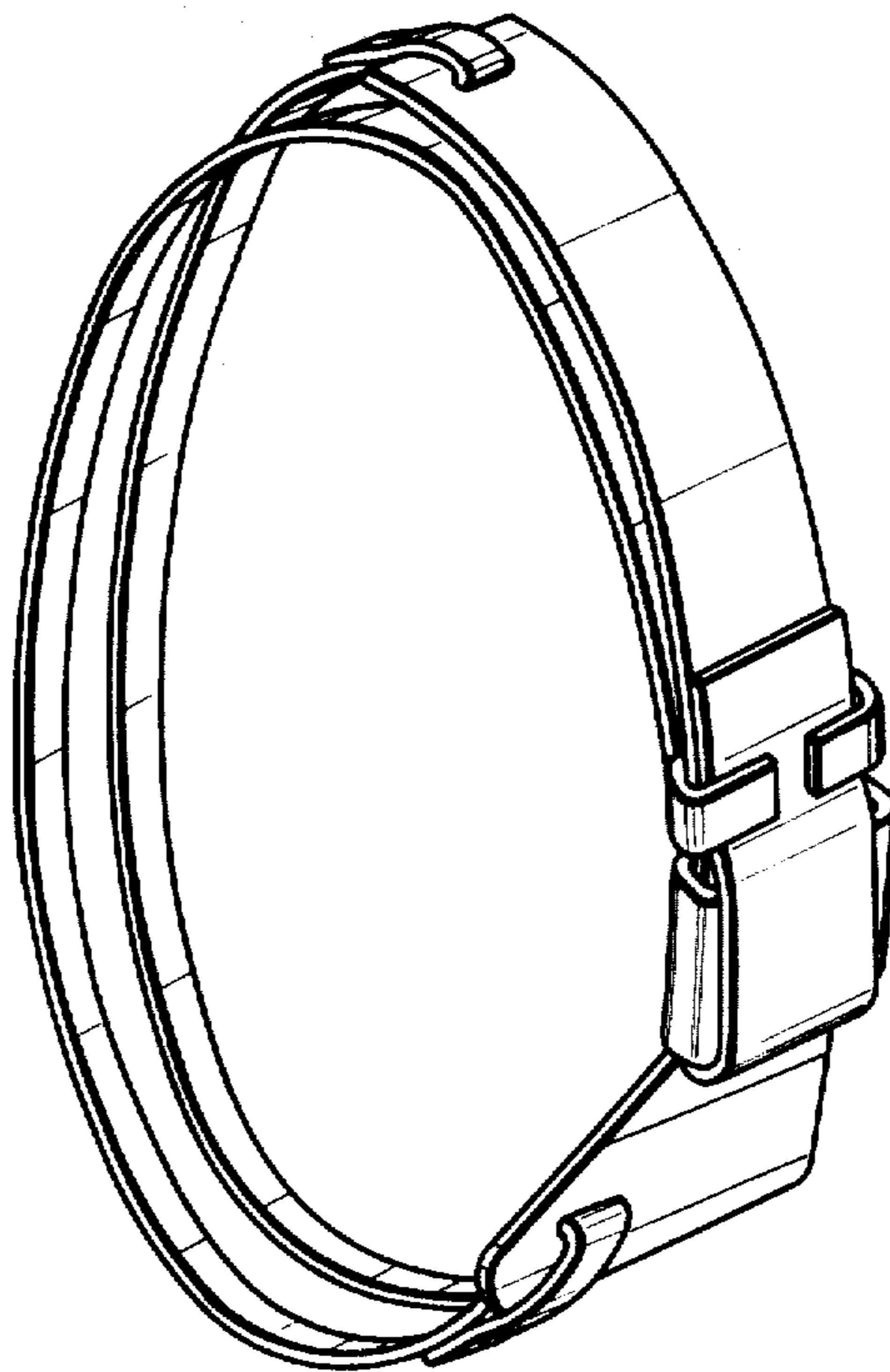


Fig. 1

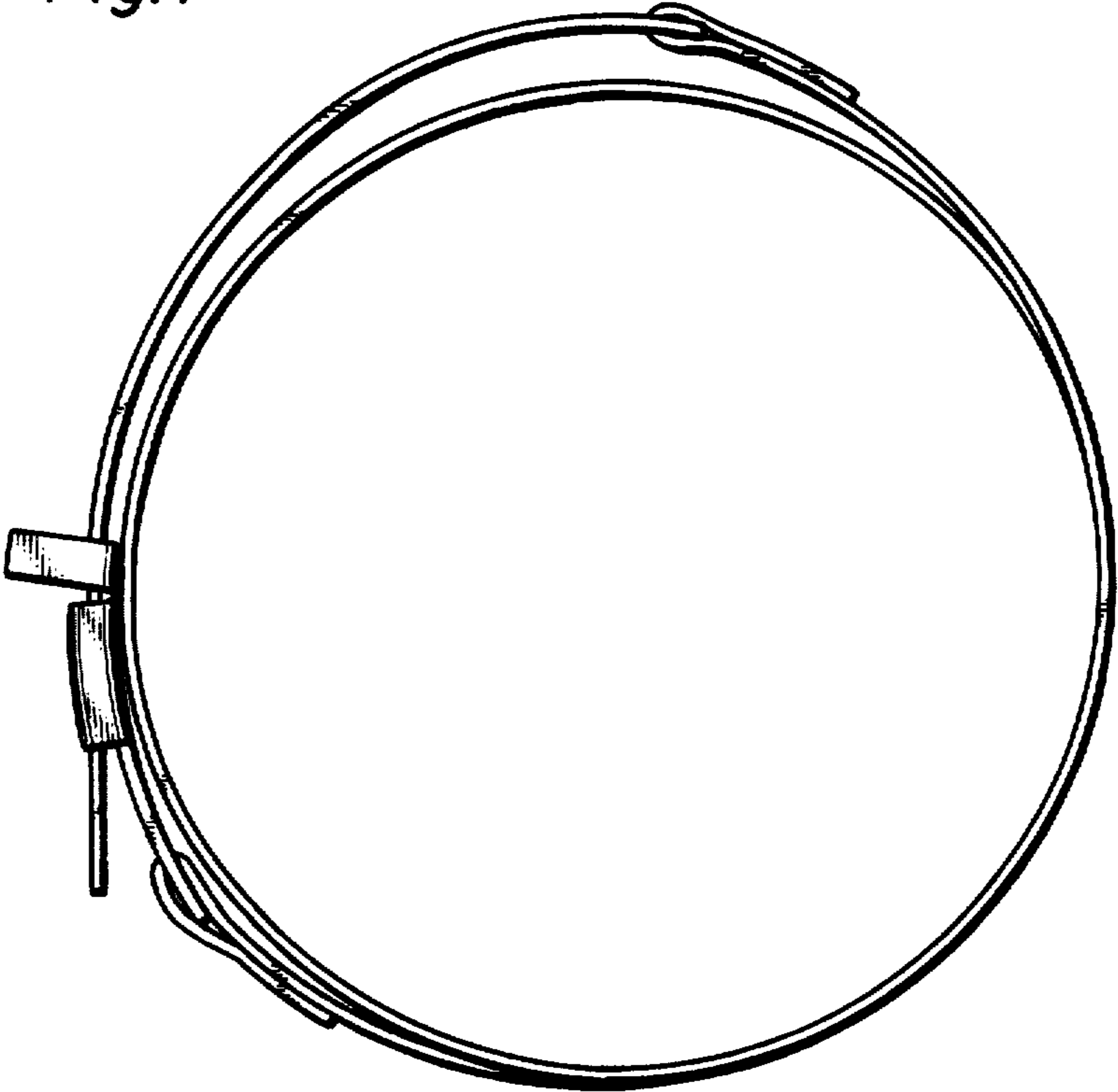


Fig. 2

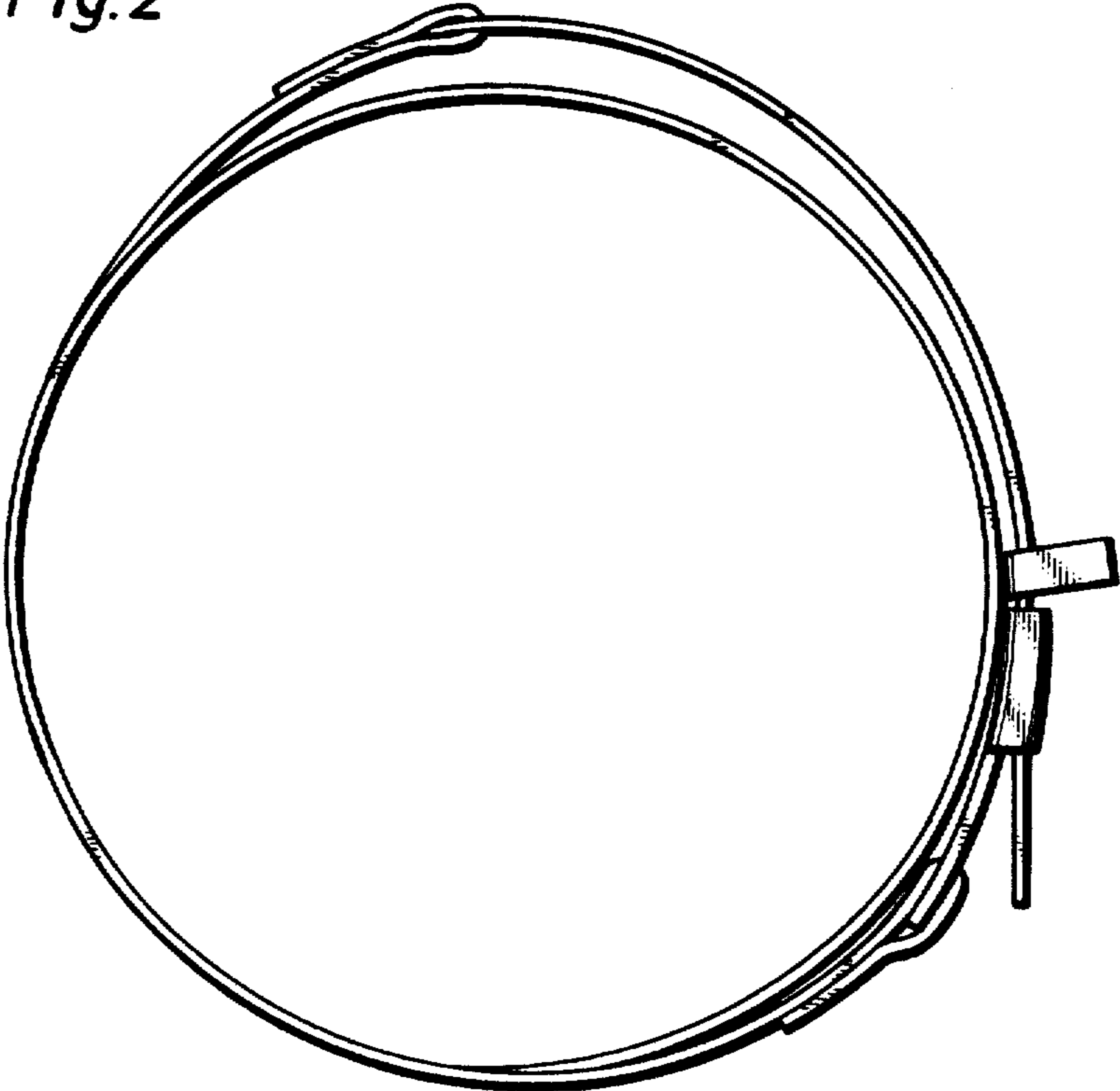


Fig.3

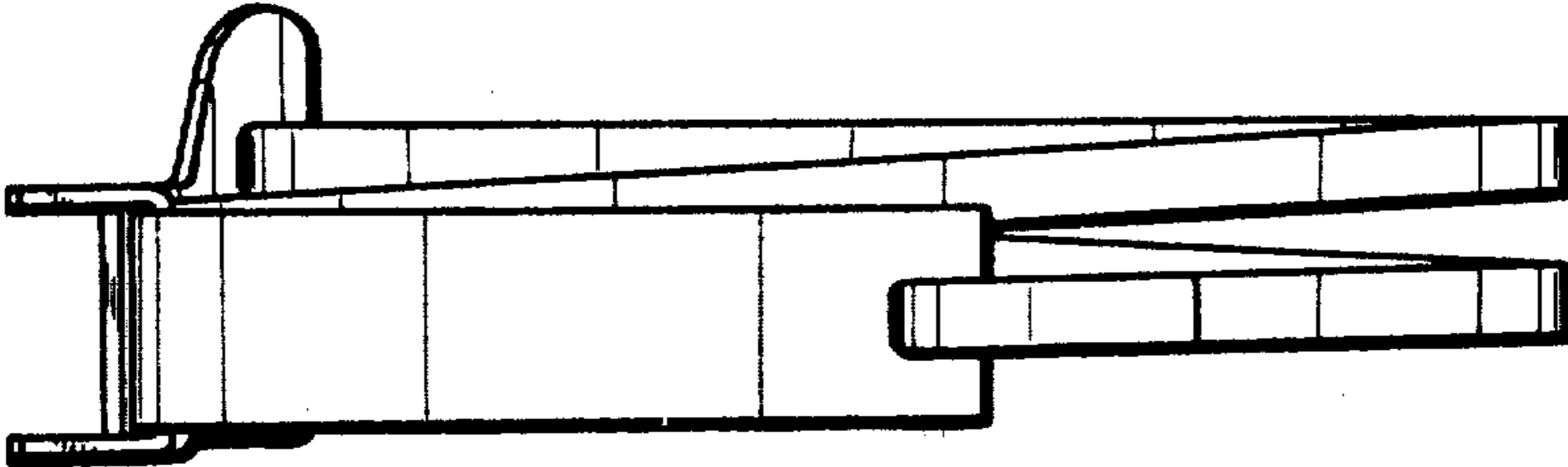


Fig.4

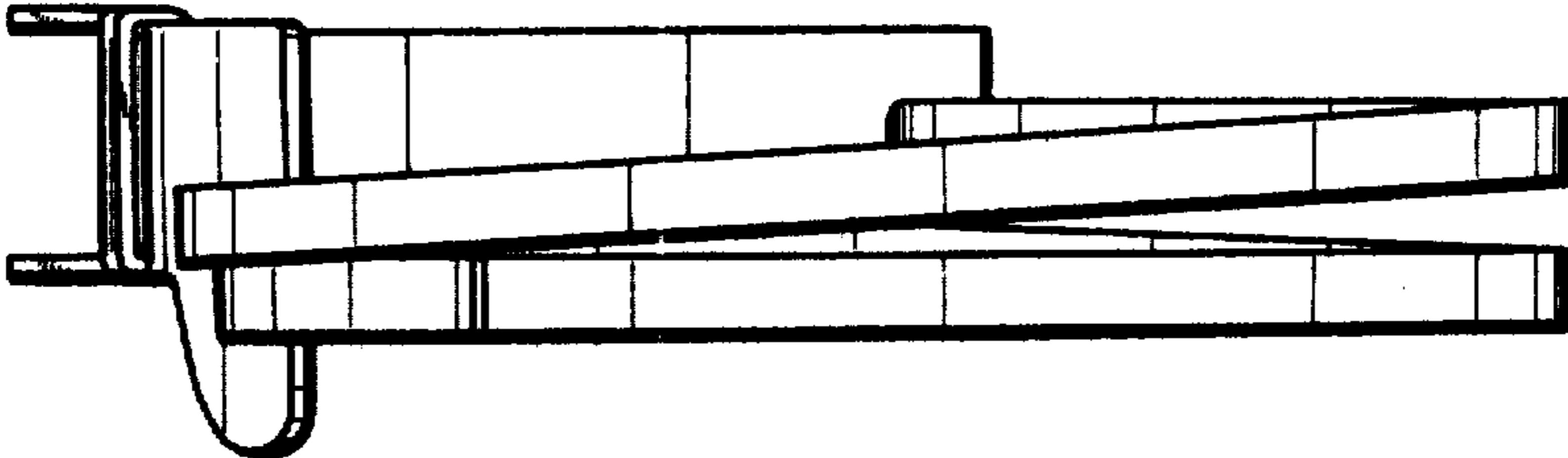


Fig.5

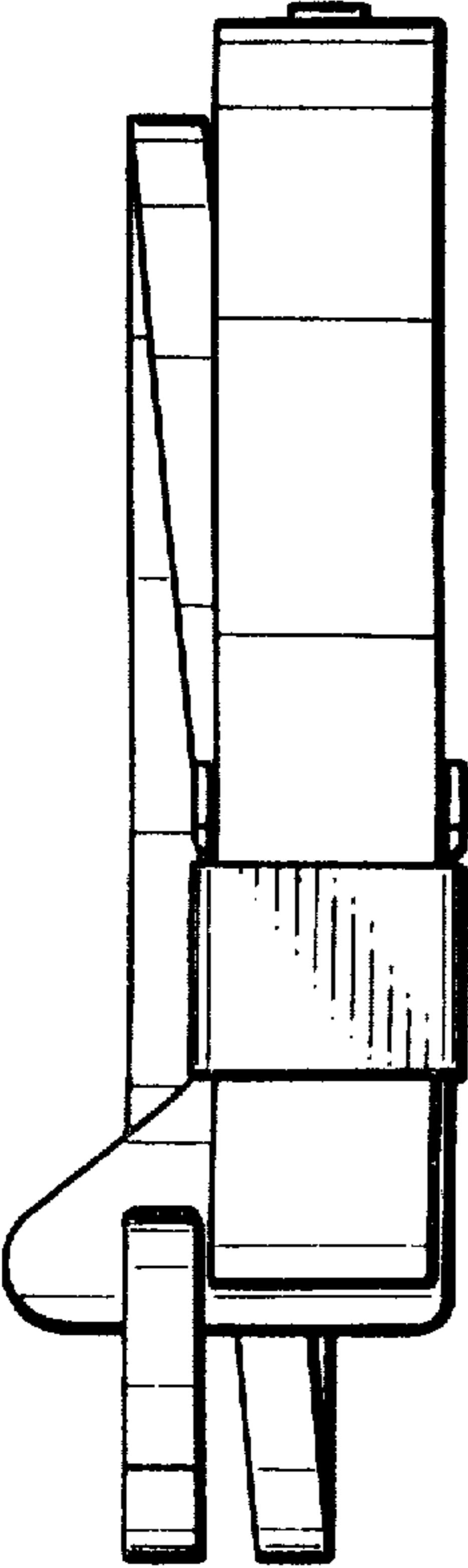


Fig.6

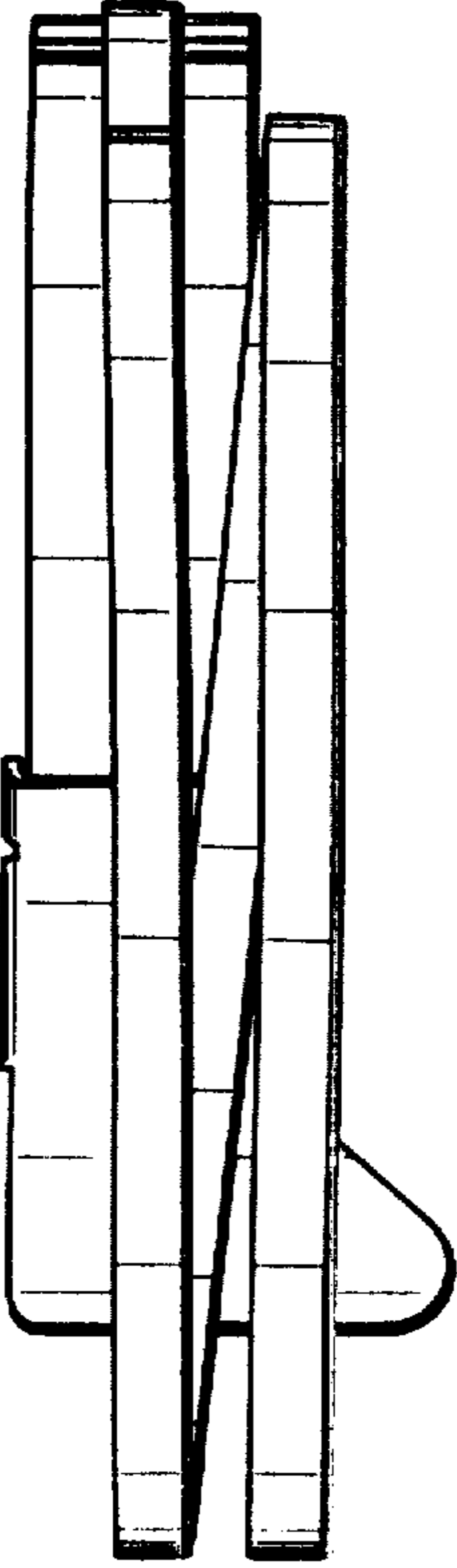


Fig.7

