

[54] PORTABLE BARBECUE GRILL

[76] Inventor: Byron D. Anderson, 4103 S. Pittsburg, Spokane, Wash. 99203

[**] Term: 14 Years

[21] Appl. No.: 304,514

[22] Filed: Sep. 21, 1981

[51] Int. Cl. D7-04

[52] U.S. Cl. D7/337; D7/360

[58] Field of Search D7/332, 333, 334, 335, D7/336, 337, 354, 360, 366, 367; 126/25 R, 25 A, 25 AA, 25 B, 25 C, 9 R, 9 A, 9 B, 29, 30

[56] References Cited

U.S. PATENT DOCUMENTS

- D. 207,861 6/1967 Felske D7/360
- D. 234,286 2/1975 Makenny et al. D7/337
- D. 235,959 7/1975 Allander D7/337

OTHER PUBLICATIONS

Housewares Review, Jun. 1962, p. 76, Matco Products Inc., Portable grill.

Primary Examiner—Wallace R. Burke

Assistant Examiner—L. Wilder

Attorney, Agent, or Firm—Wells, St. John & Roberts

[57] CLAIM

The ornamental design for a portable barbecue grill, as shown and described.

DESCRIPTION

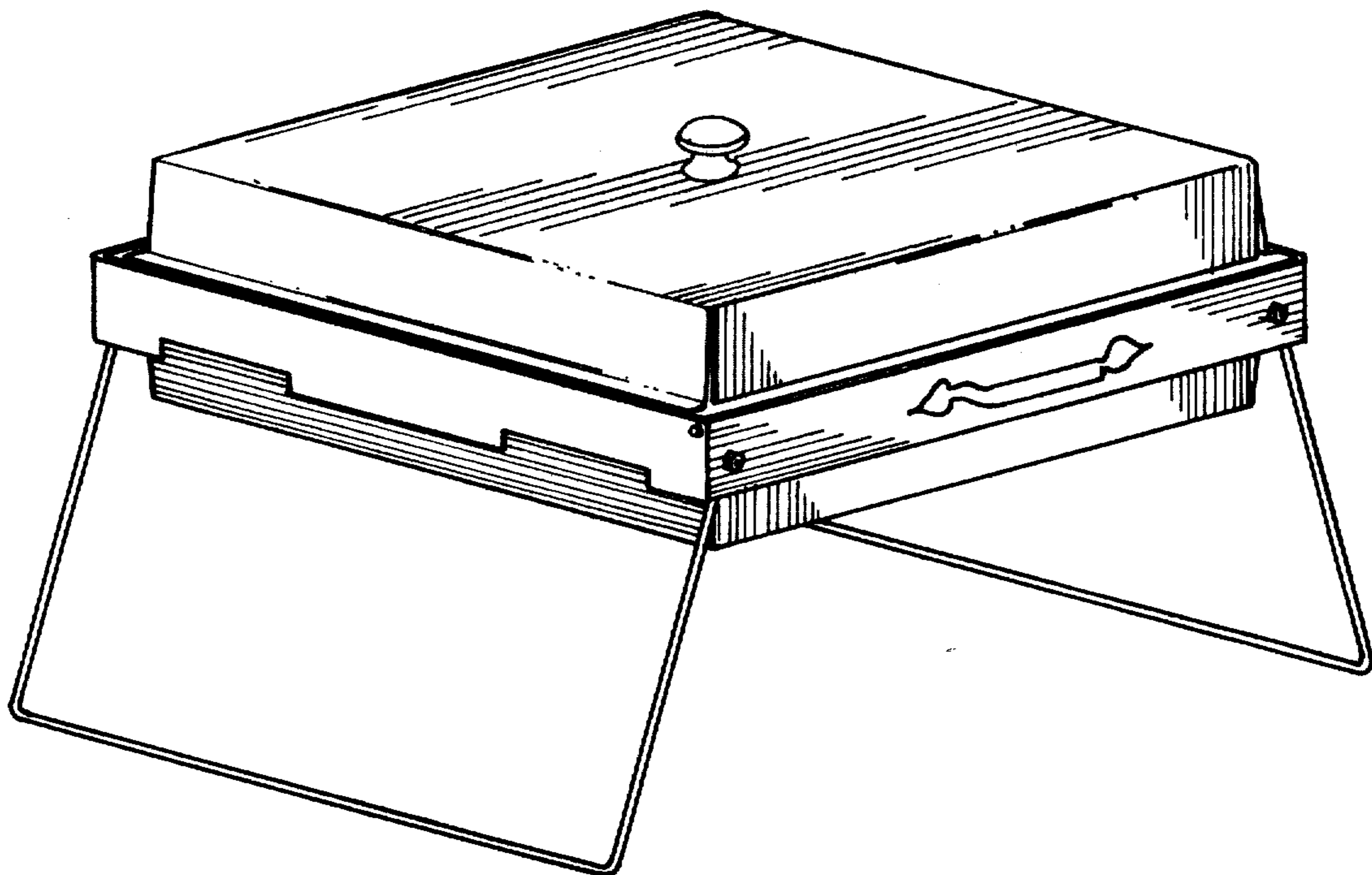
FIG. 1 is a perspective view of a barbecue grill showing my new design;

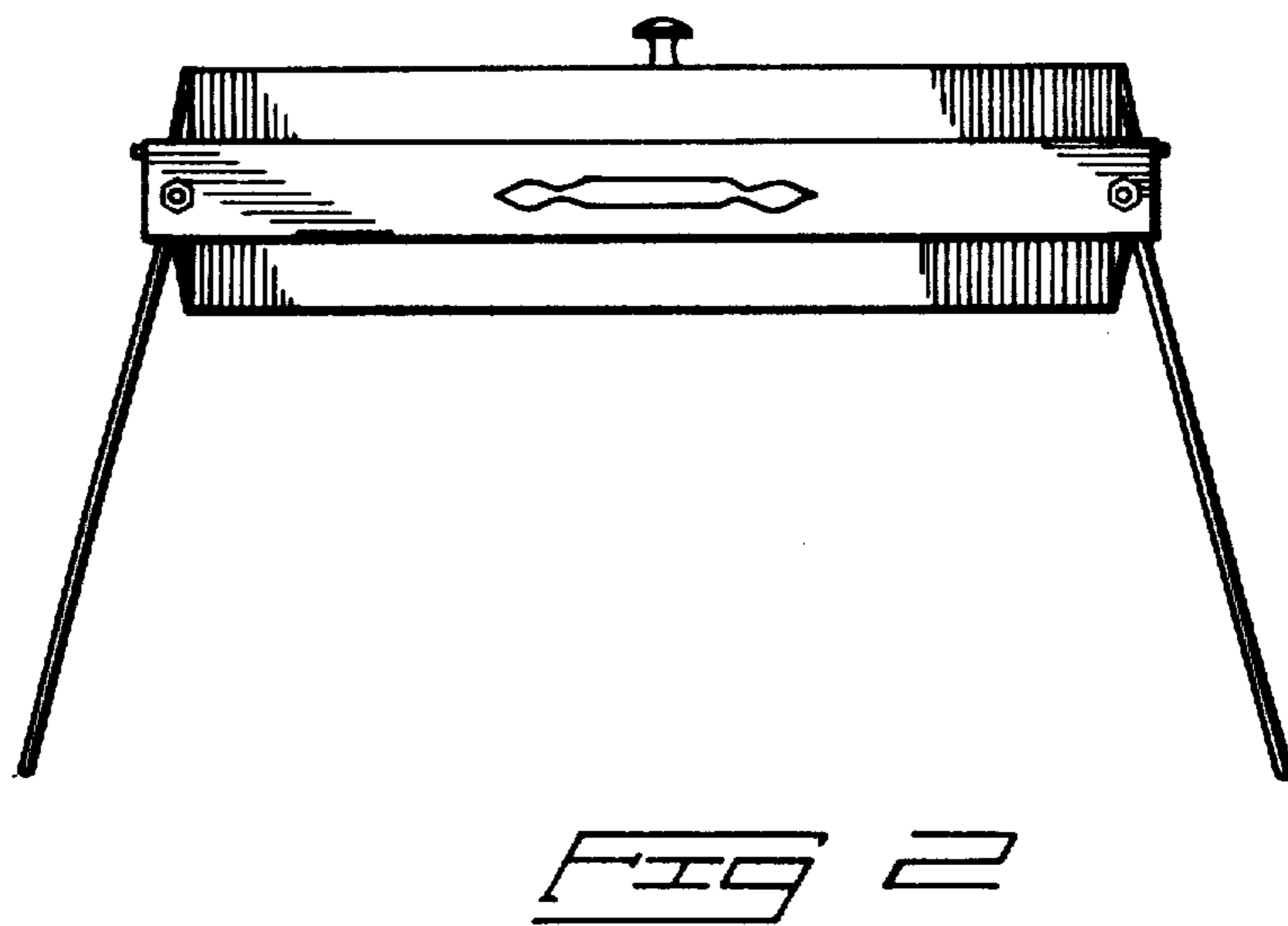
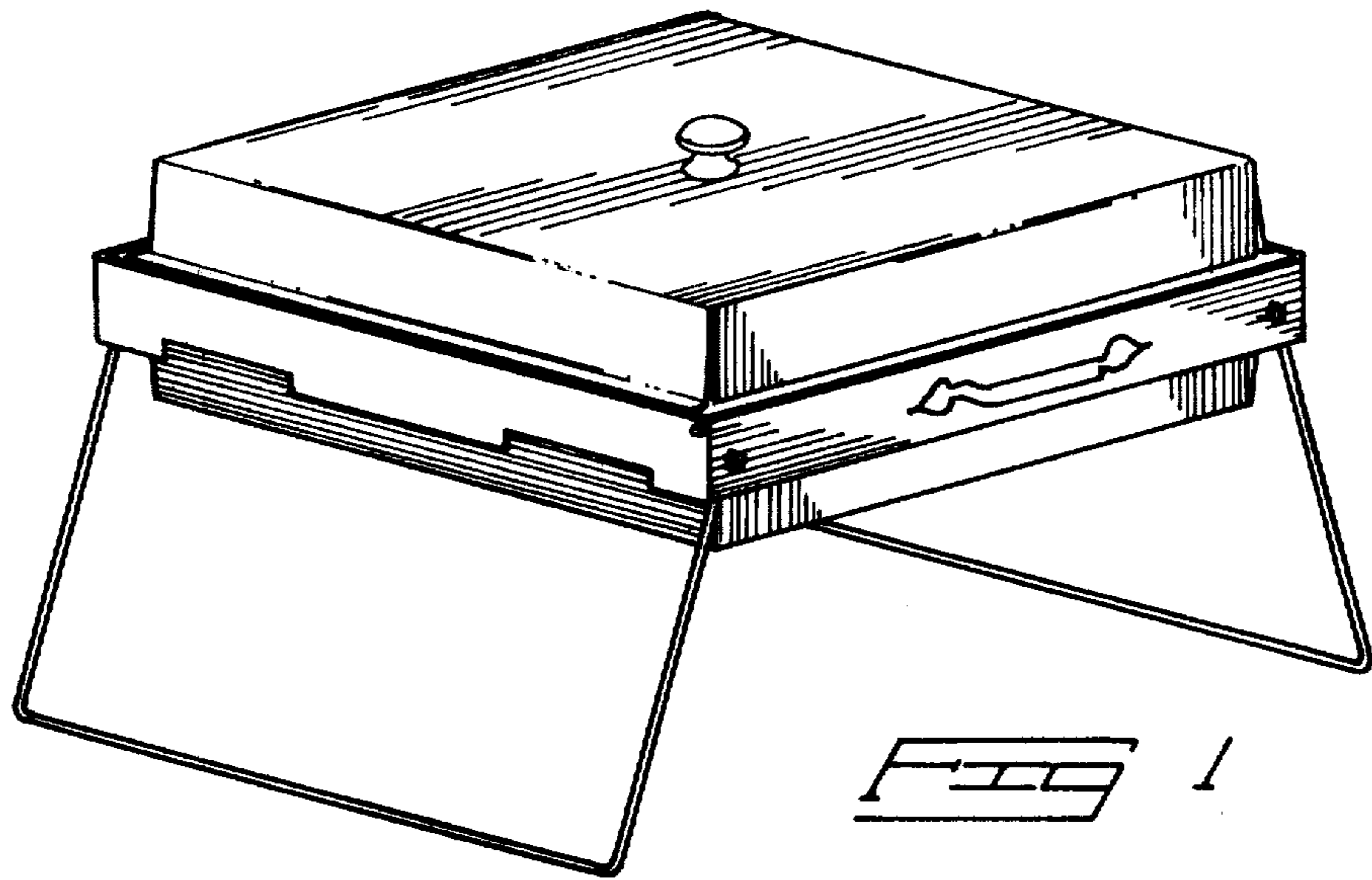
FIG. 2 is a front view thereof;

FIG. 3 is a rear view thereof;

FIG. 4 is a side view, the opposite side being a mirror image; and

FIG. 5 is a top view thereof.





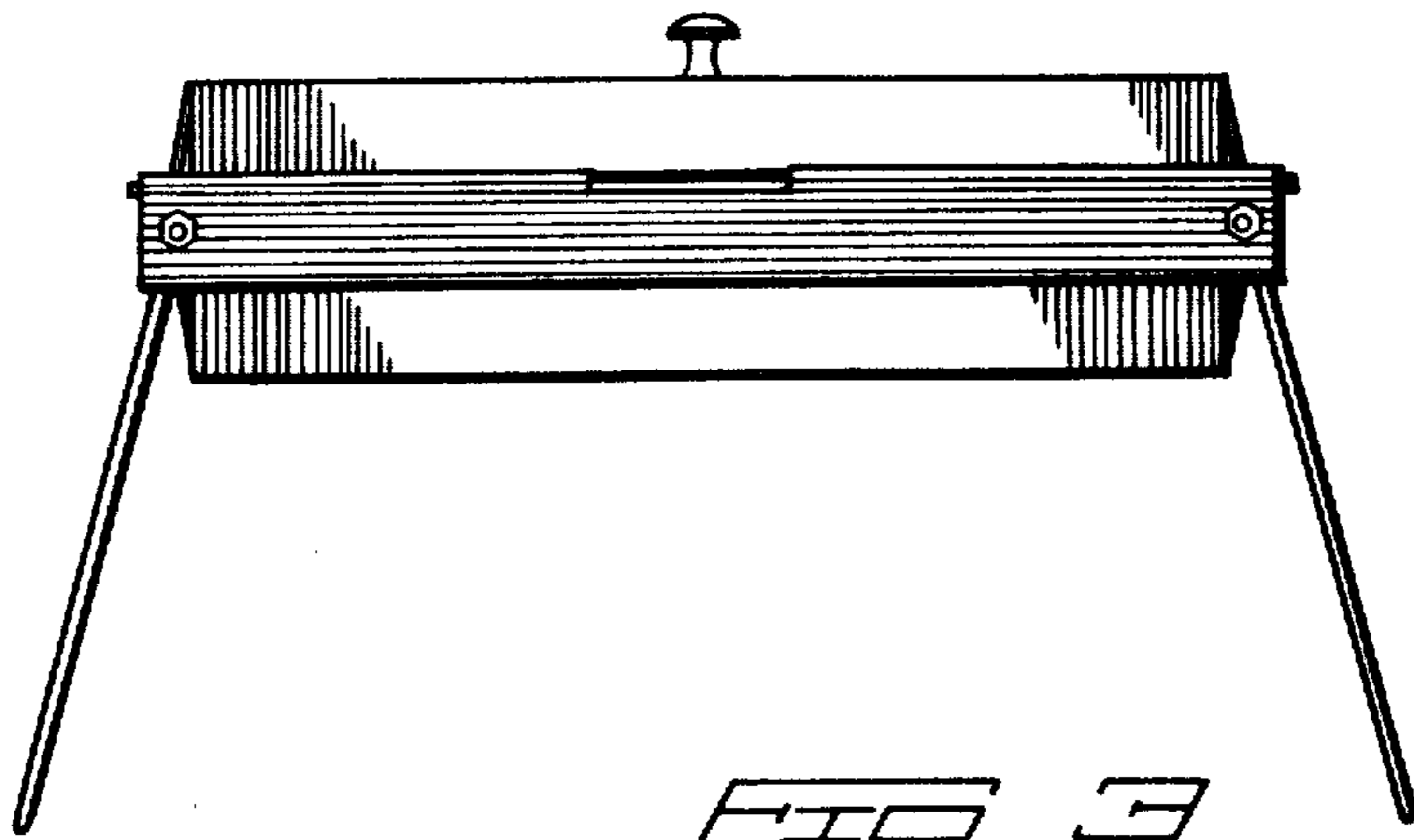


FIG 3

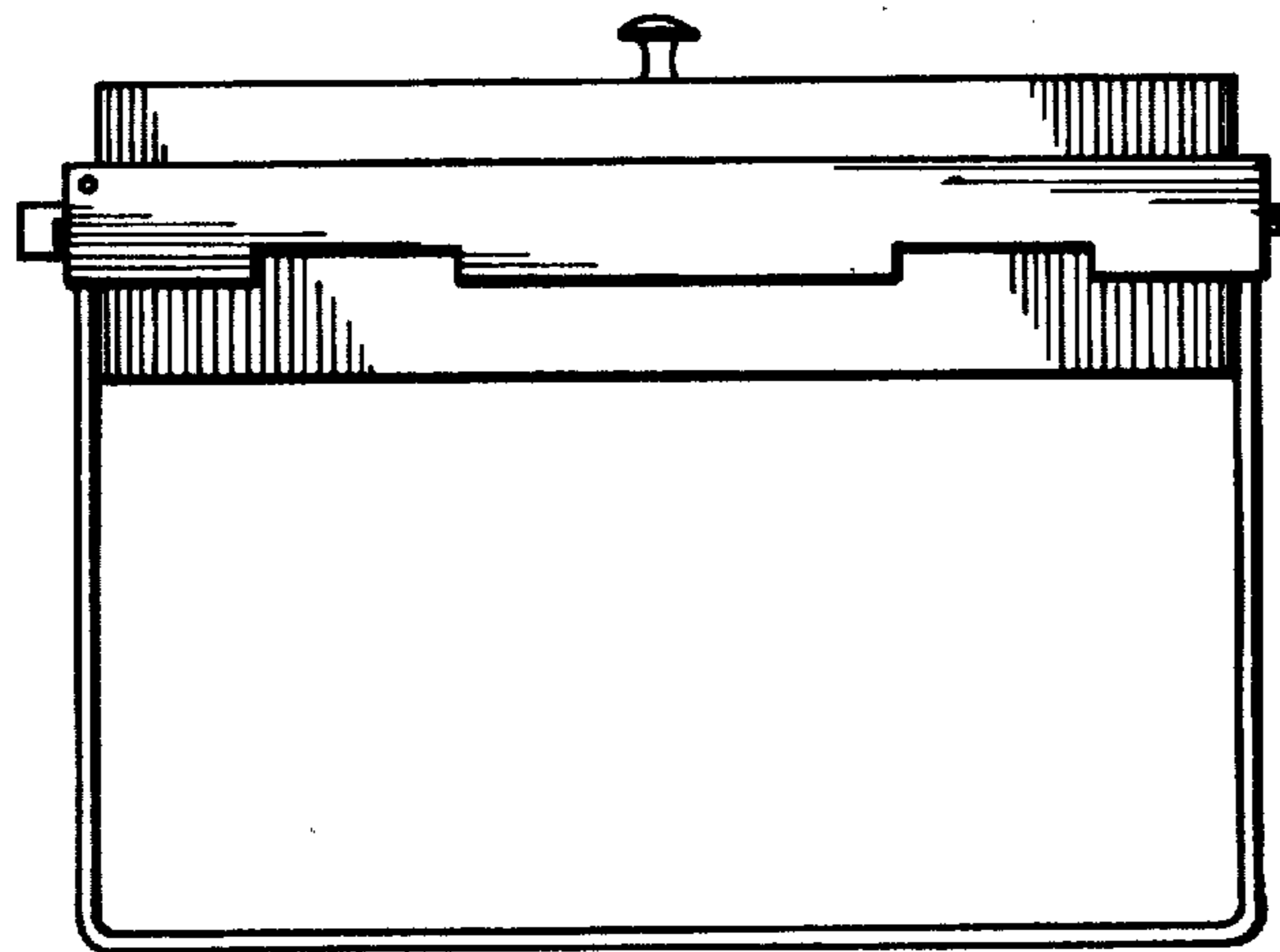


FIG 4

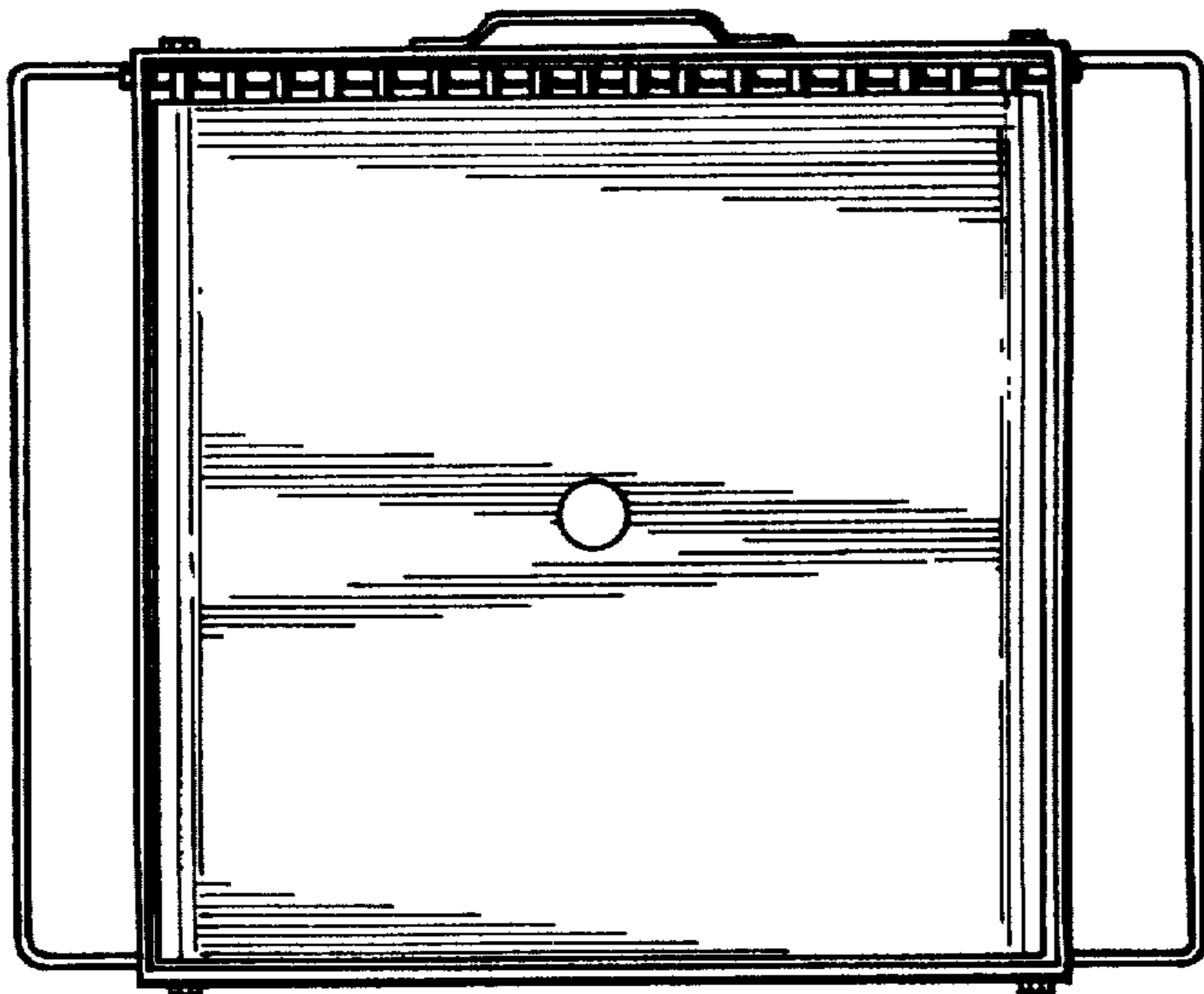


FIG 5