

[54] **BARBECUE**

[76] Inventor: **John H. Scheufler**, 3940 Gresham #315, San Diego, Calif. 92109

[**] Term: **14 Years**

[21] Appl. No.: **241,705**

[22] Filed: **Mar. 9, 1981**

[51] Int. Cl. **D7-04**

[52] U.S. Cl. **D7/335**

[58] Field of Search **D7/332, 333, 334, 335, D7/336, 337; 126/25 R, 25 A, 25 AA, 25 B, 25 C, 9 R, 9 A, 9 B**

3,765,397 10/1973 Henderson 126/25 B

FOREIGN PATENT DOCUMENTS

1372 of 1915 United Kingdom 126/9 R

Primary Examiner—Wallace R. Burke
Assistant Examiner—Lynn Wilder
Attorney, Agent, or Firm—Brown & Martin

[57] **CLAIM**

The ornamental design for a barbecue, substantially as shown and described.

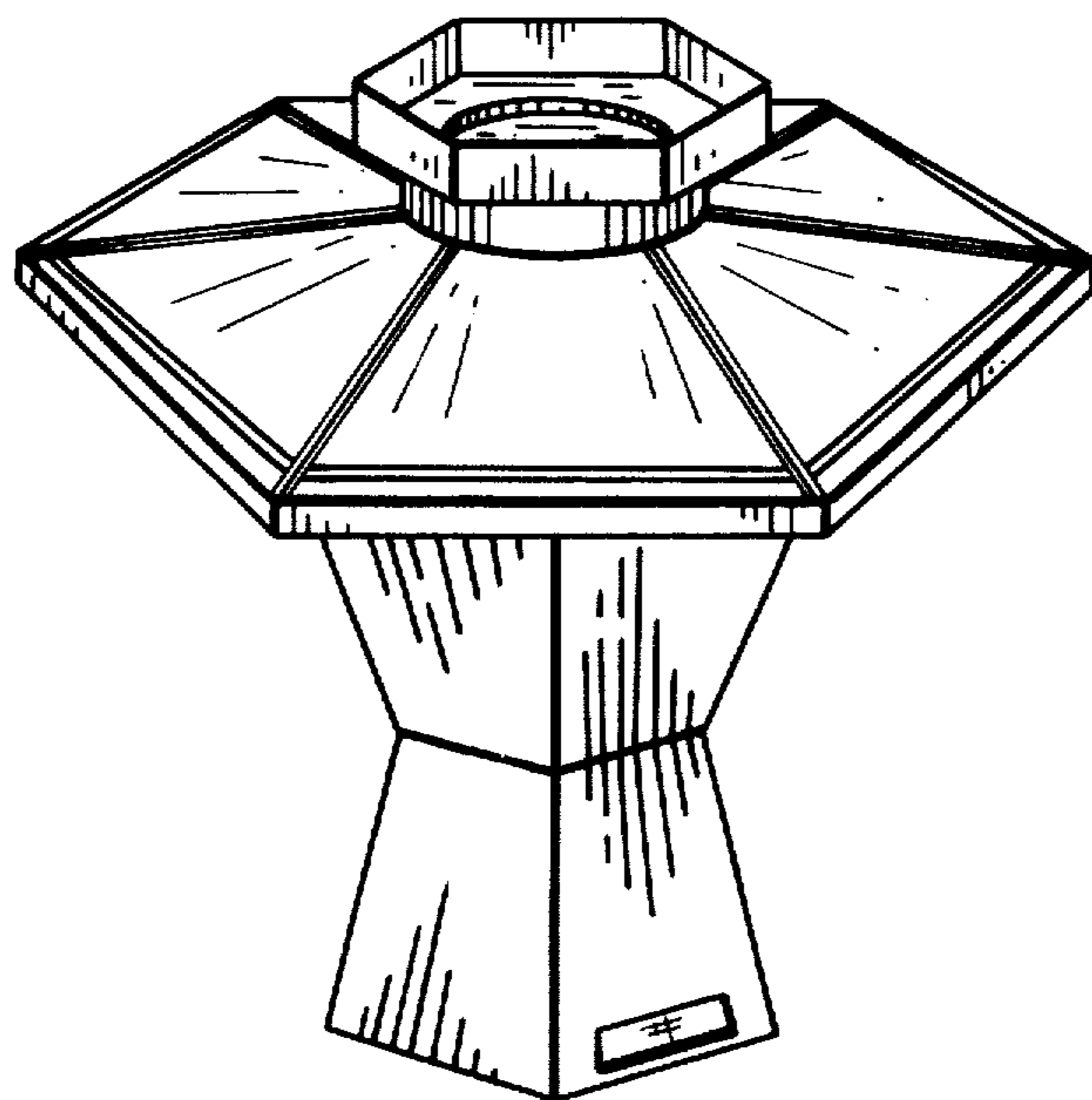
DESCRIPTION

FIG. 1 is a perspective view of a barbecue showing my new design;
 FIG. 2 is a side elevational view thereof;
 FIG. 3 is a top elevational view thereof; and
 FIG. 4 is a bottom elevational view thereof.

[56] **References Cited**

U.S. PATENT DOCUMENTS

971,347 9/1910 Bentley 126/9 B



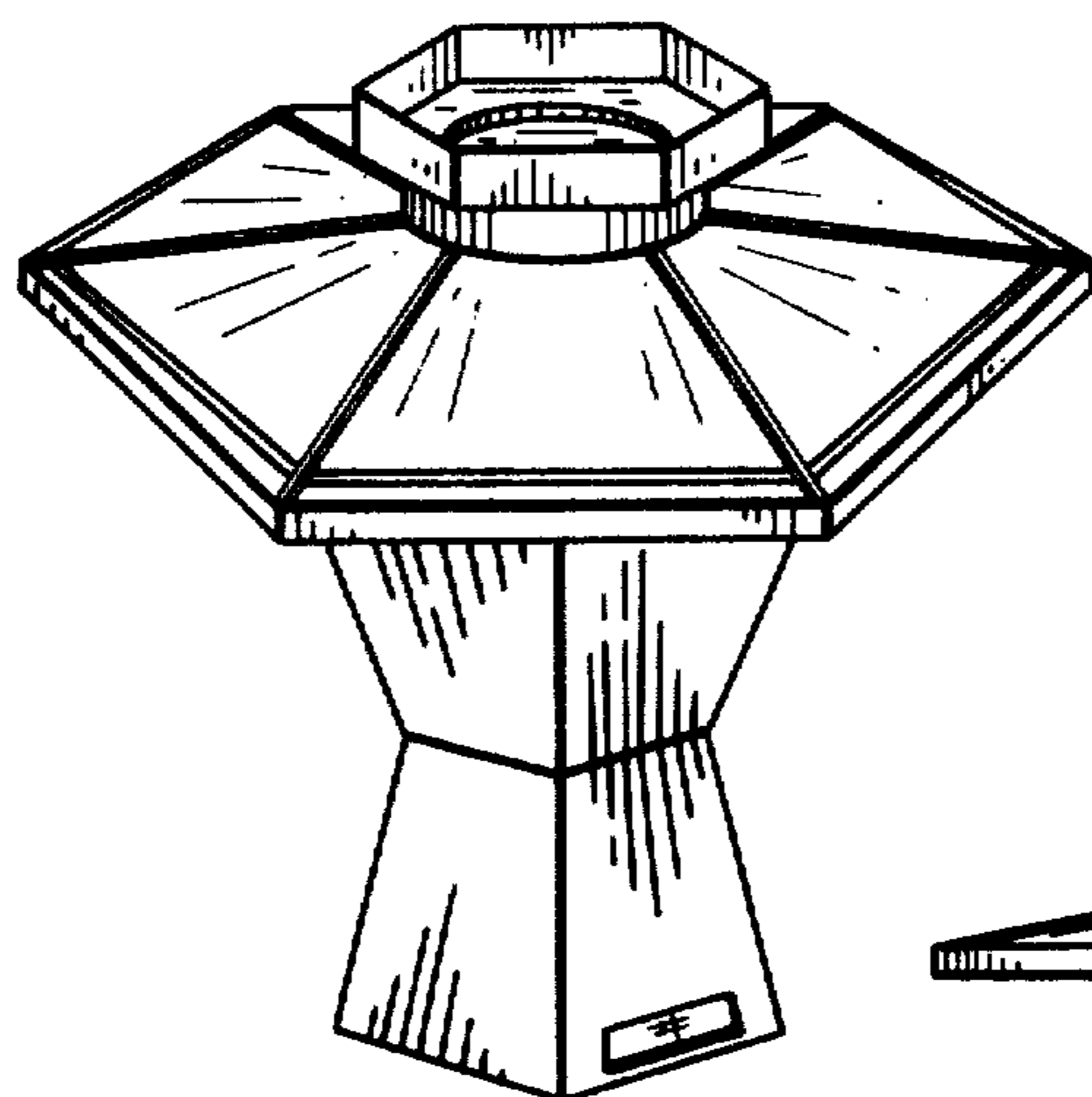


FIG. 1

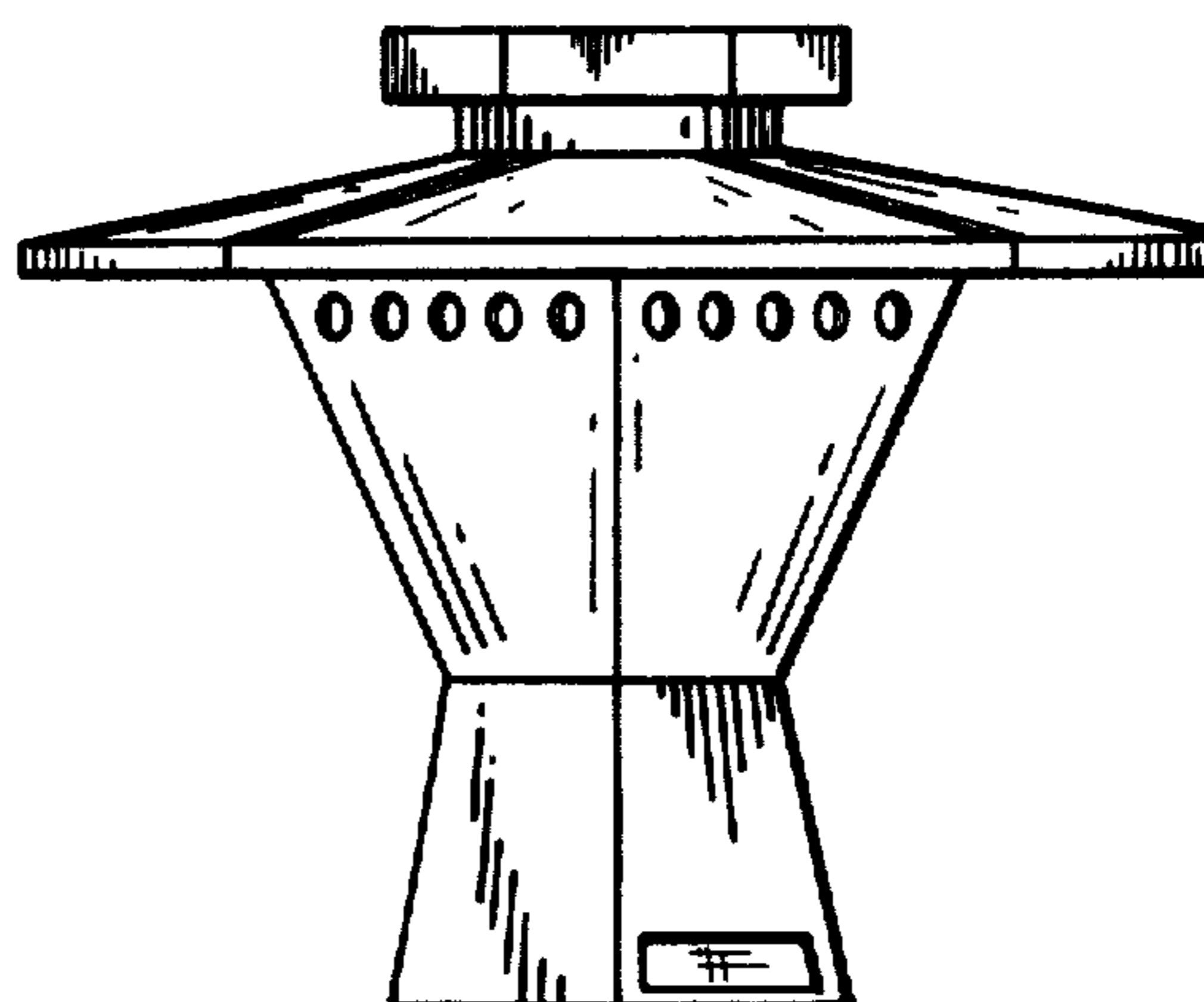


FIG. 2

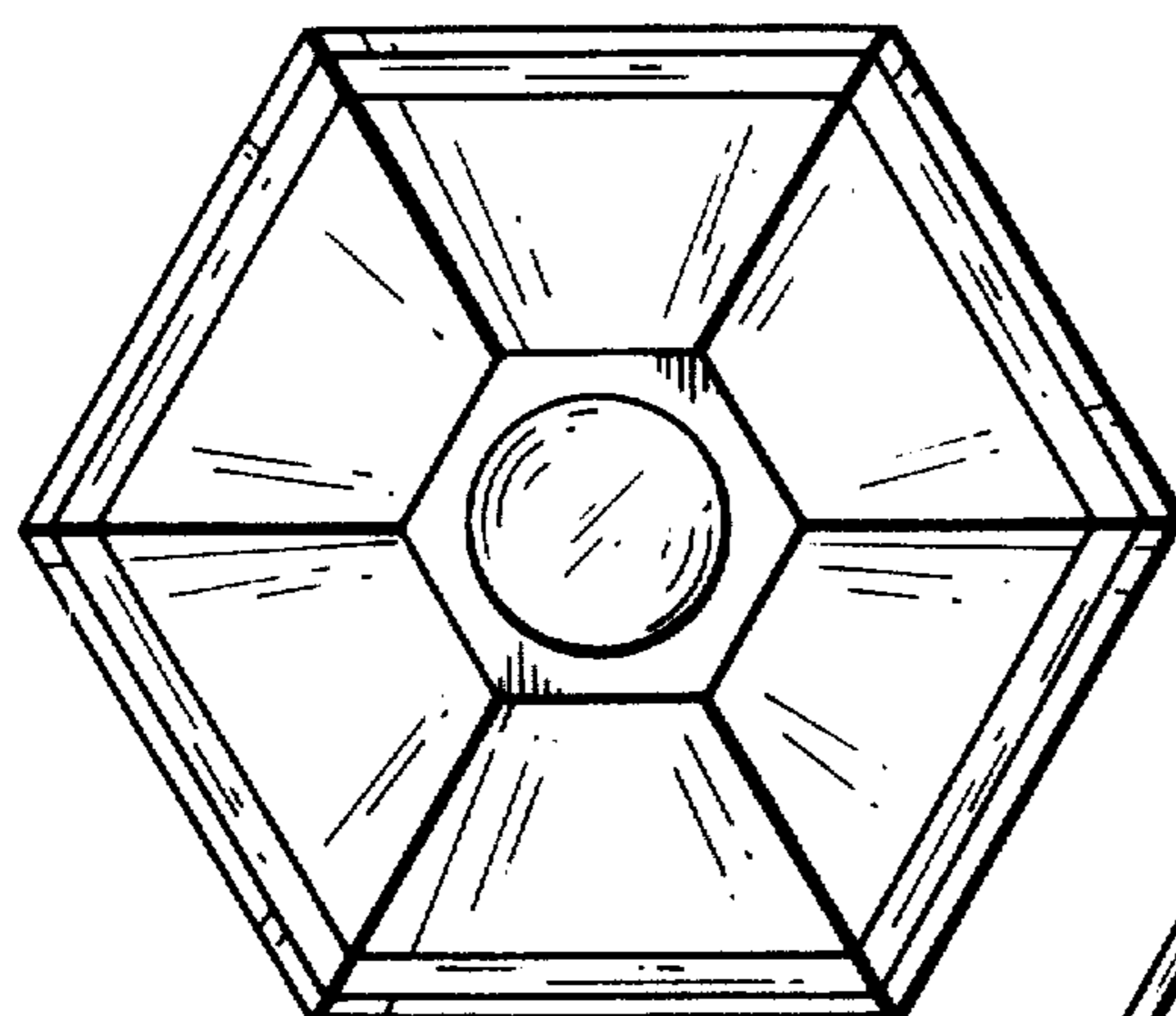


FIG. 3

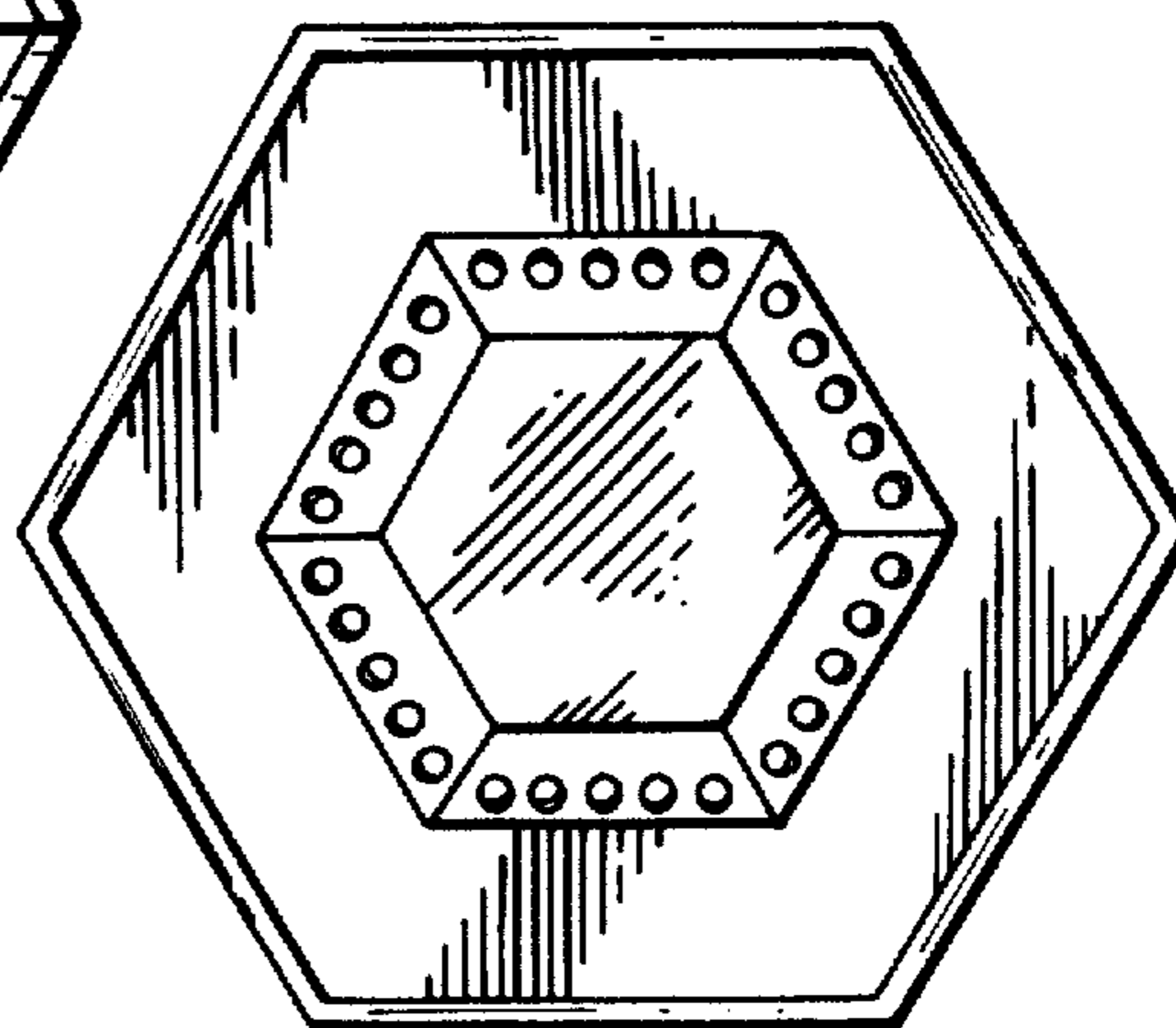


FIG. 4