

[54] CRIB FOOTBOARD

2,442,048 5/1948 Kroll et al. D6/16 X

[75] Inventors: Merlin A. Brunner, New London; Harvey J. Draheim, Weyauwega; Michael J. Schaffer, New London, all of Wis.

OTHER PUBLICATIONS

Sears Roebuck & Co. Cat., S & S, 1979, p. 408, item 6, Crib.

[73] Assignee: Simmons Universal Corporation, New York, N.Y.

Primary Examiner—Bruce W. Dunkins

[**] Term: 14 Years

[57] CLAIM

[21] Appl. No.: 246,357

The ornamental design for a crib footboard, as shown and described.

[22] Filed: Mar. 23, 1981

DESCRIPTION

[51] Int. Cl. D6-06

FIG. 1 is a front view of the crib footboard of the present invention;

[52] U.S. Cl. D6/198

FIG. 2 is side view thereof;

[58] Field of Search D6/13, 5, 14, 15, 16, D6/79, 83; 5/53 R, 93 R, 95

FIG. 3 is a top view thereof;

FIG. 4 is a sectional view taken along line 4-4 of FIG. 1; and

[56] References Cited

U.S. PATENT DOCUMENTS

FIG. 5 is a sectional view taken along line 5-5 of FIG. 1.

D. 229,905 1/1974 Jacobs et al. D6/14

The rear surface of the footboard is conventional in appearance.

D. 231,285 4/1974 Jacobs et al. D6/14

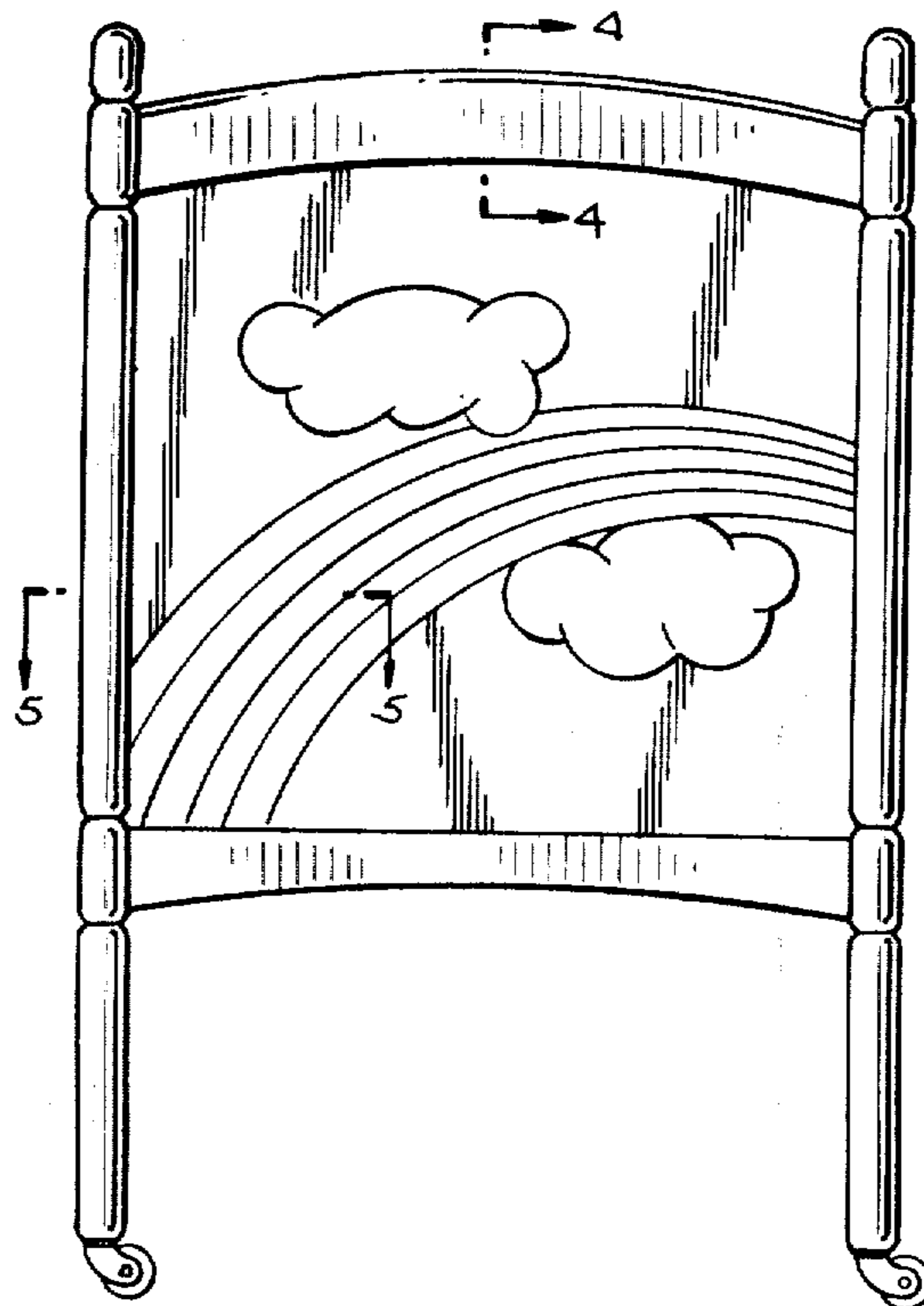


Fig. 1.

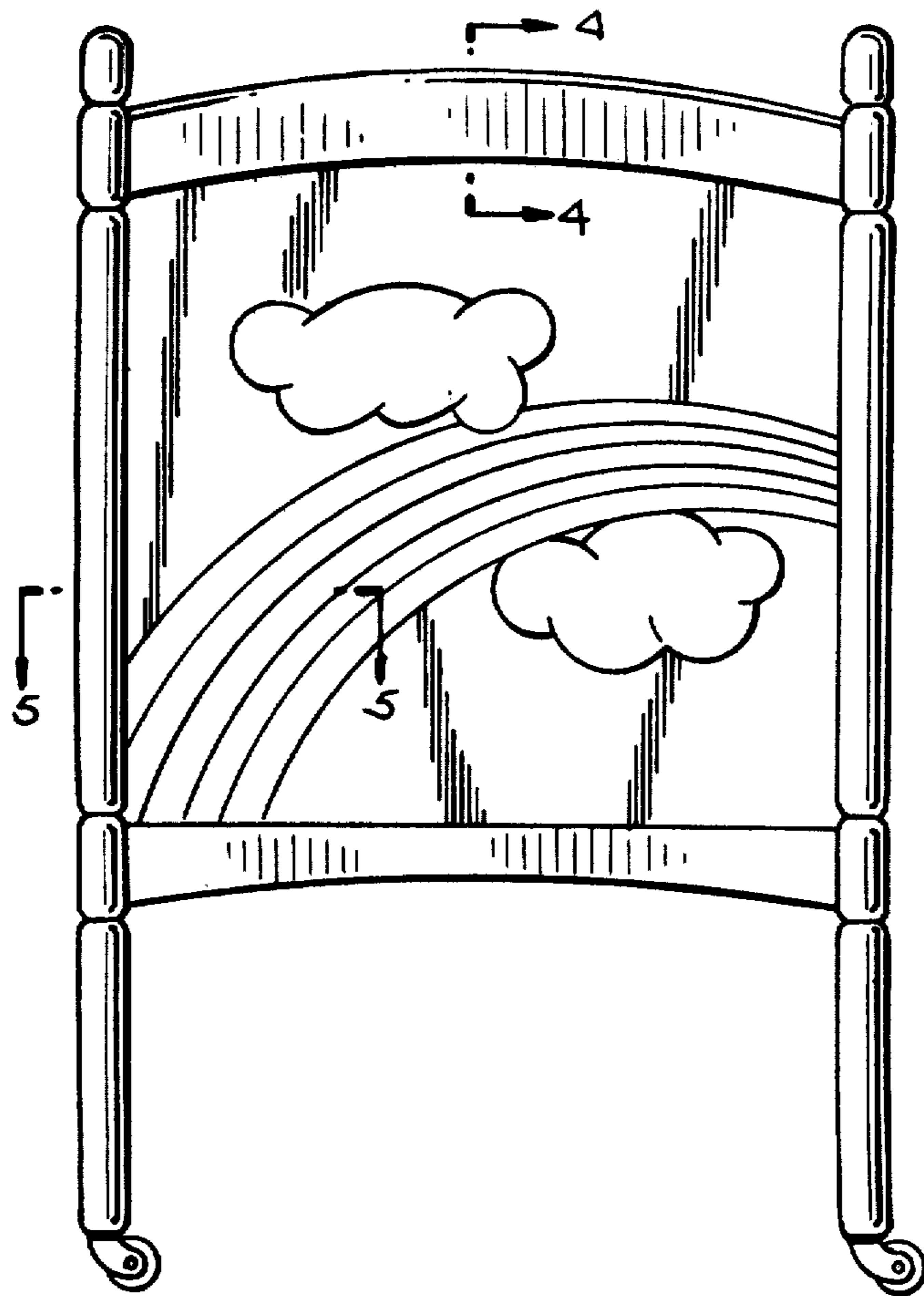


Fig. 2.



Fig. 4.

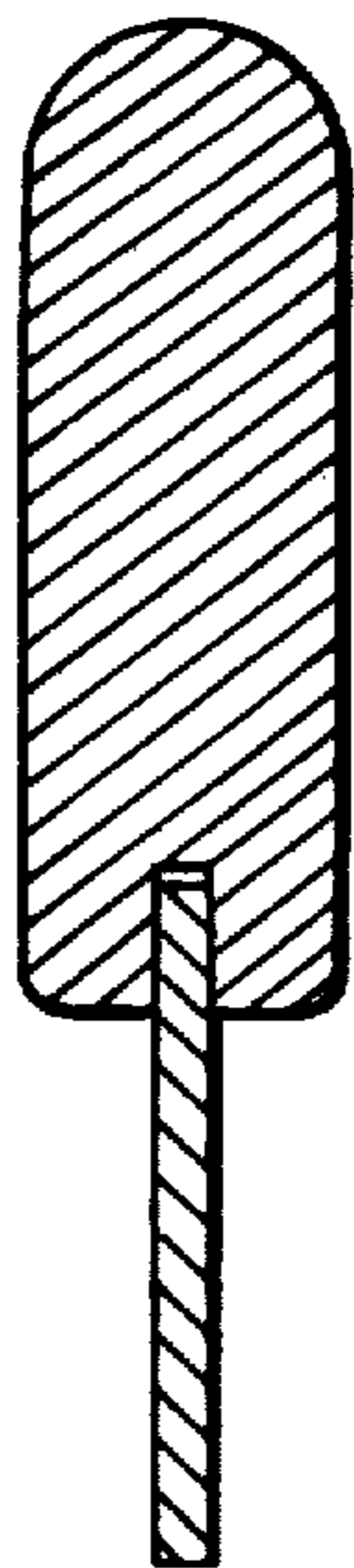


Fig. 5.

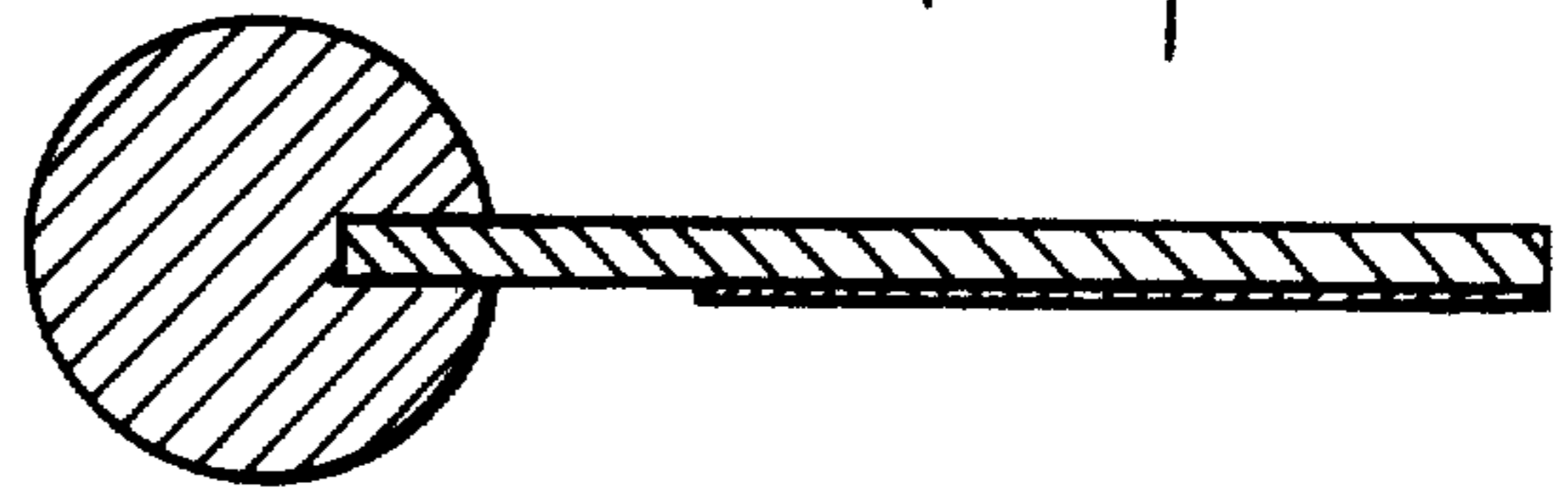


Fig. 3.

