

[54] COMBINED CLEANING COMPONENT HOLDERS AND TRAY THEREFOR

[75] Inventor: Raymond J. Cuminale, New York, N.Y.

[73] Assignee: General Mills Products Corp., Minneapolis, Minn.

[**] Term: 14 Years

[21] Appl. No.: 91,620

[22] Filed: Nov. 5, 1979

[51] Int. Cl. D06-04

[52] U.S. Cl. D6/146; D6/85; D6/188; D7/38

[58] Field of Search D6/1, 4, 85, 146, 157, D6/181, 186, 199, 188, 149; D7/37, 38, 75; D9/341, 347; D19/77, 78, 79; D28/73, 76; D99/50; 206/223, 562, 563, 566, 45.19

[56] References Cited

U.S. PATENT DOCUMENTS

D. 70,915	8/1926	Salz	D19/79
D. 83,173	1/1931	Pineda	D19/79
D. 97,186	10/1935	Goldberg	D9/347
D. 199,738	12/1964	Davis	D7/38
D. 253,929	1/1980	Epperson	D6/149 X

OTHER PUBLICATIONS

Interiors, Nov. 1962; p. 123, Six-Sided Table on center of page.

Jewelers' Cicular Keystone Directory Issue, Jun. 21, 1976, p. 525, Rectangular Tray with Compartments at top of page.

Primary Examiner—Joel Stearman

Assistant Examiner—Carmen H. Vales

Attorney, Agent, or Firm—MeRoy Lillehaugen; Gene O. Enockson

[57] CLAIM

The ornamental design for a combined cleaning component holders and tray therefor, substantially as shown and described.

DESCRIPTION

FIG. 1 is a top plan view of the combined cleaning component holders and tray therefor showing my new design;

FIG. 2 is a front elevational view thereof;

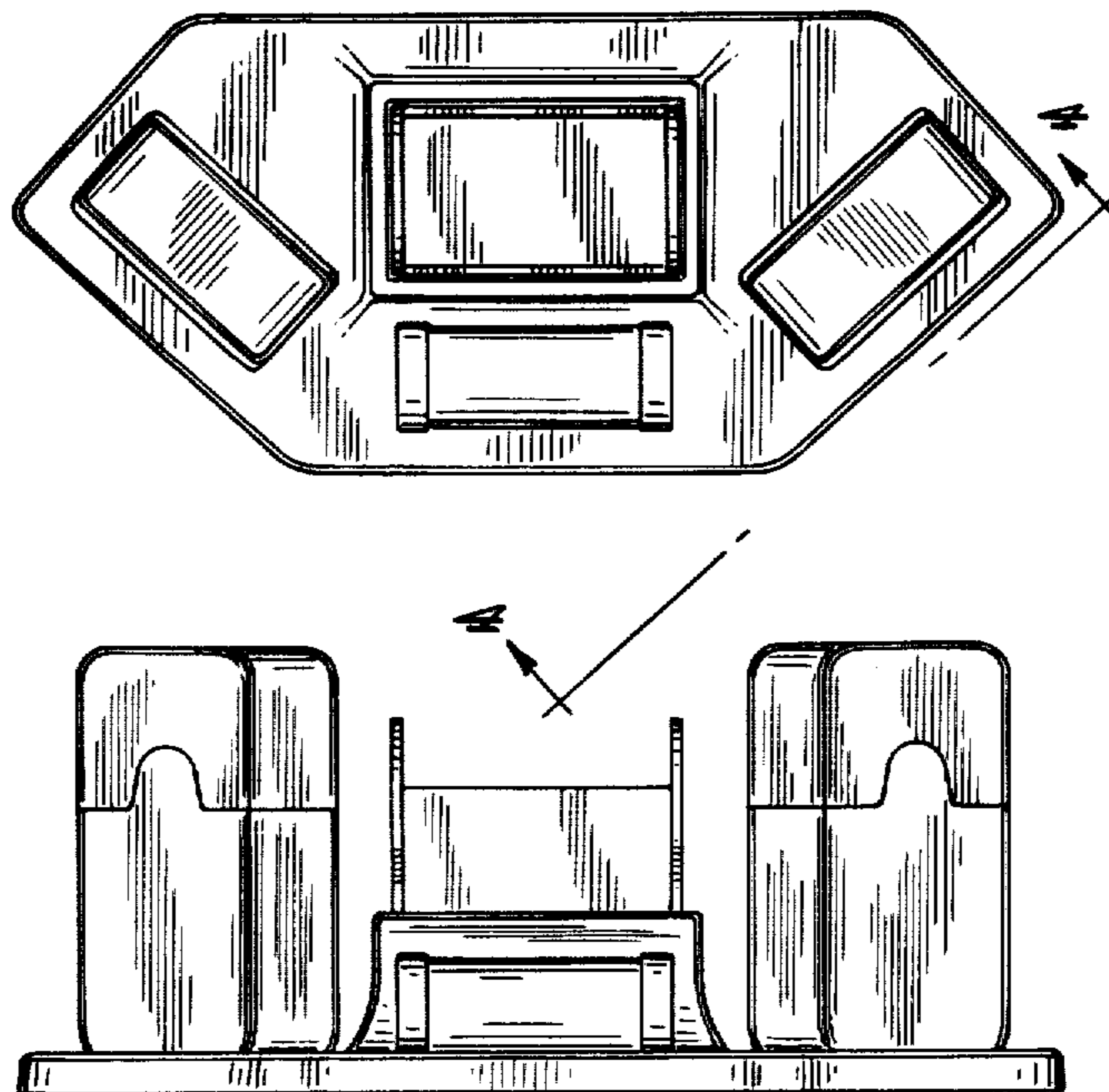
FIG. 3 is a side elevational view, taken from the right of FIG. 2, the other side being a mirror image thereof;

FIG. 4 is a view taken along the line 4-4 of FIG. 1;

FIG. 5 is a rear elevational view thereof;

FIG. 6 is a bottom plan view thereof; and

FIG. 7 is a perspective view of the tray with the holders removed for convenience of illustration.



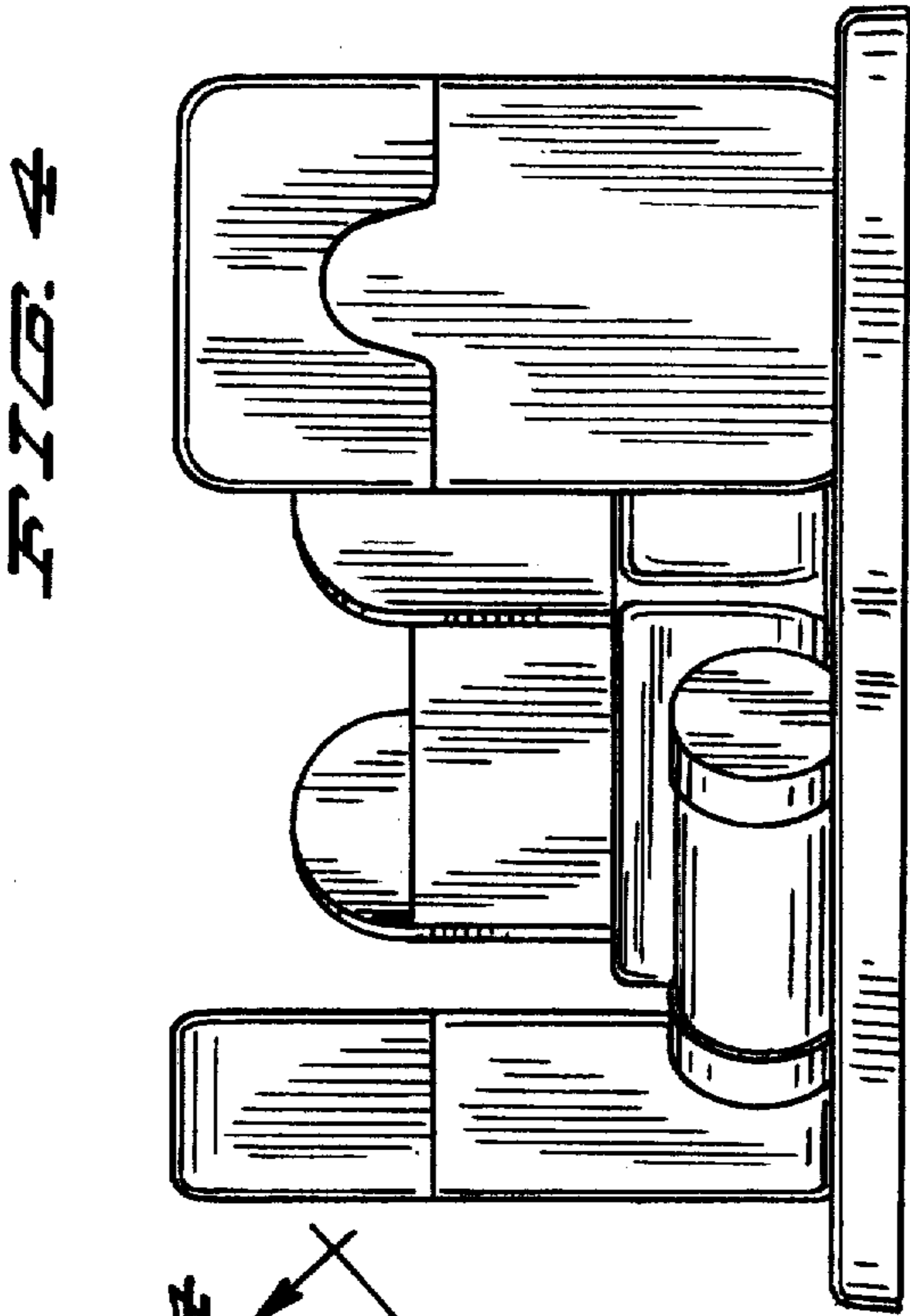


FIG. 4

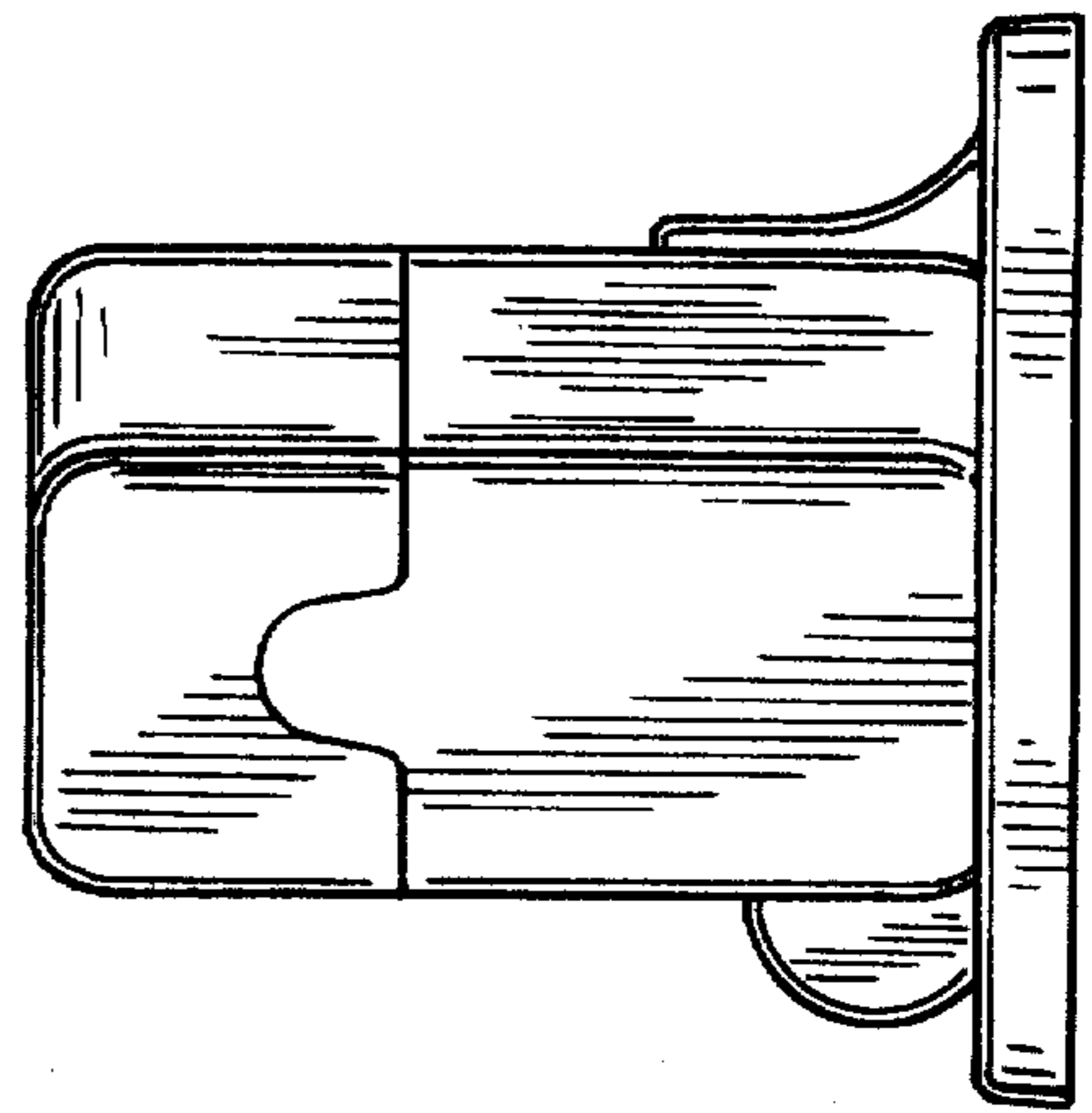


FIG. 5

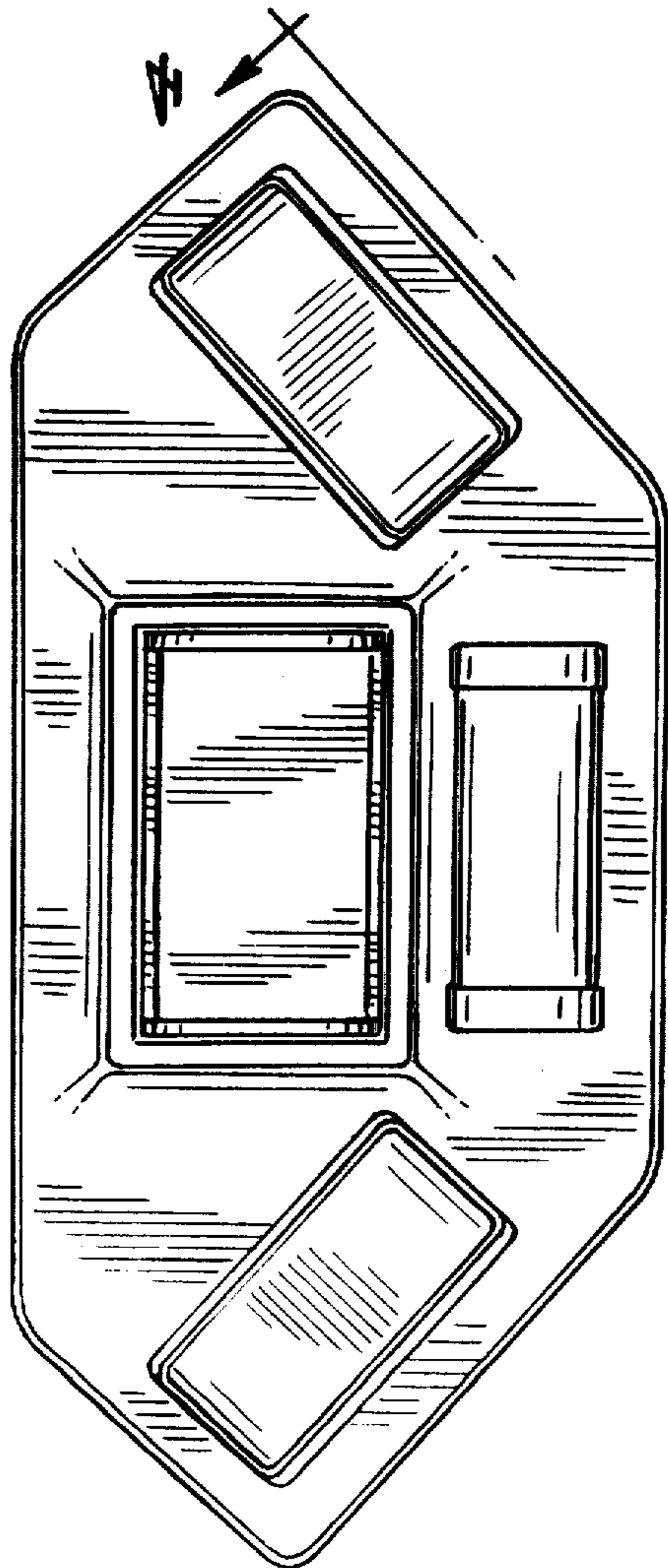


FIG. 2

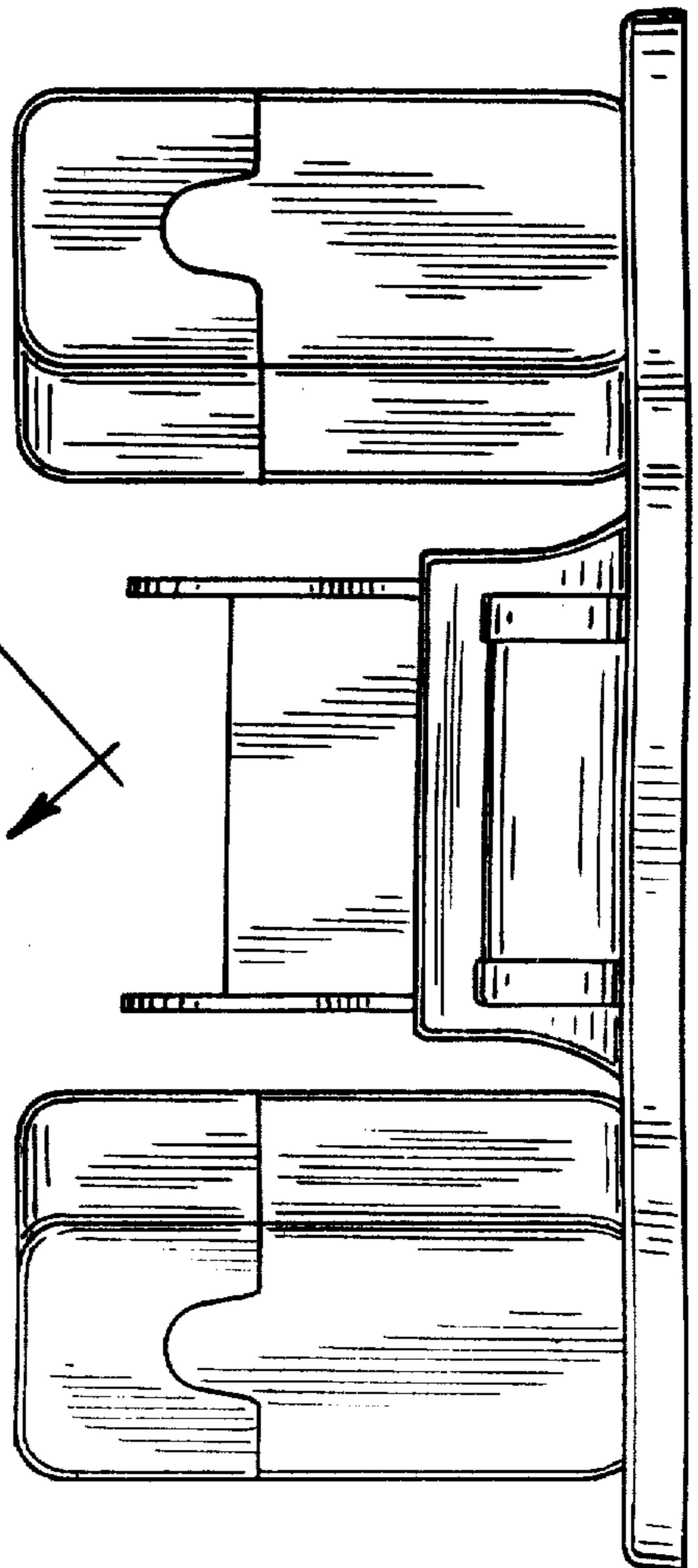


FIG. 3

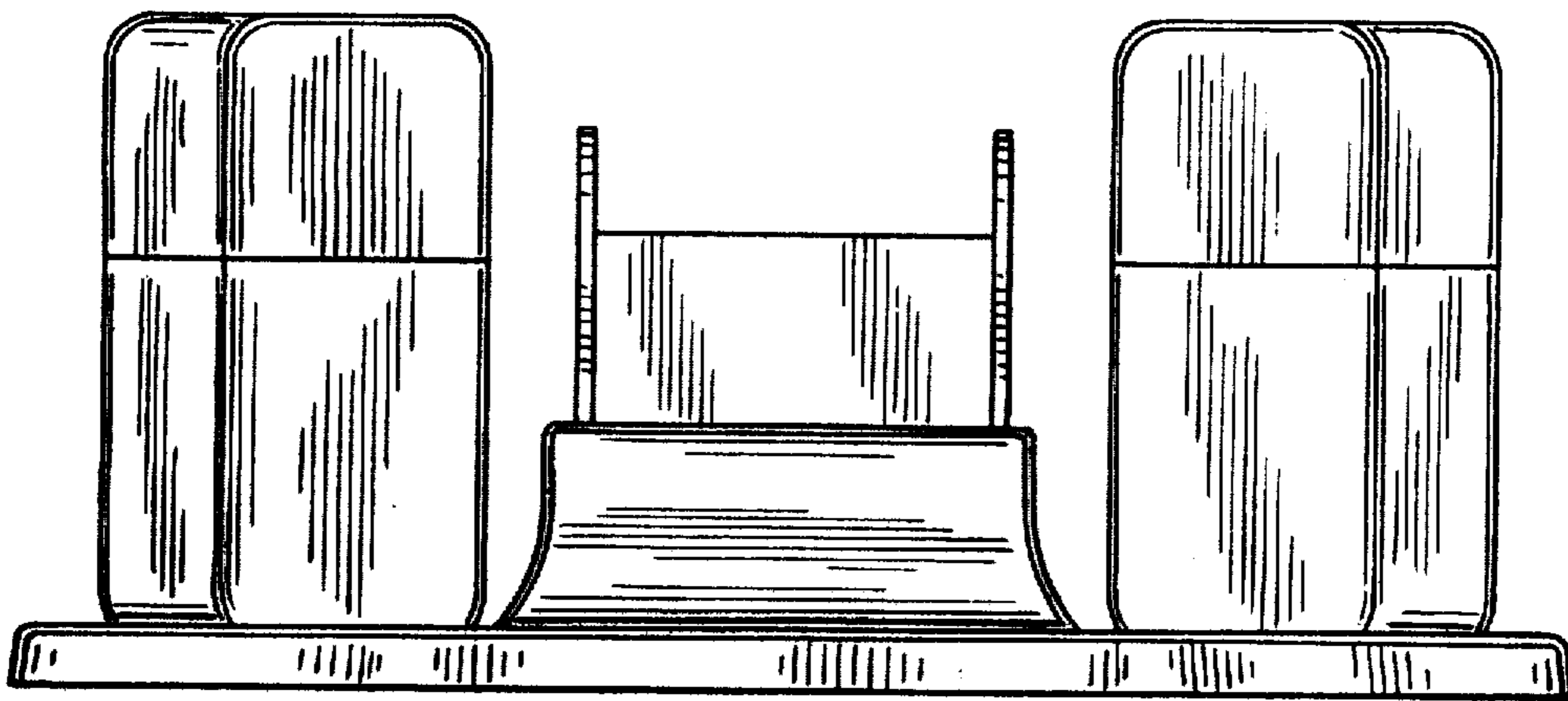


FIG. 5

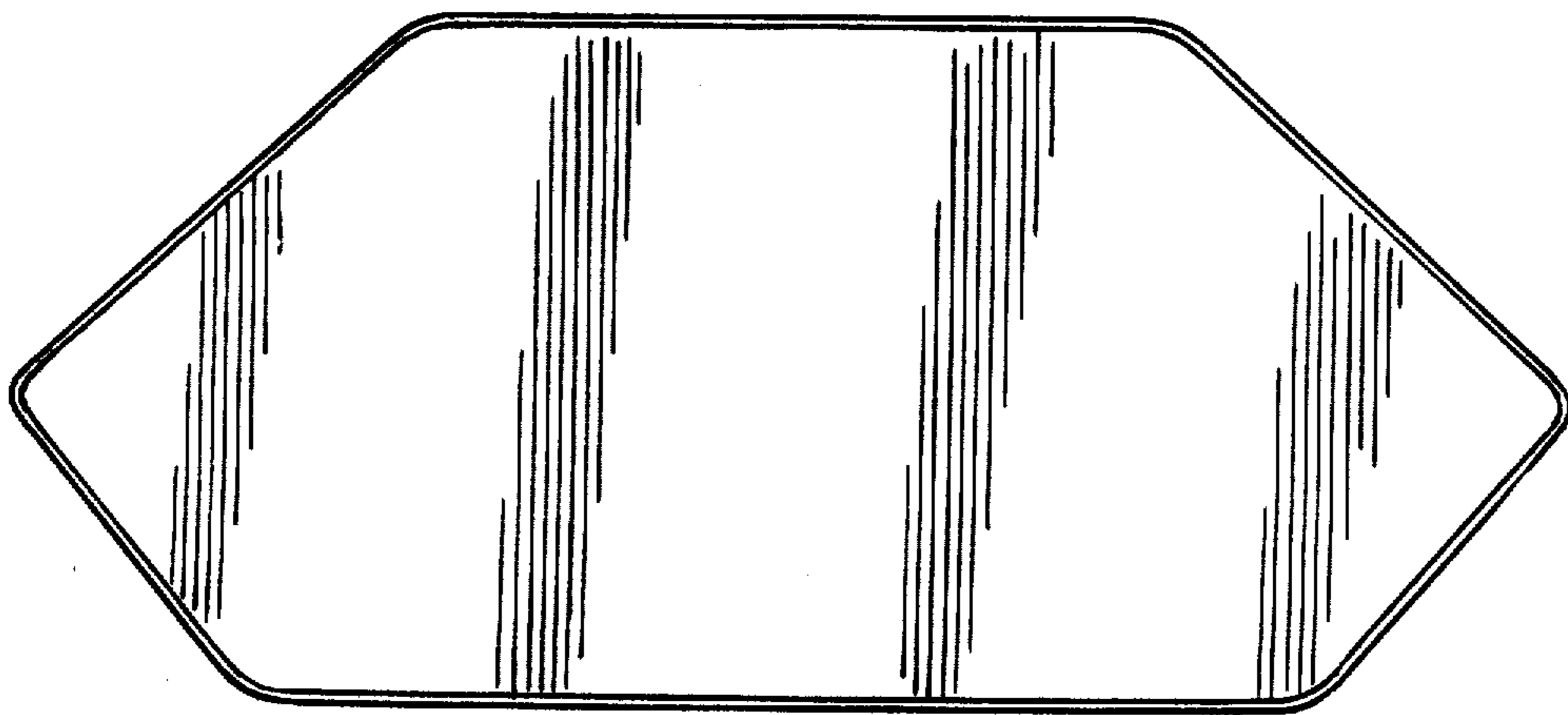


FIG. 6

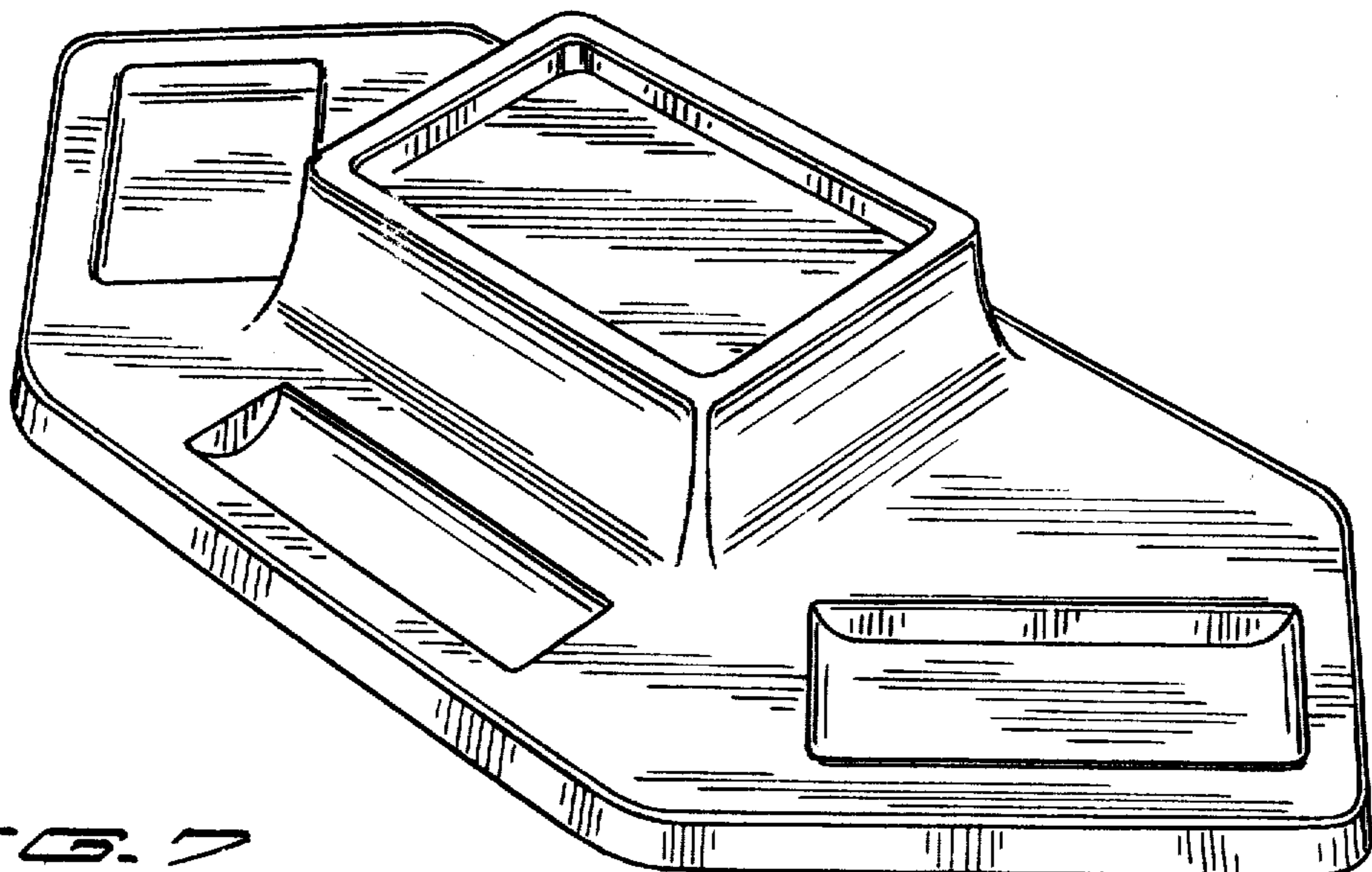


FIG. 7