

[54] **COMBINED CREEPER AND TOOL CADDY**

[75] Inventor: **Detlef Martell, Kitchener, Canada**

[73] Assignee: **J. C. Hallman Manufacturing Co. Limited, Kitchener, Canada**

[**] Term: **14 Years**

[21] Appl. No.: **313,893**

[22] Filed: **Oct. 22, 1981**

[30] **Foreign Application Priority Data**

Jul. 14, 1981 [CA] Canada 14-07-81-6

[51] Int. Cl. **D12-14**

[52] U.S. Cl. **D34/23**

[58] Field of Search **D34/17, 23; 280/32.6**

[56] **References Cited**

U.S. PATENT DOCUMENTS

D. 237,872	12/1975	Miller	D34/23
1,104,398	7/1914	Zimmerman	280/32.6
1,446,945	2/1923	Sunderland	280/32.6

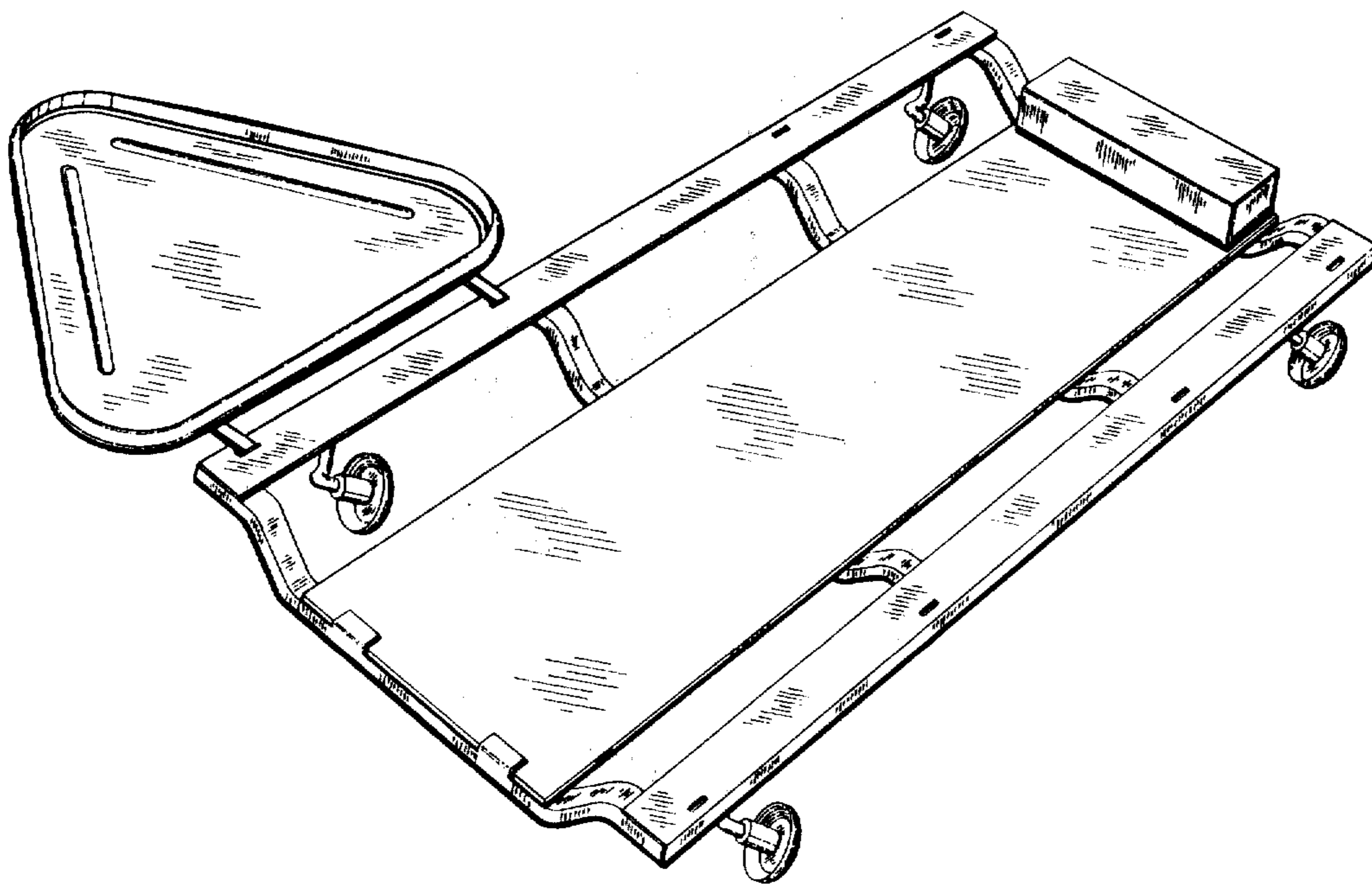
Primary Examiner—James M. Gandy
Attorney, Agent, or Firm—Robert F. Delbridge; Arne I. Fors

[57] **CLAIM**

The ornamental design for a combined creeper and tool caddy, as shown and described.

DESCRIPTION

FIG. 1 is a perspective view of a combined creeper and tool caddy showing my new design; FIG. 2 is a top plan view thereof; FIG. 3 is an end elevational view thereof; and FIG. 4 is a side elevational view thereof.



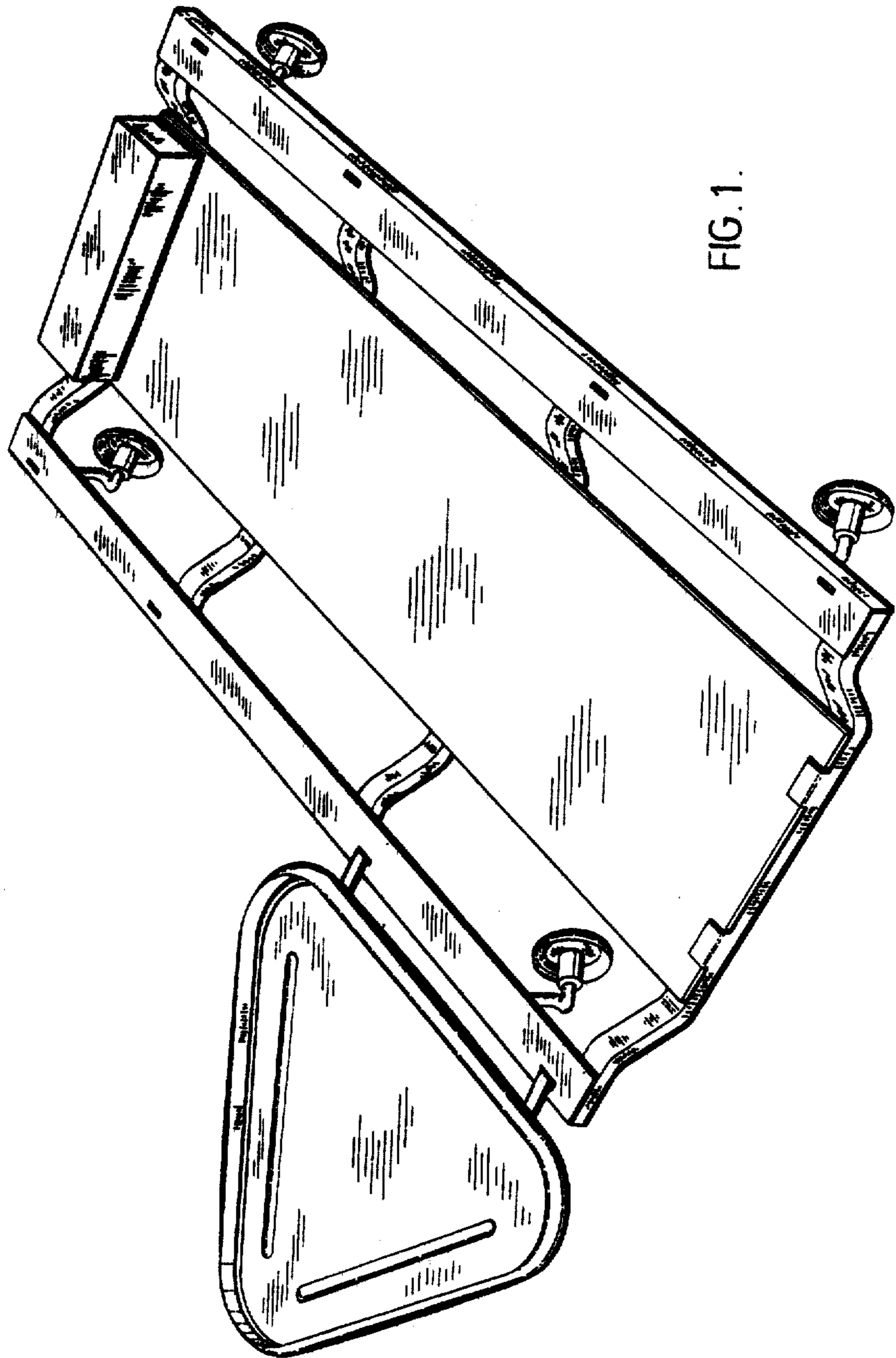


FIG. 1.

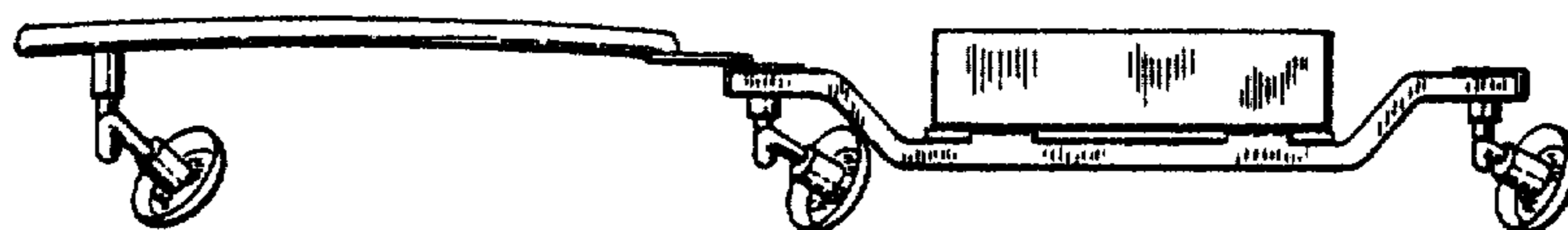
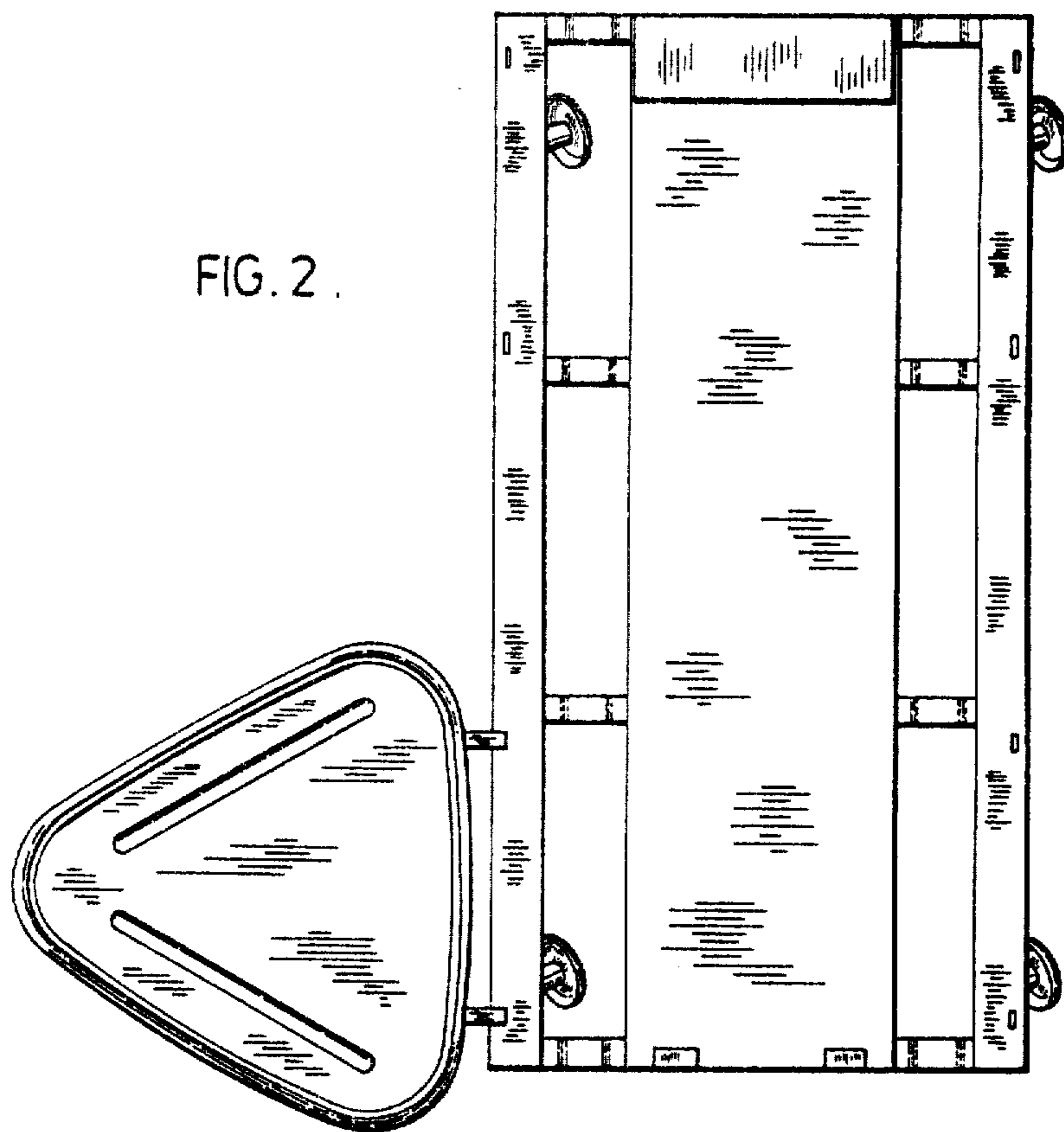


FIG. 3.

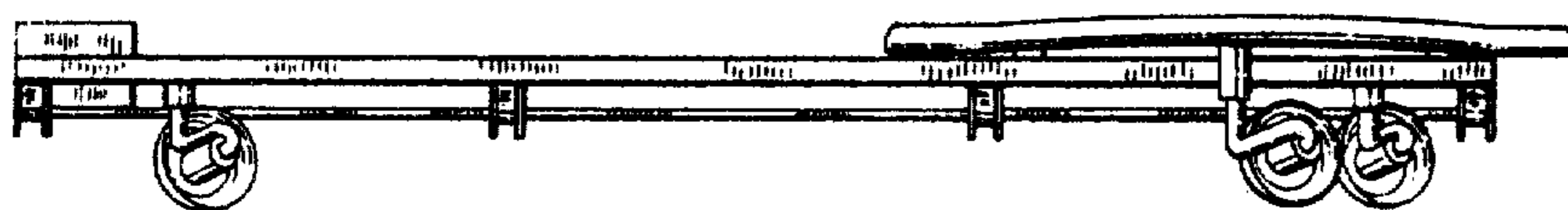


FIG. 4.