

[54] MOP BUCKET

[75] Inventors: Larry S. Hawkins, Winchester; William A. LaFollette, Jr., Stephens City; Dale T. Maza, Stephenson, all of Va.

[73] Assignee: Rubbermaid Commercial Products Inc., Winchester, Va.

[**] Term: 14 Years

[21] Appl. No.: 321,043

[22] Filed: Nov. 13, 1981

[51] Int. Cl. D7-07

[52] U.S. Cl. D32/53

[58] Field of Search D32/53, 54; 15/260, 15/261, 262, 263, 264

[56] References Cited

U.S. PATENT DOCUMENTS

- D. 216,277 12/1969 James D32/53
- D. 233,003 10/1974 Karn, Jr. et al. D32/53
- D. 236,796 9/1975 Deuschle D32/53

- D. 248,610 7/1978 Schwartz D32/53
- 1,486,284 3/1924 Eiffe .
- 3,045,252 7/1962 Sorrells 4/167
- 3,630,369 12/1971 Nichols .
- 3,747,154 7/1973 O'Neil 15/264
- 4,161,799 7/1979 Sorrells .

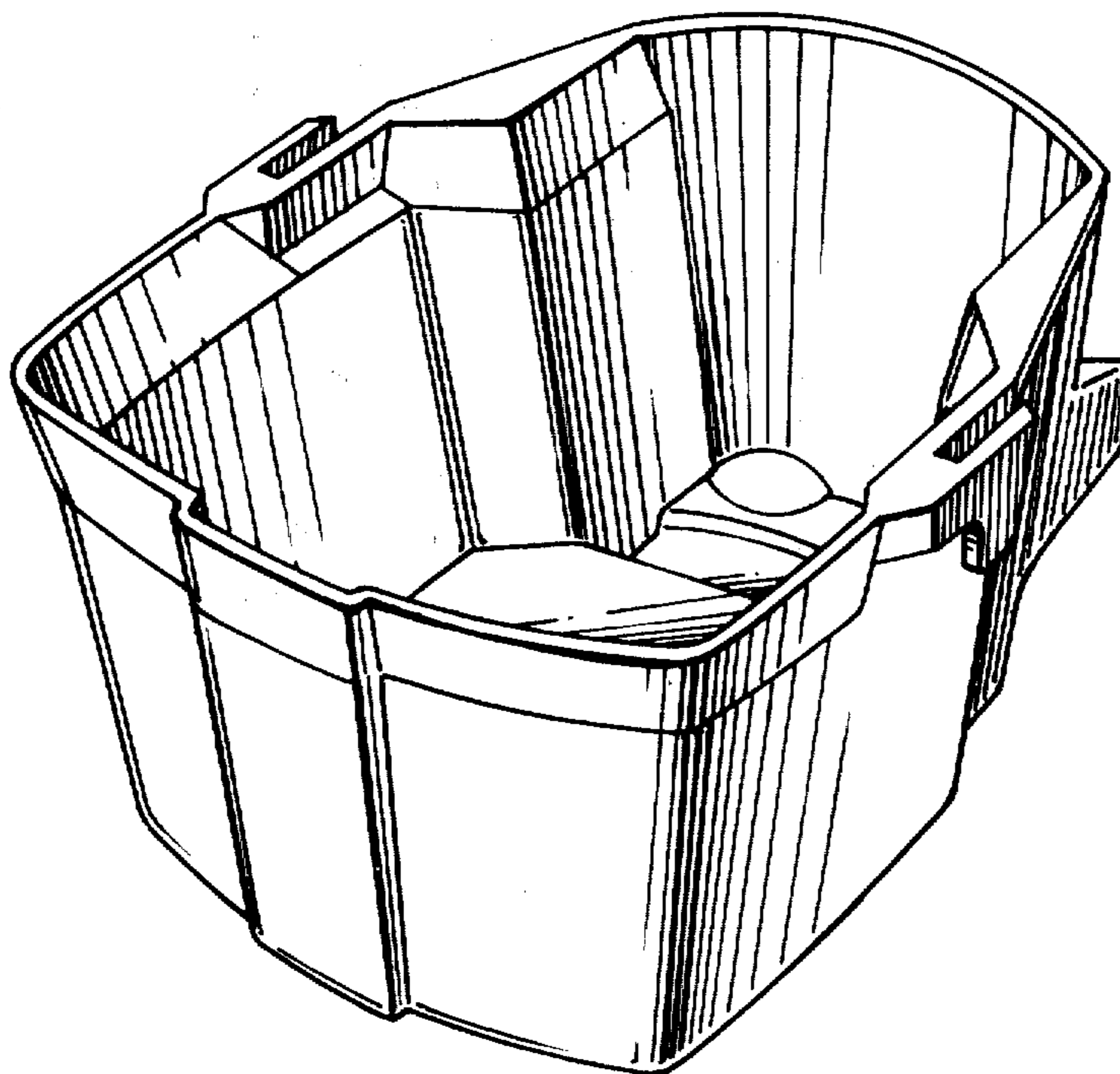
Primary Examiner—Catherine E. Kemper
Attorney, Agent, or Firm—Hamilton, Renner and Kenner

[57] CLAIM

The ornamental design for a mop bucket, as shown and described.

DESCRIPTION

FIG. 1 is a top front perspective view of a mop bucket embodying our new design.
 FIG. 2 is a vertical section on line 2—2 of FIG. 5.
 FIG. 3 is a side elevational view of the side opposite to that shown in FIG. 1.
 FIG. 4 is a rear elevational view thereof.
 FIG. 5 is a top plan view thereof.
 FIG. 6 is a bottom plan view.
 The side opposite to that shown in FIG. 3 is a mirror image thereof.



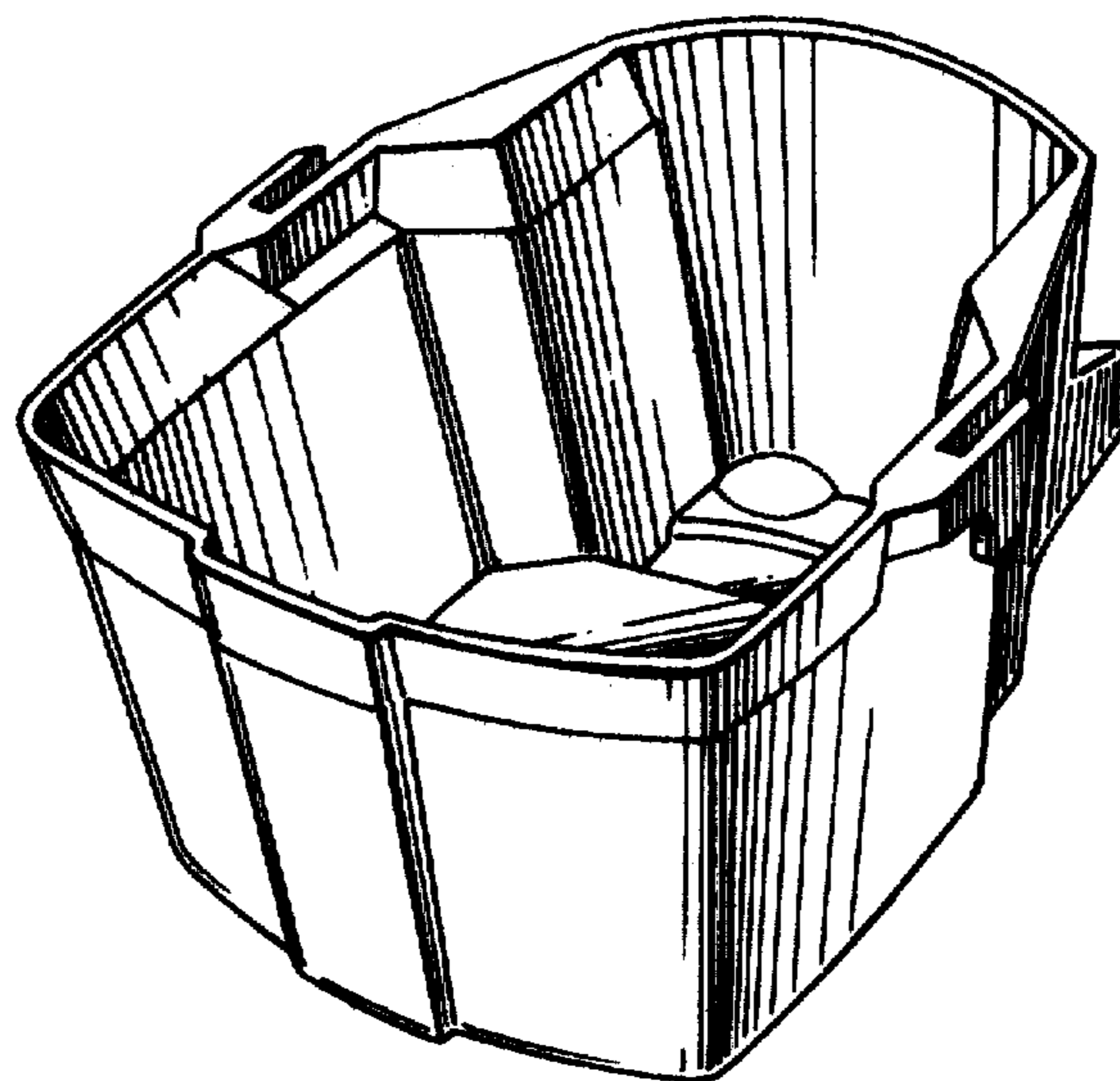


FIG. 1

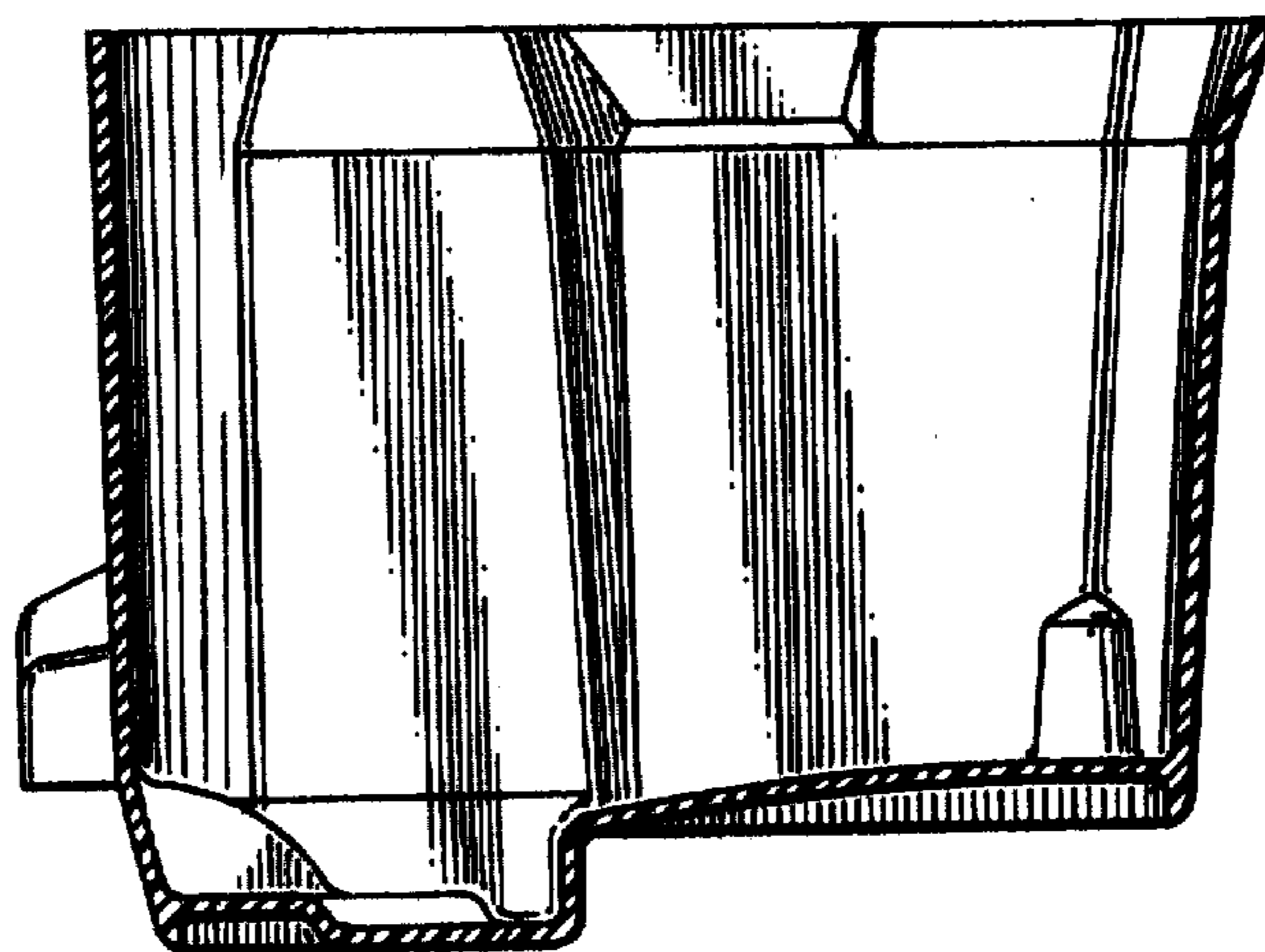


FIG. 2

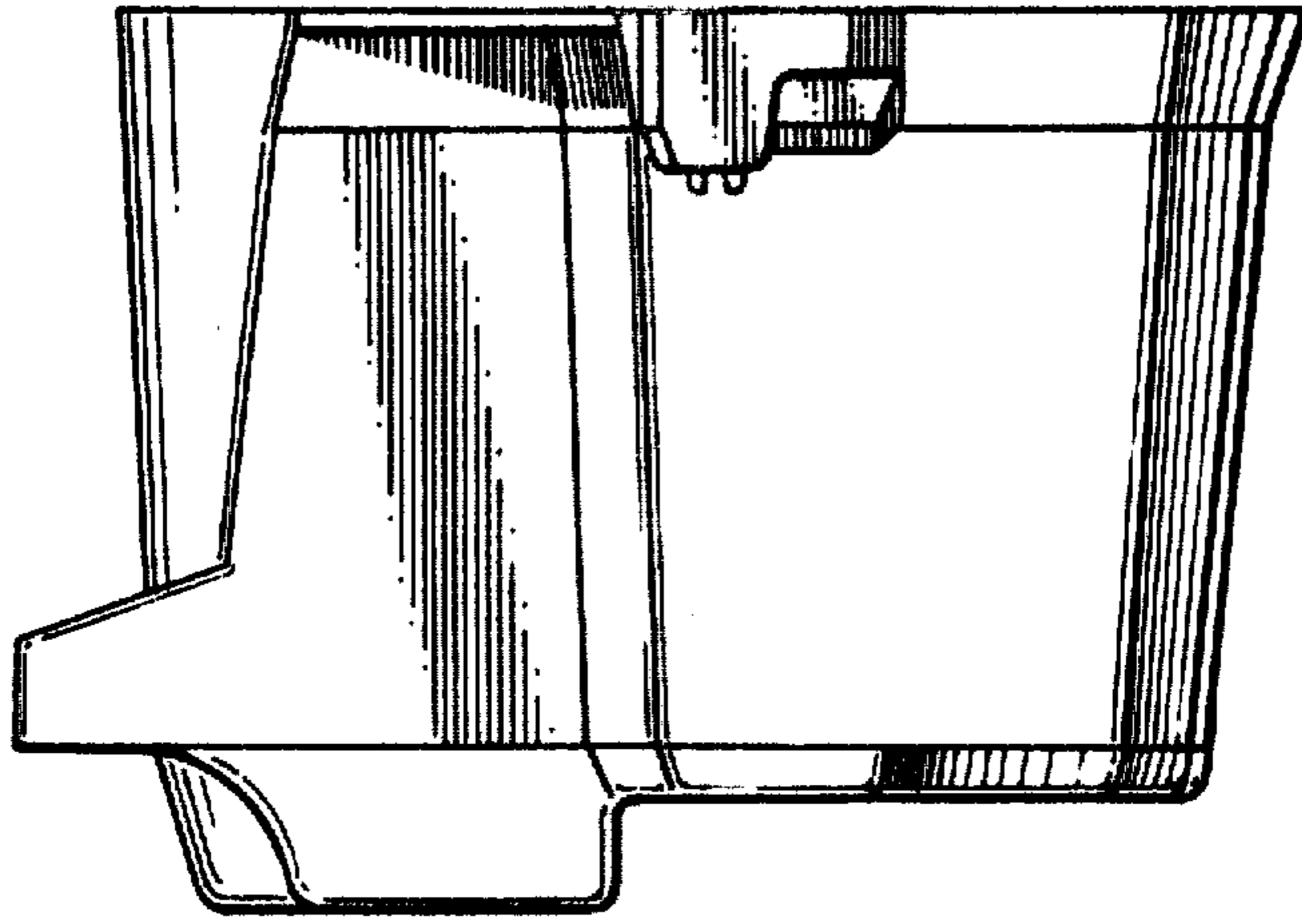


FIG. 3

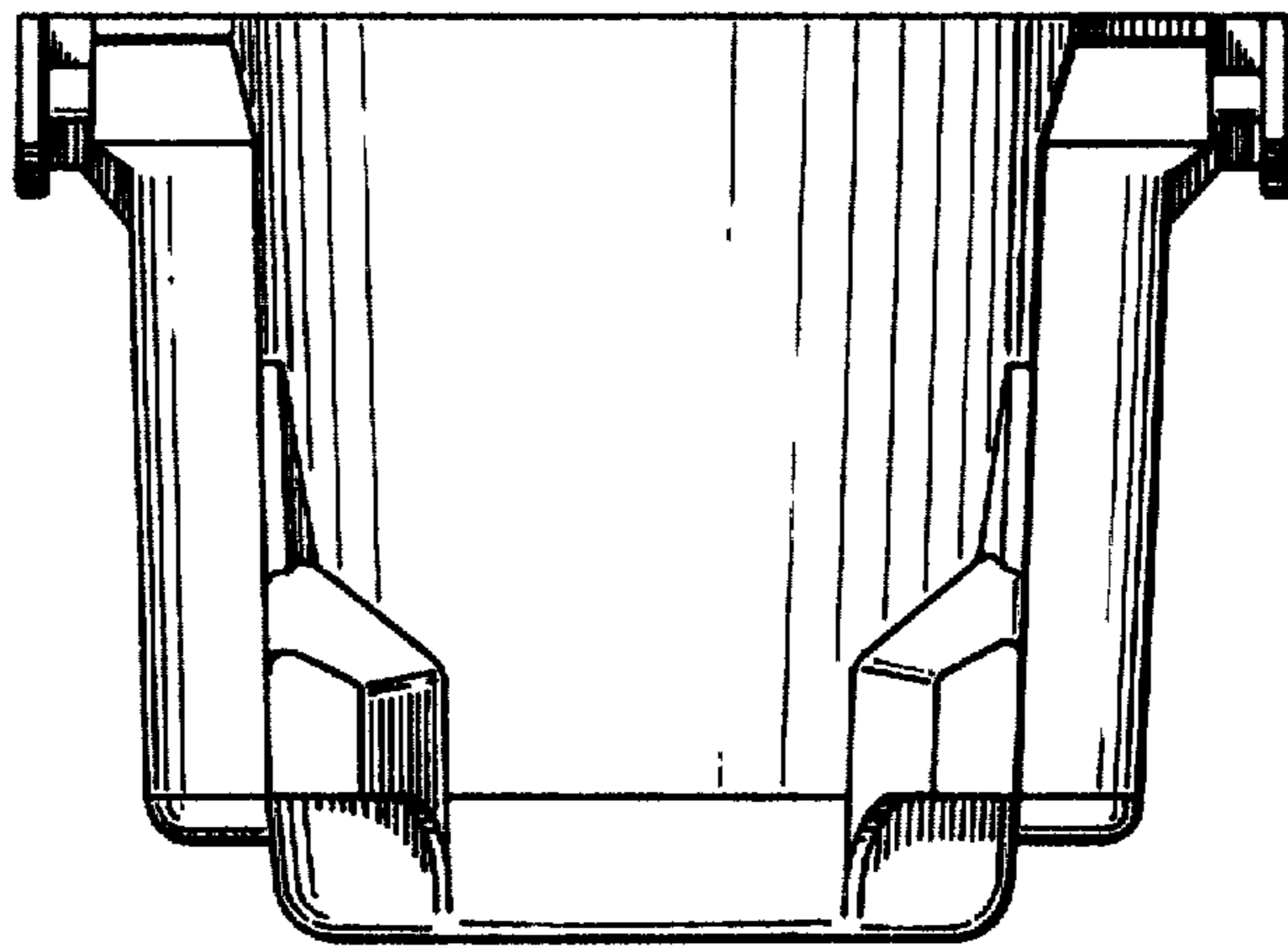


FIG. 4

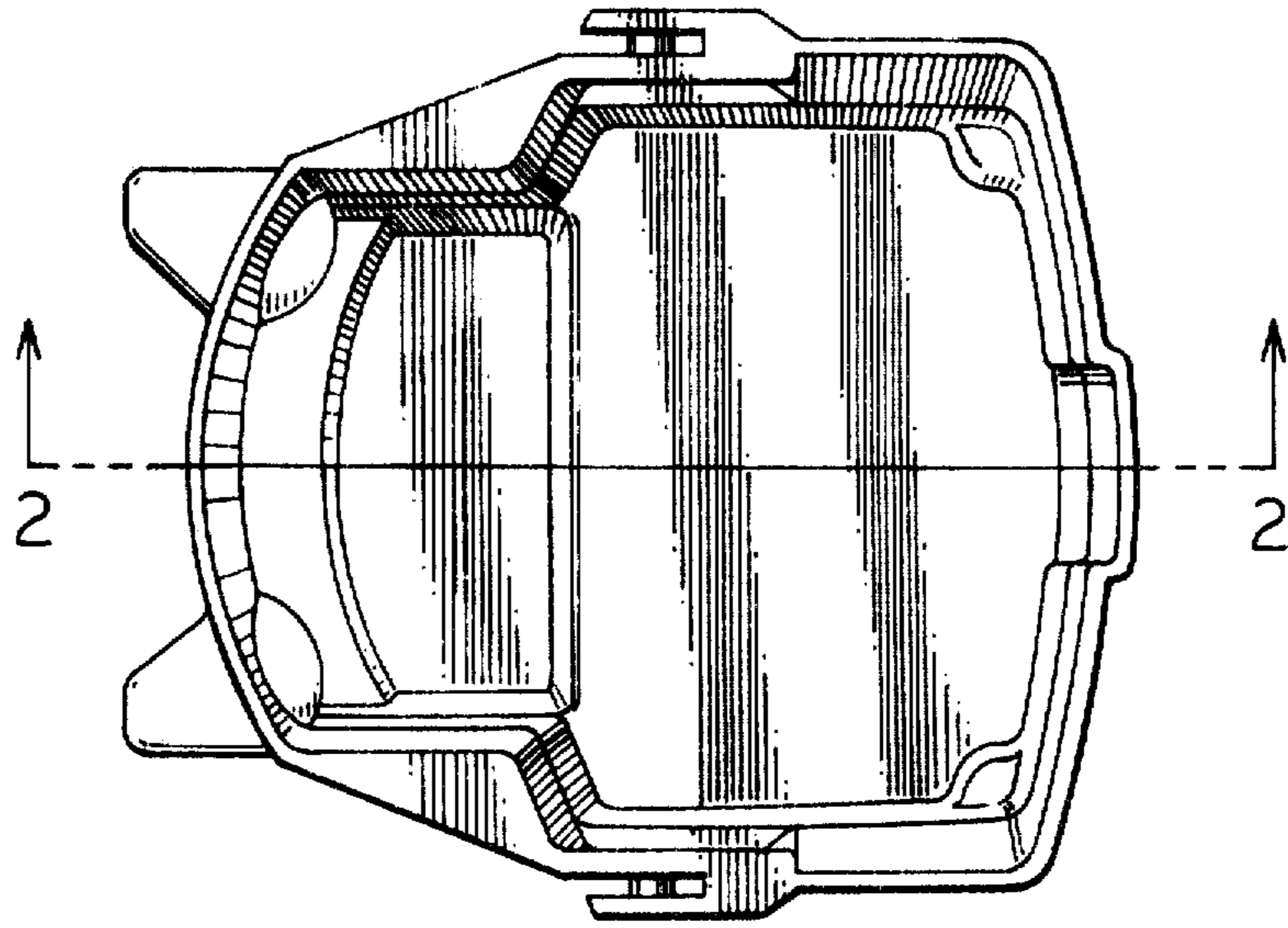


FIG. 5

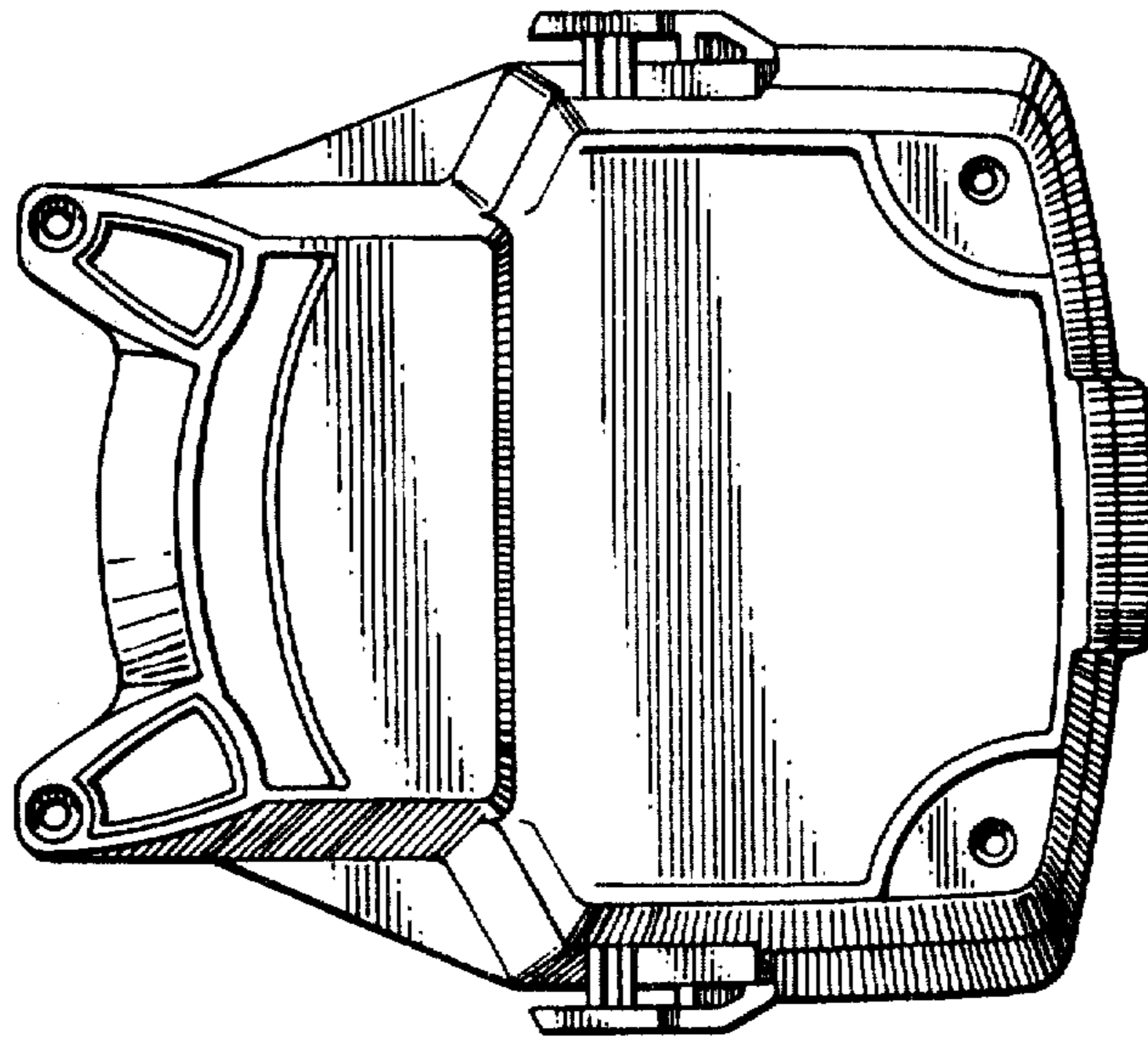


FIG. 6