

[54] WET/DRY VACUUM CLEANER

[75] Inventors: Carl Parise, Reno; Michael Parise, Sparks, both of Nev.

[73] Assignee: Parise and Sons, Inc., Sparks, Nev.

[**] Term: 14 Years

[21] Appl. No.: 258,240

[22] Filed: Apr. 28, 1981

[51] Int. Cl. D15-05

[52] U.S. Cl. D32/21

[58] Field of Search D32/1-34;
15/321, 322, 353

D. 248,657 7/1978 Parise D32/21

3,821,830 7/1974 Sundheim 15/353 X

3,896,521 7/1975 Parise 15/353 X

3,911,524 10/1975 Parise 15/353

4,019,218 4/1977 Cyphert 15/322

4,288,885 9/1981 Parise 15/321

4,314,385 2/1982 Wimstatt et al. 15/321

Primary Examiner—James R. Largen
Attorney, Agent, or Firm—Sughrue, Mion, Zinn, Macpeak, and Seas

[57] CLAIM

The ornamental design for a wet/dry vacuum cleaner, as shown and described.

DESCRIPTION

FIG. 1 is a front, top and right side perspective view of a wet/dry vacuum cleaner showing our new design; FIG. 2 is a left side elevational view thereof; FIG. 3 is a top plan view thereof; FIG. 4 is a rear elevational view thereof; and FIG. 5 is a bottom plan view thereof.

[56] References Cited

U.S. PATENT DOCUMENTS

D. 242,210 11/1976 Parise et al. D32/21

D. 247,671 4/1978 Laule et al. D32/21

D. 248,656 7/1978 Parise D32/21

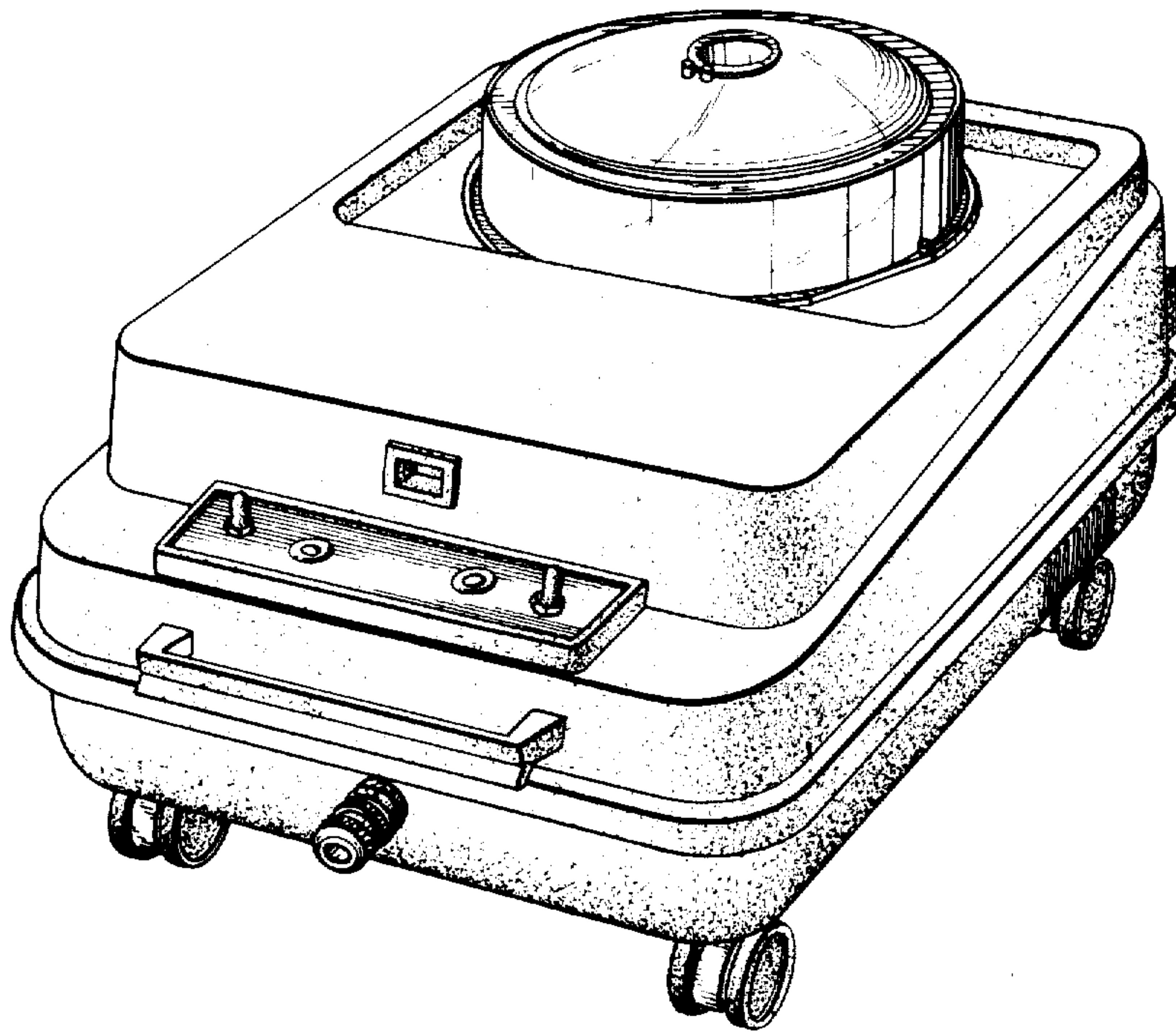


FIG. 1

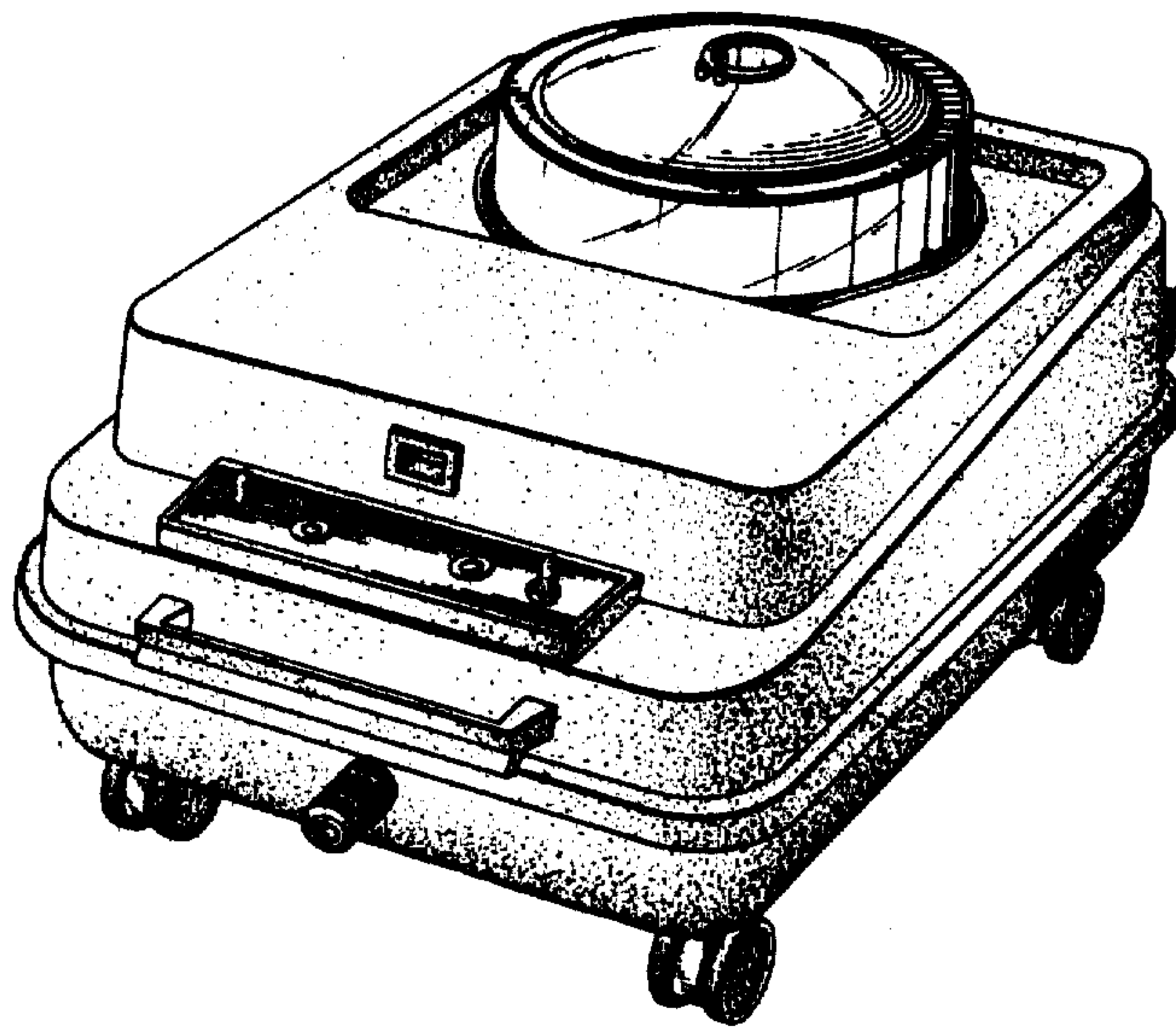
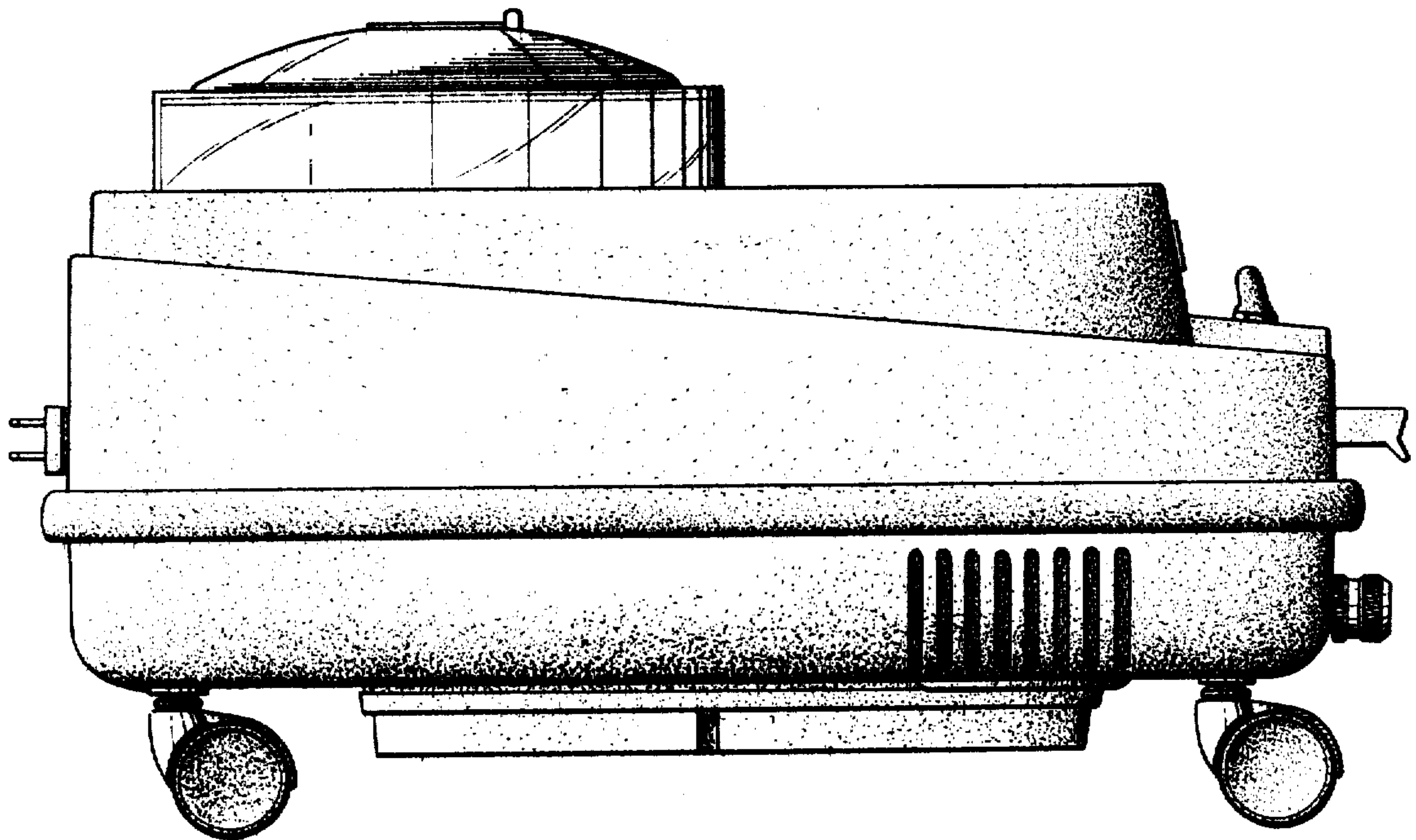


FIG. 2



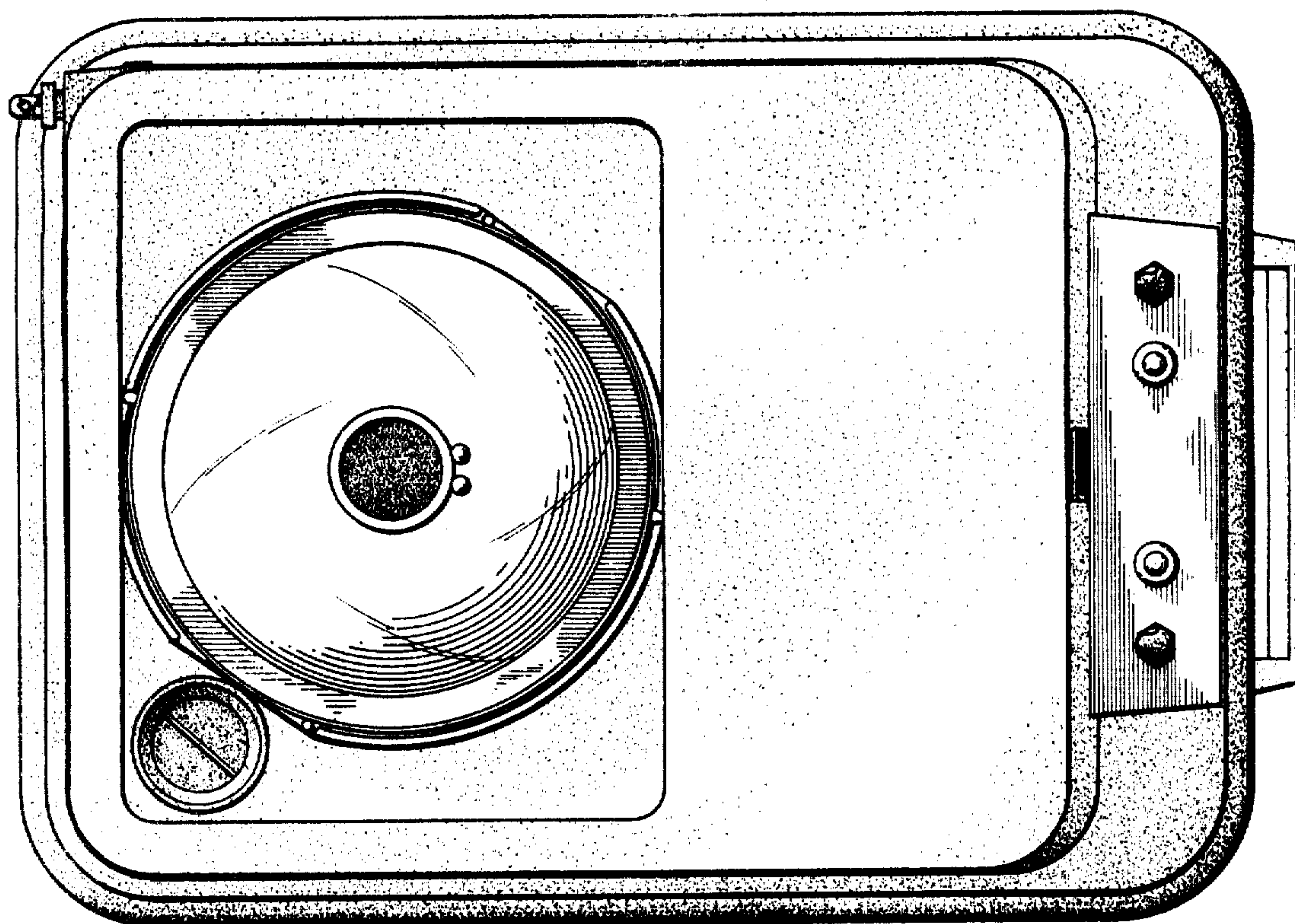


FIG. 3

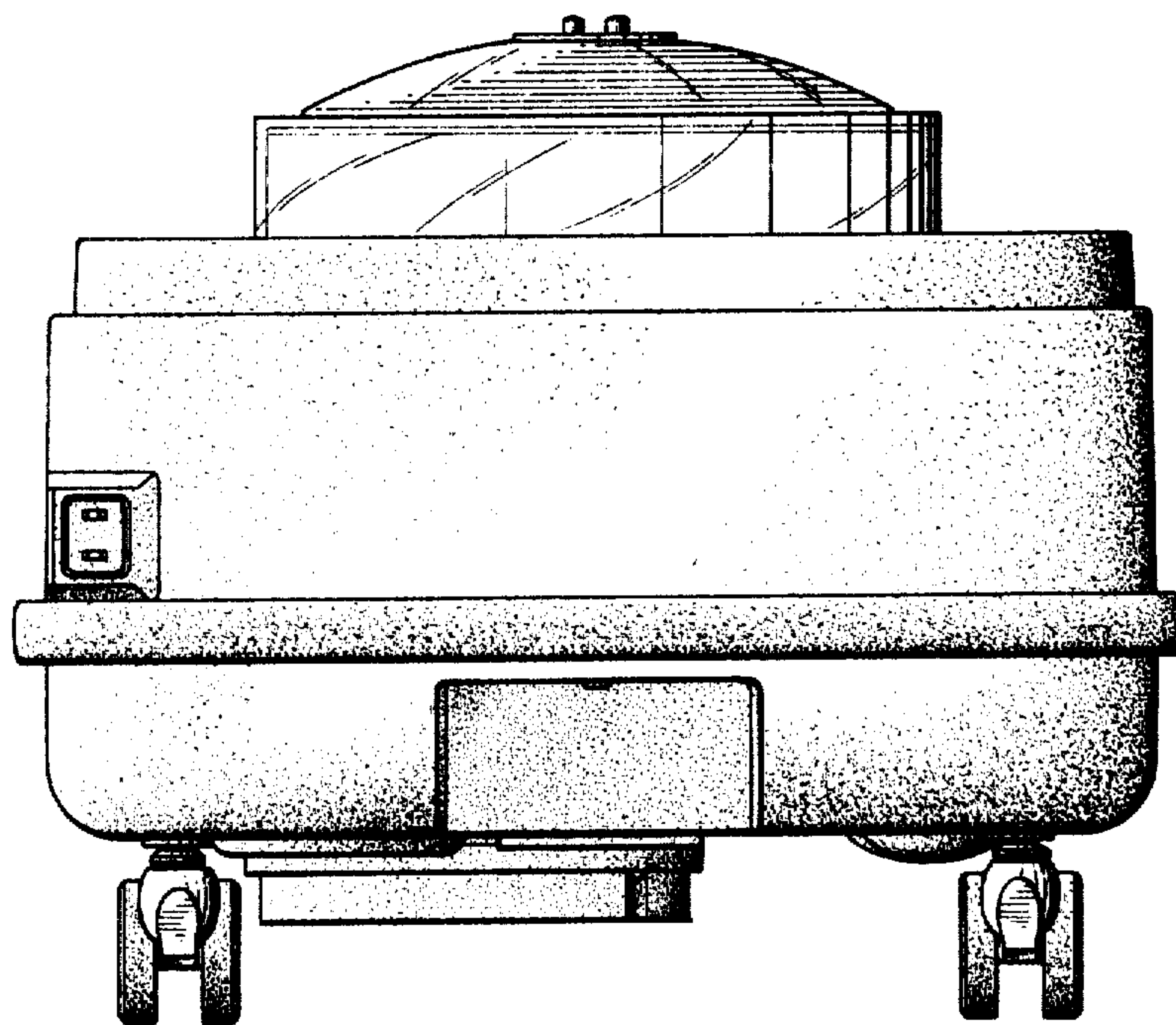


FIG. 4

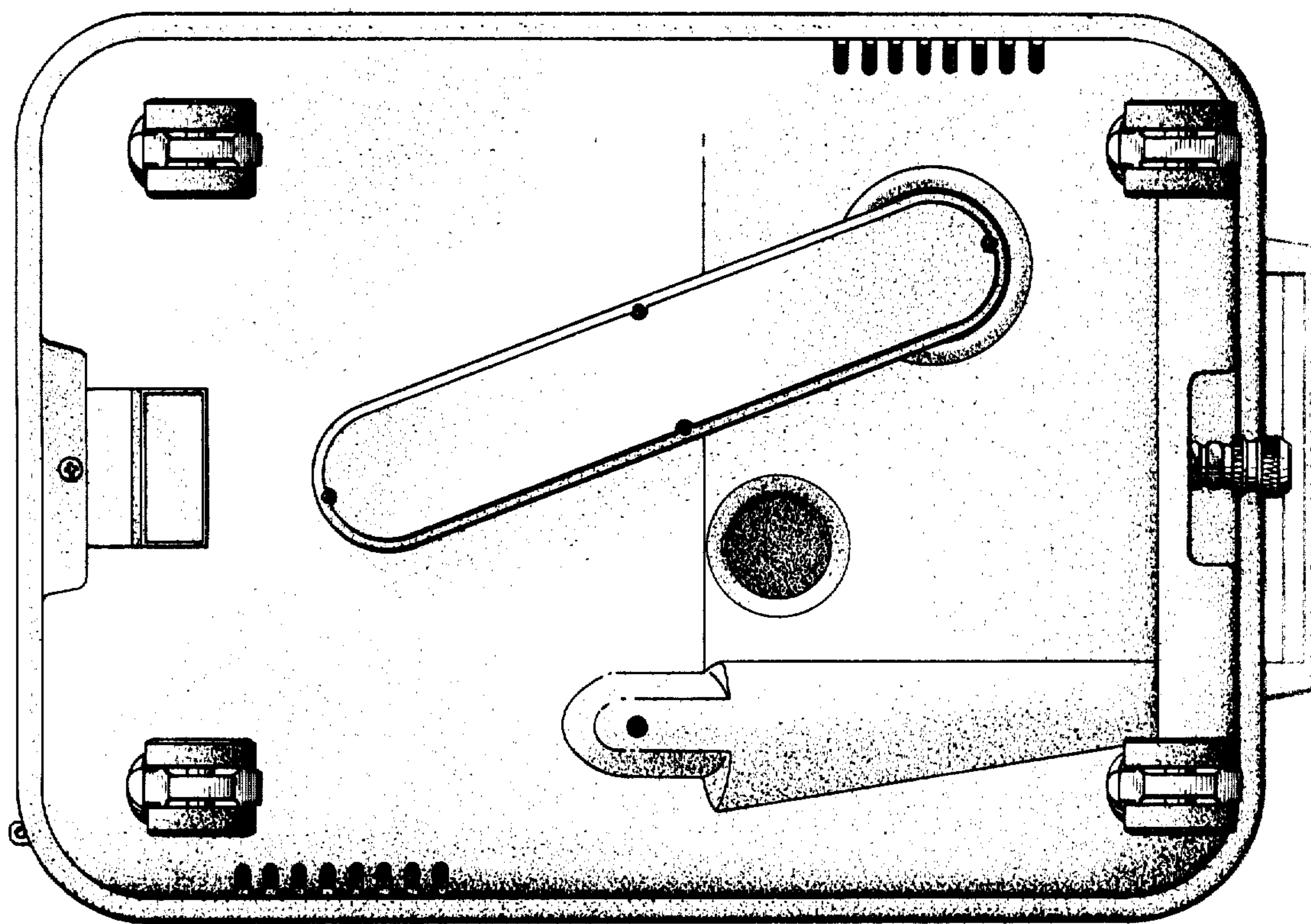


FIG. 5