

[54] COMBINED COLLECTOR AND HOLDER FOR A PATIENT RESUSCITATION SUCTION PUMP

4,275,731 6/1981 Nichols 604/319

[75] Inventor: Sam L. Say, La Canada, Calif.

[73] Assignee: S-Scor Corporation, La Canada, Calif.

[**] Term: 14 Years

[21] Appl. No.: 252,955

[22] Filed: Apr. 10, 1981

[51] Int. Cl. D24-02

[52] U.S. Cl. D24/59; D24/99

[58] Field of Search 604/319, 321; D24/59, D24/56, 28, 99

[56] References Cited

U.S. PATENT DOCUMENTS

D. 245,372	8/1977	Kurtz et al.	D24/59
D. 250,207	11/1978	Kurtz et al.	D24/59
3,363,626	1/1968	Birdwell et al.	604/321
3,782,384	1/1974	Timmermans	604/321
3,915,189	10/1975	Holbrook et al.	604/319 X
3,989,046	11/1976	Pannier et al.	604/319

OTHER PUBLICATIONS

Aloe Medical Catalog, No. 230, Furniture & Equipment, ©1966, p. 191, Portable Model, Suction and Ether.

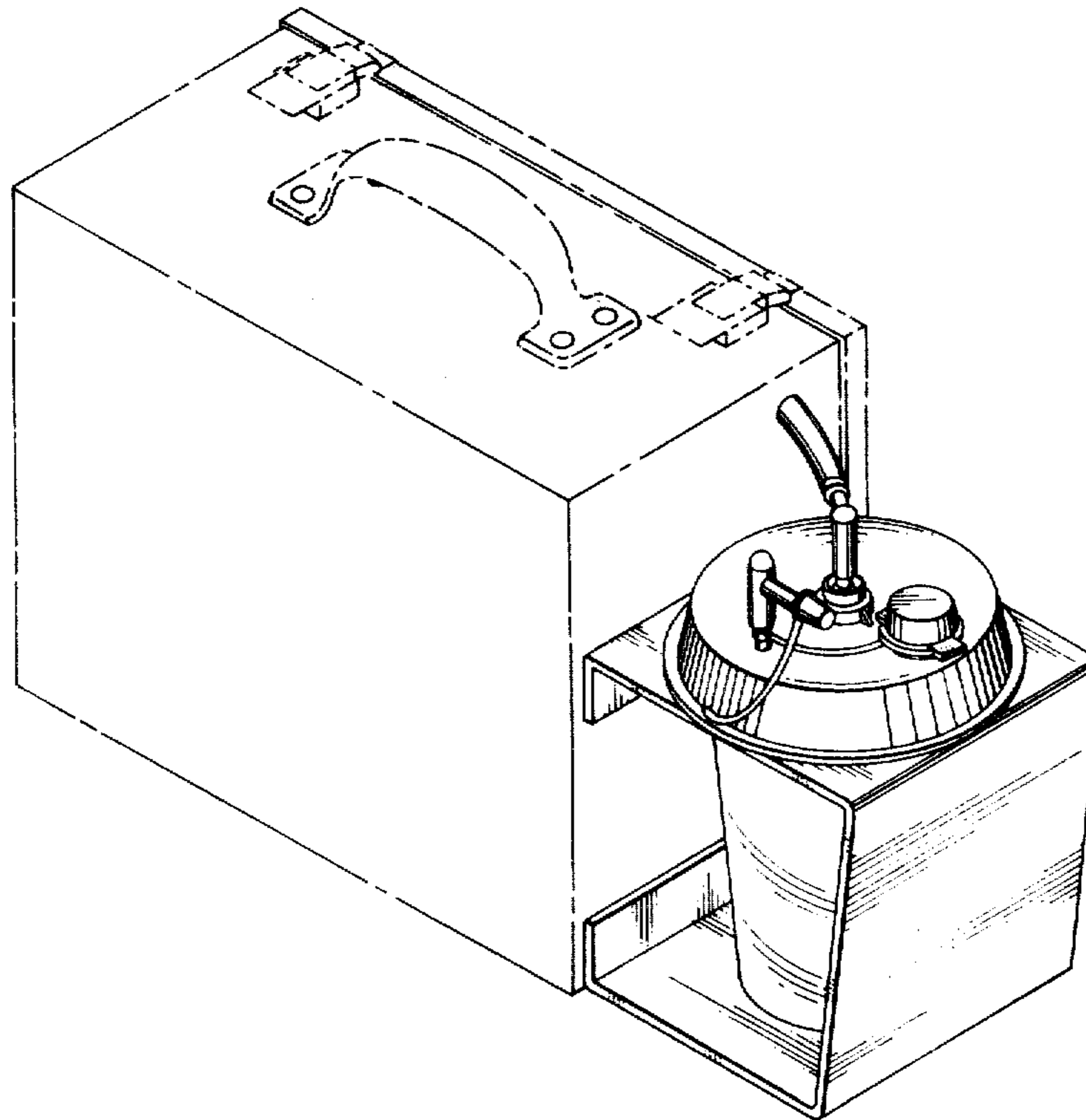
Primary Examiner—Bernard Ansher
Attorney, Agent, or Firm—Christie, Parker & Hale

[57] CLAIM

The ornamental design for a combined collector and holder for a patient resuscitation suction pump, substantially as shown and described.

DESCRIPTION

FIG. 1 is a top perspective view of a combined collector and holder for a patient resuscitation suction pump showing the new design;
FIG. 2 is a left side elevation view thereof;
FIG. 3 is a top plan view thereof;
FIG. 4 is a right side elevation view thereof;
FIG. 5 is a bottom plan view thereof;
FIG. 6 is a front elevation view thereof; and
FIG. 7 is a back elevation view thereof.
The broken lines representing the pump housing are shown for illustrative purposes only.



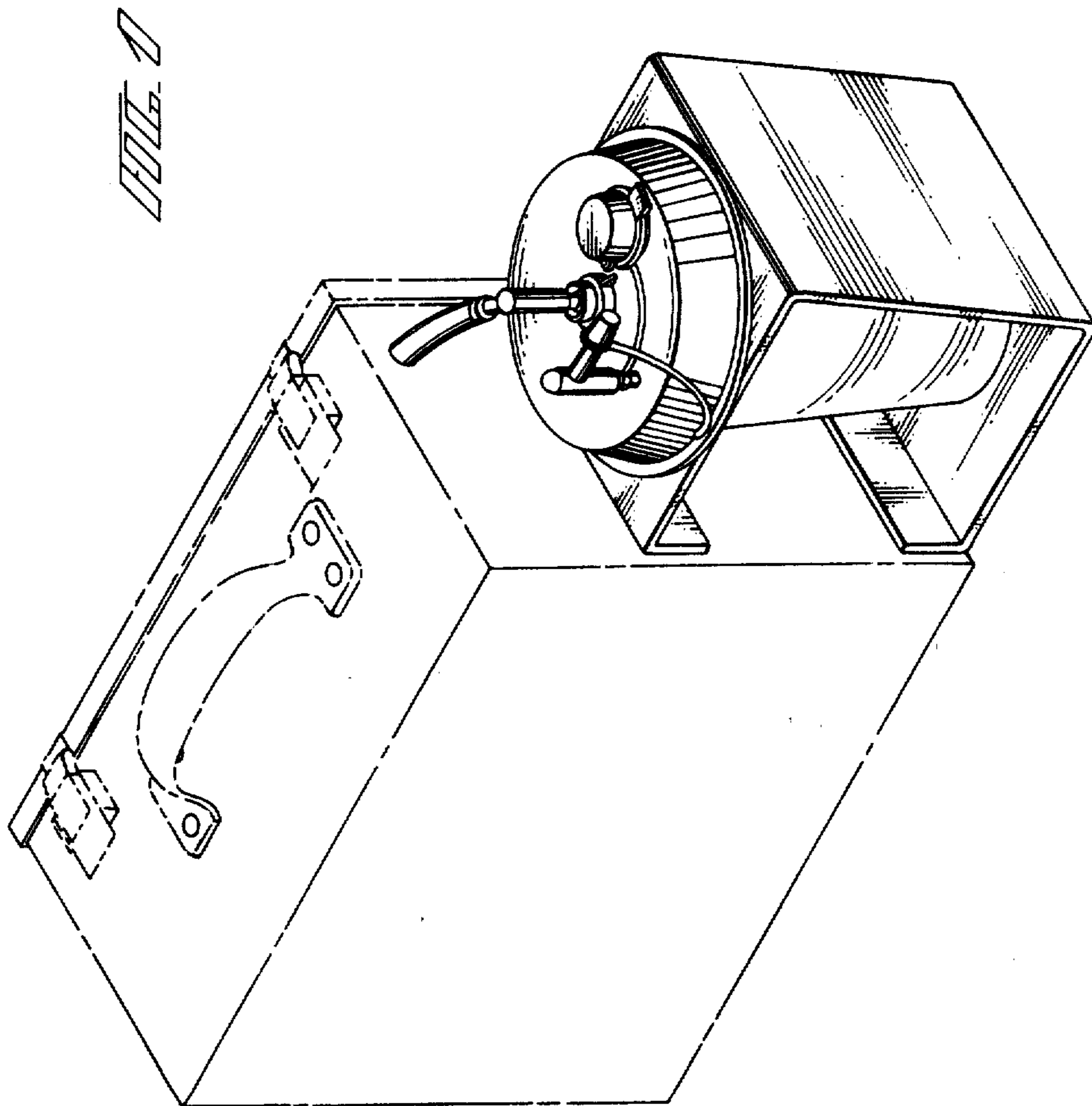


FIG. 2

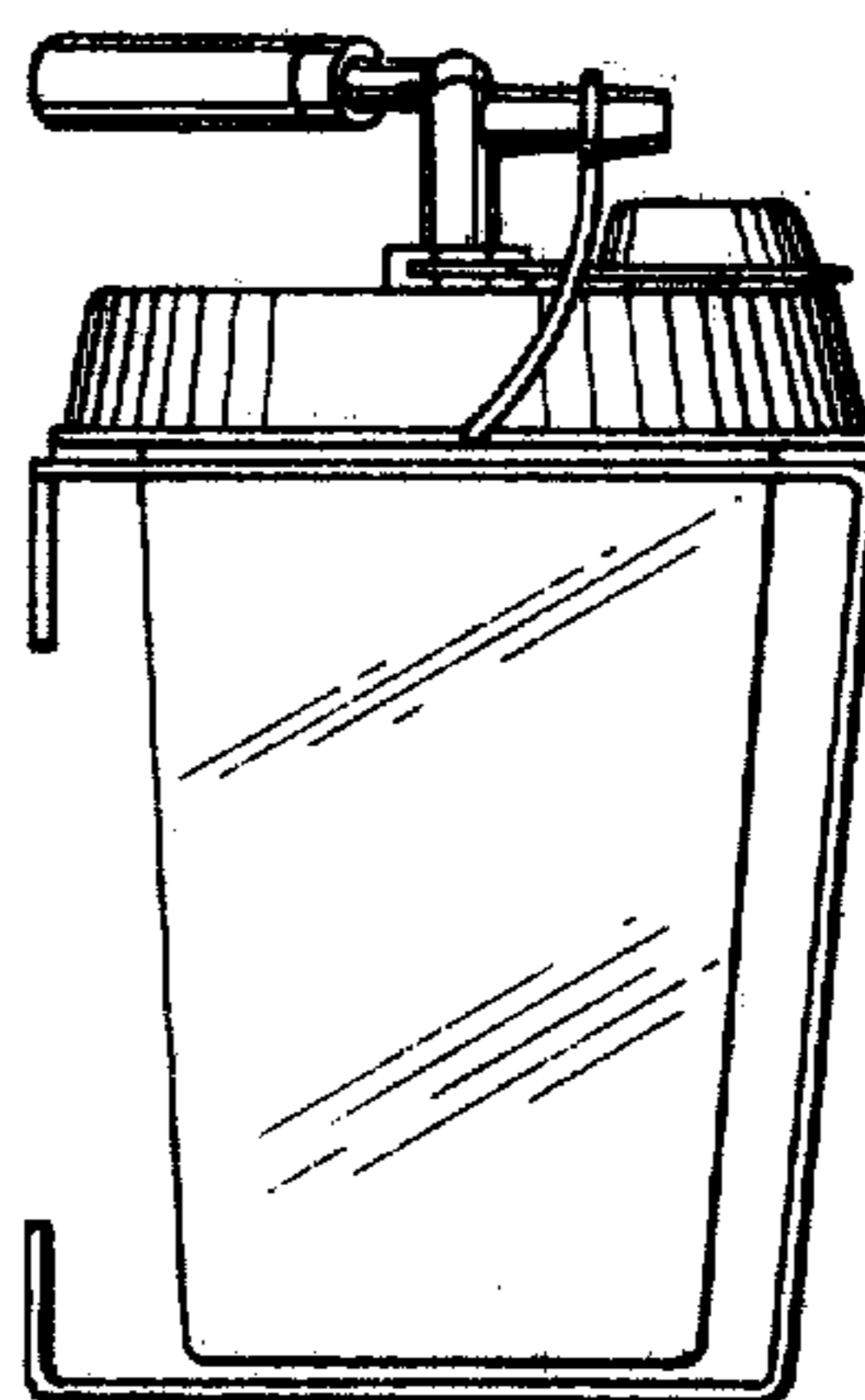


FIG. 3

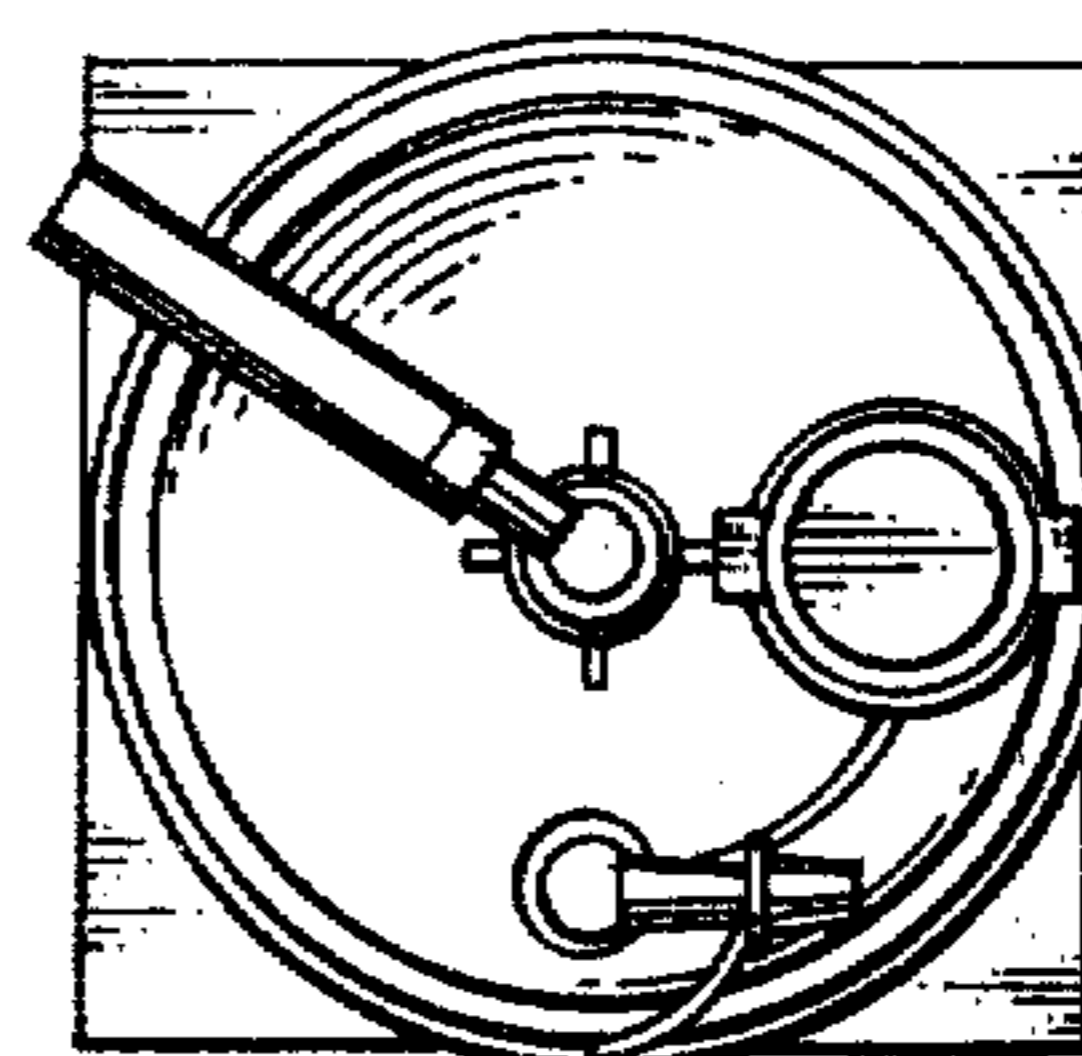


FIG. 4

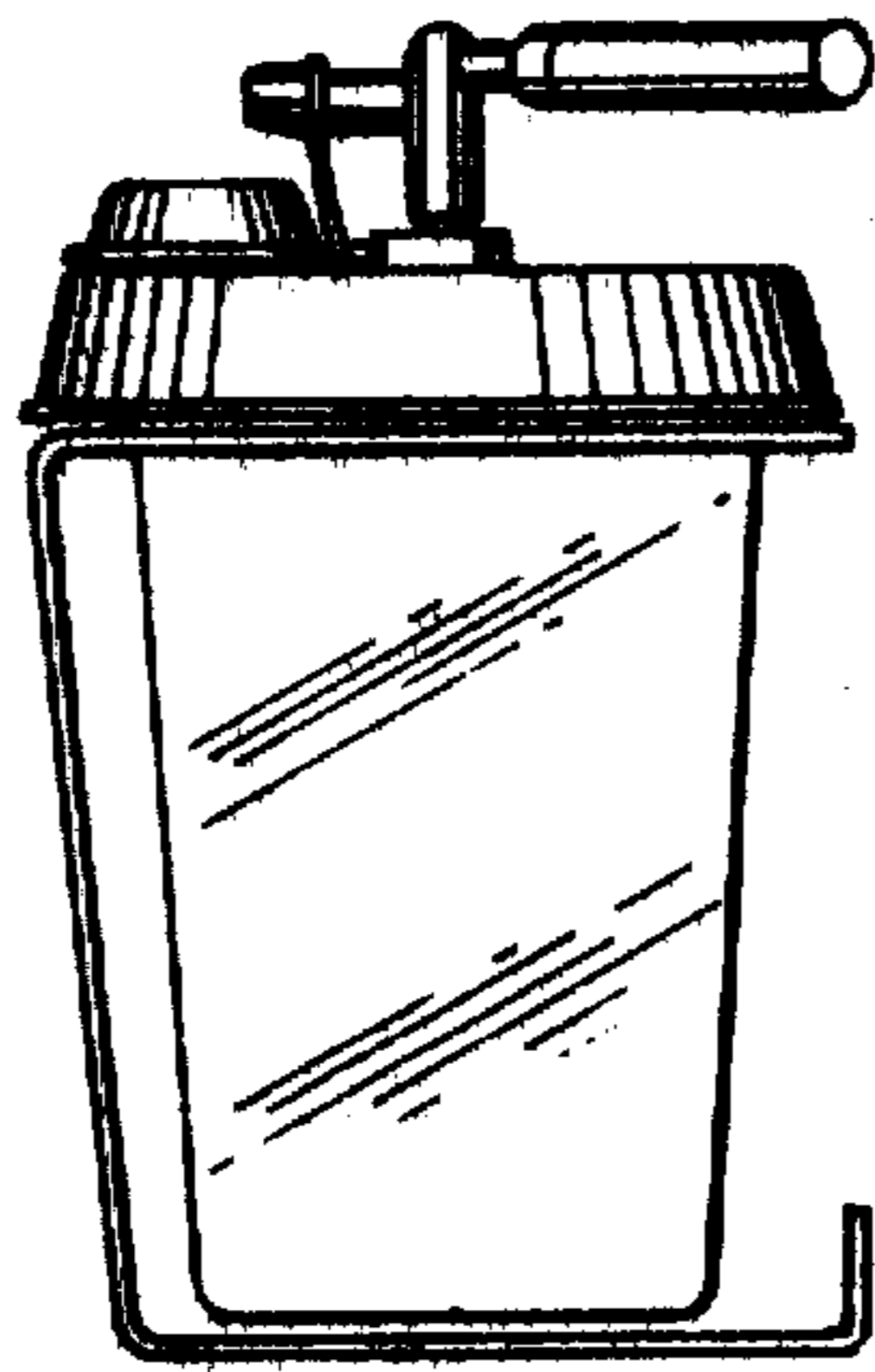


FIG. 5

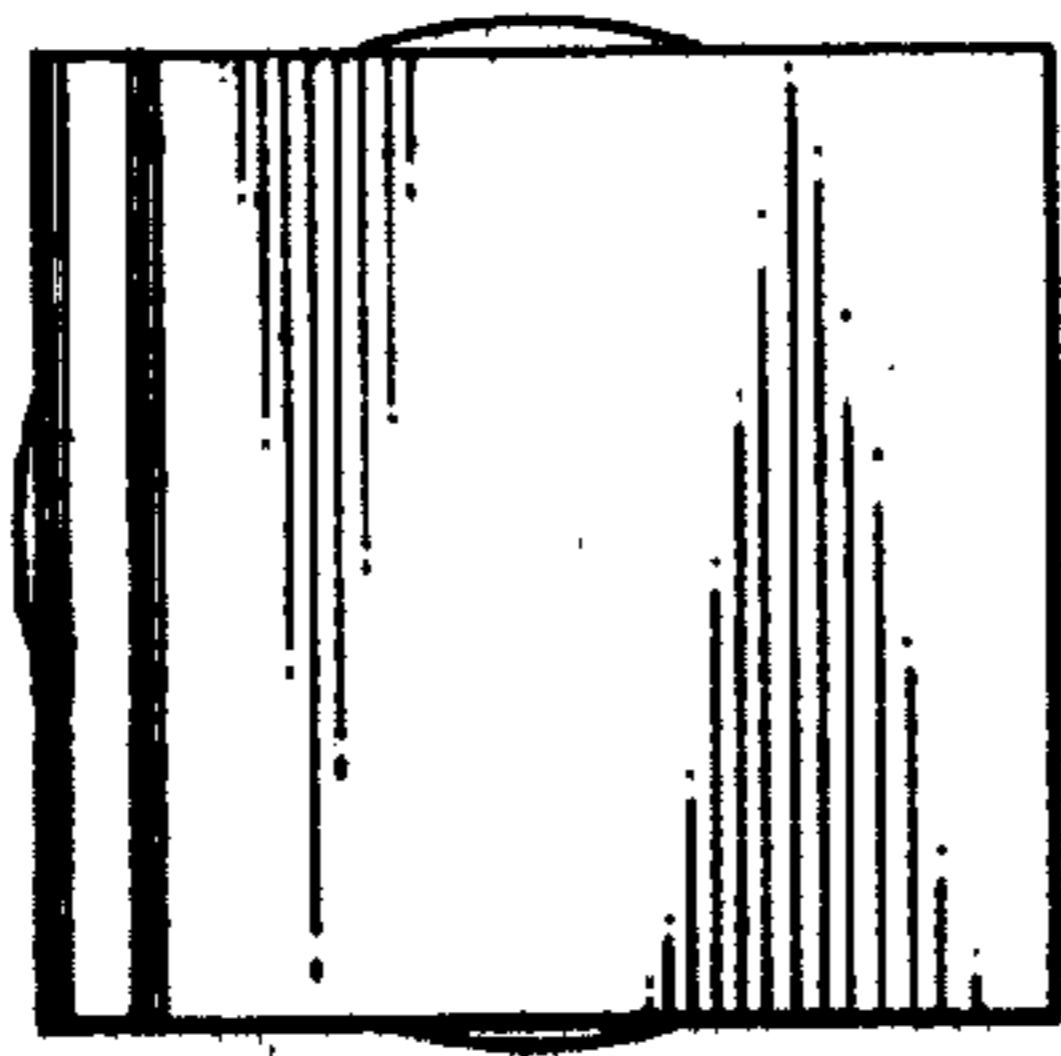


FIG. 6

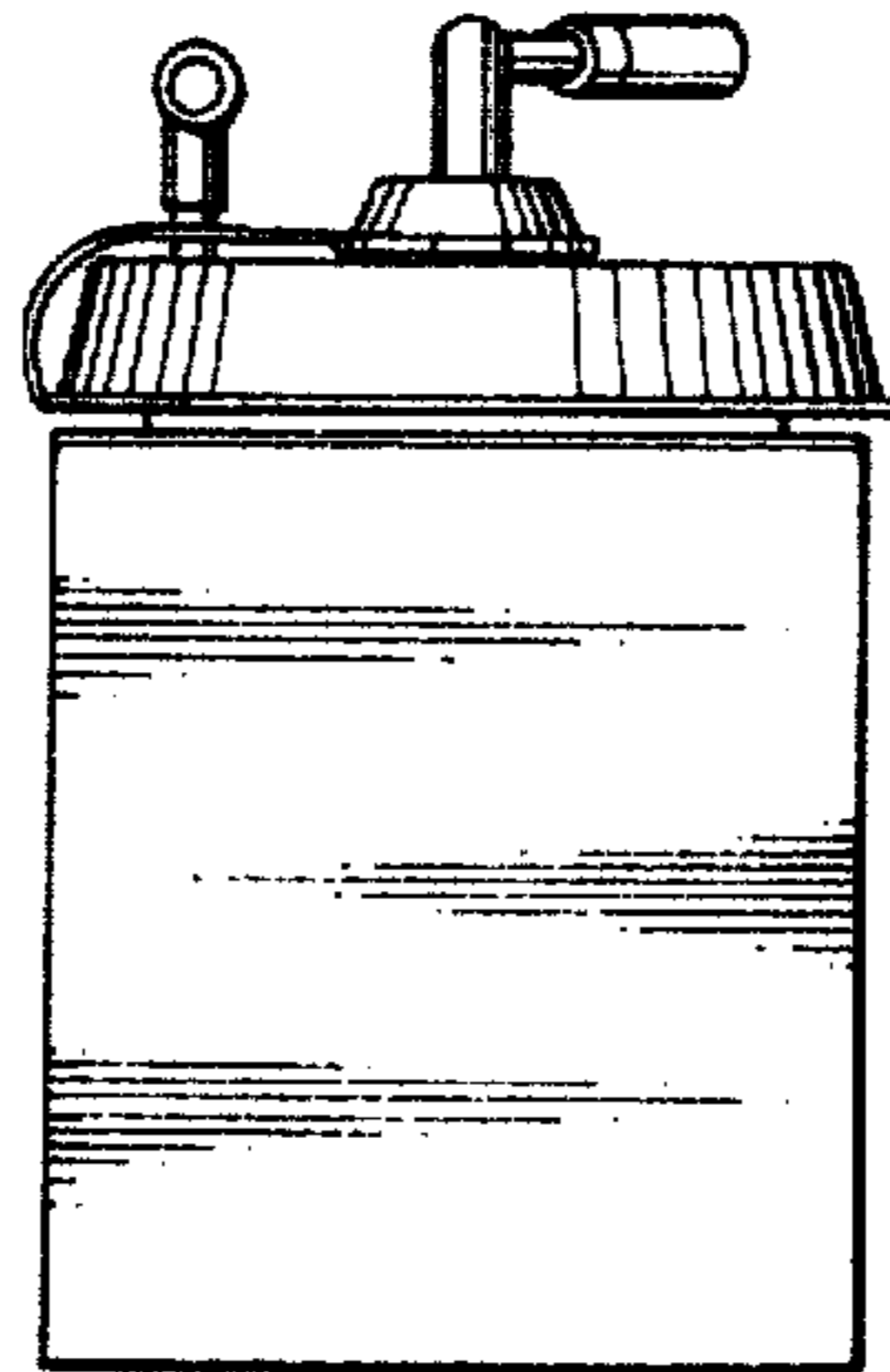


FIG. 7

